

**FRANKE**



**COMMERCIAL**

**2024**

# COMMERCIAL 2024

## PRODUCT CATEGORIES

- 02 Stainless steel sinks
- 16 Type 316 laboratory sinks
- 24 Utility & scullery
- 40 Vanity basins
- 46 Healthcare
- 59 Hand wash basins
- 70 Washroom accessories
- 76 Drinking fountains
- 98 Waste fittings
- 102 High security
- 104 Custom solutions
  
- 106 Faucet hole drilling diagrams
- 107 Care & maintenance
- 108 Corrosion resistance information
  
- 110 Index
- 114 Terms & conditions
- 115 Warranty







# Stainless Steel Sinks



Guaranteed to maintain their functionality over time, Franke Commercial stainless steel sinks remain brilliant and easy to clean. Stainless steel is the material of choice for commercial environments where durability, hygiene, and functionality matter most.

Franke Commercial stainless steel sinks have been engineered for quick and easy installation.

Our patented EZ Torque™ fasteners mean a Franke sink will **install five times faster** than the competition. One-handed drop and drill installation: fasteners come pre-installed on the sink meaning you can simply drop the sink into the countertop and use a drill to tighten the fasteners.

Factory applied rimseal simplifies installation. No need for silicone for the sink rim eliminates a messy step from the install process.



### Satin finish

A #4 satin finished bowl and deck allows scratches to be blended into the grain line. An ideal finish for commercial applications.



### EZ Torque™ fasteners

Install a Franke Commercial topmount sink in two easy steps: drop and drill. Bright red EZ Torque™ fasteners are easy to spot and can be tightened with a drill in seconds.



### Rimseal pre-installed

Installing a Franke Commercial topmount sinks is quick and easy. A factory-applied Rimseal means fewer installation steps and less mess.

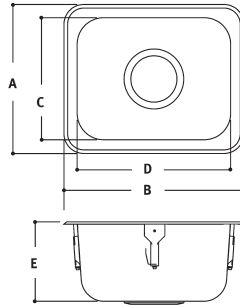


### Waste fitting included

Most Franke Commercial sinks are sold with a stainless steel waste kit included in the box. These high quality waste assemblies are also available separately.



## Single bowl topmount no faucet ledge, 20 gauge

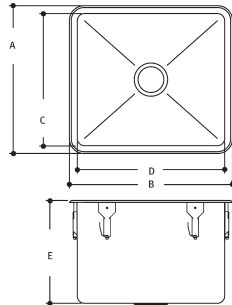


Single compartment self rimming topmount sink, 20 gauge (0.9 mm), type 302 (CNS 18/8) stainless steel, #4 satin finish. Undercoated to reduce condensation and resonance. Factory applied rim seal and factory installed EZ TORQUE™ fasteners. Includes 3 1/2" (89 mm) crumb cup waste assembly with 1 1/2" (DN38) brass tailpiece. Certified to ASME A112.19.3/CSA B45.4.



Accessibility	MODEL	Overall Dimensions		Sink Compartment Dimensions			WASTE LOCATION	GAUGE	PRICE
		A FRONT-BACK	B LEFT-RIGHT	C FRONT-BACK	D LEFT-RIGHT	E DEPTH			
•	S9106-1	11 1/4" (286 mm)	13 5/8" (346 mm)	9 1/4" (235 mm)	11 5/8" (295 mm)	6" (152 mm)	C	20	\$ 336
•	S4206-1	16 1/8" (410 mm)	14 1/8" (359 mm)	14" (356 mm)	12" (305 mm)	6" (152 mm)	CB	20	\$ 418
	S6408-1	18 1/8" (460 mm)	16 1/8" (410 mm)	16" (406 mm)	14" (356 mm)	8" (203 mm)	CB	20	\$ 418
	S6808-1	18 1/8" (460 mm)	20 1/8" (511 mm)	16" (406 mm)	18" (457 mm)	8" (203 mm)	CB	20	\$ 434
	S6810-1	18 1/8" (460 mm)	20 1/8" (511 mm)	16" (406 mm)	18" (457 mm)	10" (254 mm)	C	20	\$ 742
	S7308-1	19 1/4" (489 mm)	25 1/4" (641 mm)	17" (432 mm)	23" (584 mm)	8" (203 mm)	CB	20	\$ 670

## Single bowl topmount no faucet ledge, 18 gauge



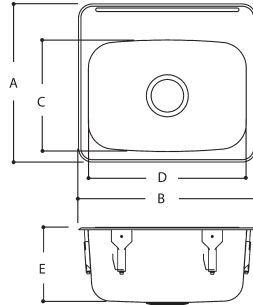
Single compartment self rimming topmount sink, 18 gauge (1.2 mm), type 304 (CNS 18/10) stainless steel, #4 satin finish. Undercoated to reduce condensation and resonance. Factory applied rim seal and factory installed EZ TORQUE™ fasteners. Includes 3 1/2" (89 mm) crumb cup waste assembly with 1 1/2" (DN38) brass tailpiece. Certified to ASME A112.19.3/CSA B45.4.



Accessibility	MODEL	Overall Dimensions		Sink Compartment Dimensions			WASTE LOCATION	GAUGE	PRICE
		A FRONT-BACK	B LEFT-RIGHT	C FRONT-BACK	D LEFT-RIGHT	E DEPTH			
•	AS6105P-1	18 1/8" (460 mm)	23 1/8" (587 mm)	16" (406 mm)	21" (533 mm)	5" (127 mm)	CB	18	\$ 789
	S6410PCB-1	18 1/8" (460 mm)	16 1/8" (410 mm)	16" (406 mm)	14" (356 mm)	10" (254 mm)	CB	18	\$ 742
	S7314P-1	19 5/8" (498 mm)	25 5/8" (651 mm)	17 1/2" (445 mm)	23 1/2" (597 mm)	14" (356 mm)	C	18	\$ 2,476
	S8014P-1	20 1/8" (511 mm)	22 1/8" (562 mm)	18" (457 mm)	20" (508 mm)	14" (356 mm)	C	18	\$ 2,519



## Single bowl topmount with faucet ledge, 20 gauge



Single compartment self rimming topmount sink with faucet ledge, 20 gauge (0.9 mm), type 302 (CNS 18/8) stainless steel, #4 satin finish. Undercoated to reduce condensation and resonance. Factory applied rim seal and factory installed EZ TORQUE™ fasteners. Includes 3 1/2" (89 mm) crumb cup waste assembly with 1 1/2" (DN38) brass tailpiece. Certified to ASME A112.19.3/CSA B45.4.

Faucet hole options (add to part number when ordering):

- 1 1 hole, centered
- 2 2 hole, 4" spread
- 3 3 hole, 8" spread

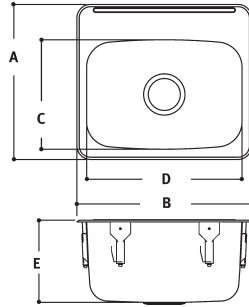


wheelchair icon	MODEL	Overall Dimensions		Sink Compartment Dimensions			WASTE LOCATION	FAUCET HOLE OPTIONS	PRICE
		A FRONT-BACK	B LEFT-RIGHT	C FRONT-BACK	D LEFT-RIGHT	E DEPTH			
•	LBS9106-1	13 3/4" (349 mm)	13 5/8" (346 mm)	9 1/4" (235 mm)	11 5/8" (295 mm)	6" (152 mm)	C	1,2	\$ 336
	LBS9407-1	14 5/16" (364 mm)	16 5/8" (422 mm)	9 1/2" (241 mm)	14 1/2" (368 mm)	7" (178 mm)	C	1,2	\$ 502
•	LBS1306-1	15 7/16" (392 mm)	15 1/8" (384 mm)	11" (279 mm)	13" (330 mm)	6" (152 mm)	C	1,2	\$ 392
	LBS2708-1	17" (432 mm)	19 1/8" (486 mm)	12" (305 mm)	17" (432 mm)	8" (203 mm)	C	1,3	\$ 476
	LBS4607-1	18 13/16" (478 mm)	18 1/8" (460 mm)	14" (356 mm)	16" (406 mm)	7" (178 mm)	C	1,3	\$ 572
•	ALBS6805-1	20 9/16" (522 mm)	20 1/8" (511 mm)	16" (406 mm)	18" (457 mm)	5" (127 mm)	LR	1,3	\$ 532
	LBS6807-1	20 1/2" (521 mm)	20" (508 mm)	16" (406 mm)	18" (457 mm)	7" (178 mm)	CB	1,3	\$ 349
	LBS6807-2	20 1/2" (521 mm)	20" (508 mm)	16" (406 mm)	18" (457 mm)	7" (178 mm)	CB	1,3	\$ 396
	LBS6808-1	20 1/2" (521 mm)	20" (508 mm)	16" (406 mm)	18" (457 mm)	8" (203 mm)	CB	1,3	\$ 445
	LBS6808-2	20 1/2" (521 mm)	20" (508 mm)	16" (406 mm)	18" (457 mm)	8" (203 mm)	CB	1,3	\$ 486
	LBS6810-1	20 9/16" (522 mm)	20 1/8" (511 mm)	16" (406 mm)	18" (457 mm)	10" (254 mm)	C	1,3	\$ 769
	LBS7508-1	22" (559 mm)	17 1/4" (438 mm)	17" (432 mm)	15" (381 mm)	8" (203 mm)	CB	1,3	\$ 545
	LBS7308-1	22 1/16" (560 mm)	25 5/8" (651 mm)	17" (432 mm)	23" (584 mm)	8" (203 mm)	CB	1,3	\$ 712

**Models ending in -1:** 3 1/2" stainless steel crumb cup strainer assembly with 1 1/2" tailpiece included

**Models ending in -2 have overflow:** 3 1/2" stainless steel crumb cup strainer assembly with overflow and 1 1/2" tailpiece included

# Single bowl topmount with faucet ledge, 18 gauge



Single compartment self rimming topmount sink, 18 gauge (1.2 mm), type 304 (CNS 18/10) stainless steel, #4 satin finish. Undercoated to reduce condensation and resonance. Factory applied rim seal and factory installed EZ TORQUE™ fasteners. Includes 3 1/2" (89 mm) crumb cup waste assembly with 1 1/2" (DN38) brass tailpiece. Certified to ASME A112.19.3/CSA B45.4

Faucet hole options (add to part number when ordering):

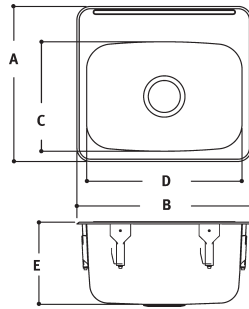
- 1 1 hole, centered
- 2 2 hole, 4" spread
- 3 3 hole, 8" spread



wheelchair icon	MODEL	Overall Dimensions		Sink Compartment Dimensions			WASTE LOCATION	FAUCET HOLE OPTIONS	PRICE
		A FRONT-BACK	B LEFT-RIGHT	C FRONT-BACK	D LEFT-RIGHT	E DEPTH			
•	ALBS9405P-1	14 5/16" (364 mm)	16 5/8" (422 mm)	9 1/2" (241 mm)	14 1/2" (368 mm)	5" (127 mm)	C	1,2	\$ 704
•	ALBS9406P-1	14 5/16" (364 mm)	16 5/8" (422 mm)	9 1/2" (241 mm)	14 1/2" (368 mm)	6" (152 mm)	C	1,2	\$ 757
	LBS9408P-1	14 5/16" (364 mm)	16 5/8" (422 mm)	9 1/2" (241 mm)	14 1/2" (368 mm)	8" (203 mm)	C	1,2	\$ 772
•	ALBS1305P-1	15 7/16" (392 mm)	15 1/8" (384 mm)	11" (279 mm)	13" (330 mm)	5" (127 mm)	C	1,2	\$ 526
•	ALBS1306P-1	15 7/16" (392 mm)	15 1/8" (384 mm)	11" (279 mm)	13" (330 mm)	6" (152 mm)	C	1,2	\$ 526
	LBS1308P-1	15 7/16" (392 mm)	15 1/8" (384 mm)	11" (279 mm)	13" (330 mm)	8" (203 mm)	C	1,2	\$ 737
•	ALBS2706P-1	17" (432 mm)	19 1/8" (486 mm)	12" (305 mm)	17" (432 mm)	6" (152 mm)	C	1,3	\$ 817
	LBS2708P-1	17" (432 mm)	19 1/8" (486 mm)	12" (305 mm)	17" (432 mm)	8" (203 mm)	C	1,3	\$ 830
•	ALBS4405P-1	18 13/16" (478 mm)	16 1/8" (410 mm)	14" (356 mm)	14" (356 mm)	5" (127 mm)	CB	1,3	\$ 763
•	ALBS4406P-1	18 13/16" (478 mm)	16 1/8" (410 mm)	14" (356 mm)	14" (356 mm)	6" (152 mm)	CB	1,3	\$ 779
	LBS4408P-1	18 13/16" (478 mm)	16 1/8" (410 mm)	14" (356 mm)	14" (356 mm)	8" (203 mm)	CB	1,3	\$ 798
	LBS4410P-1	18 13/16" (478 mm)	16 1/8" (410 mm)	14" (356 mm)	14" (356 mm)	10" (254 mm)	CB	1,3	\$ 1,092
•	ALBS4605P-1	18 13/16" (478 mm)	18 1/8" (460 mm)	14" (356 mm)	16" (406 mm)	5" (127 mm)	C	1,3	\$ 788
•	ALBS4606P-1	18 13/16" (478 mm)	18 1/8" (460 mm)	14" (356 mm)	16" (406 mm)	6" (152 mm)	C	1,3	\$ 842
	LBS4608P-1	18 13/16" (478 mm)	18 1/8" (460 mm)	14" (356 mm)	16" (406 mm)	8" (203 mm)	C	1,3	\$ 623
	LBS4610P-1	18 13/16" (478 mm)	18 1/8" (460 mm)	14" (356 mm)	16" (406 mm)	10" (254 mm)	C	1,3	\$ 859
•	ALBS4005P-1	18 13/16" (478 mm)	22 1/8" (562 mm)	14" (356 mm)	20" (508 mm)	5" (127 mm)	CB	1,3	\$ 859
•	ALBS4006P-1	18 13/16" (478 mm)	22 1/8" (562 mm)	14" (356 mm)	20" (508 mm)	6" (152 mm)	CB	1,3	\$ 879
	LBS4008P-1	18 13/16" (478 mm)	22 1/8" (562 mm)	14" (356 mm)	20" (508 mm)	8" (203 mm)	CB	1,3	\$ 896
	LBS4010P-1	18 13/16" (478 mm)	22 1/8" (562 mm)	14" (356 mm)	20" (508 mm)	10" (254 mm)	CB	1,3	\$ 1,187
•	ALBS6406P-1	20 9/16" (522 mm)	16 1/8" (410 mm)	16" (406 mm)	14" (356 mm)	6" (152 mm)	CB	1,3	\$ 872
	LBS6408P-1	20 9/16" (522 mm)	16 1/8" (410 mm)	16" (406 mm)	14" (356 mm)	8" (203 mm)	CB	1,3	\$ 660
	LBS6410PCB-1	20 9/16" (522 mm)	16 1/8" (410 mm)	16" (406 mm)	14" (356 mm)	10" (254 mm)	CB	1,3	\$ 840
•	ALBS6805P-1	20 9/16" (522 mm)	20 1/8" (511 mm)	16" (406 mm)	18" (457 mm)	5" (127 mm)	LR	1,3	\$ 854
•	ALBS6806P-1	20 1/2" (521 mm)	20" (508 mm)	16" (406 mm)	18" (457 mm)	6" (152 mm)	CB	1,3	\$ 872
	LBS6808P-1	20 1/2" (521 mm)	20" (508 mm)	16" (406 mm)	18" (457 mm)	8" (203 mm)	CB	1,3	\$ 536
	LBS6810P-1	20 9/16" (521 mm)	20 1/8" (508 mm)	16" (406 mm)	18" (457 mm)	10" (254 mm)	C	1,3	\$ 880
•	ALBS6105P-1	20 13/16" (529 mm)	23 1/8" (587 mm)	16" (406 mm)	21" (533 mm)	5" (127 mm)	CB	1,3	\$ 974
•	ALBS6106P-1	20 13/16" (529 mm)	23 1/8" (587 mm)	16" (406 mm)	21" (533 mm)	6" (152 mm)	CB	1,3	\$ 991
	LBS6108P-1	20 13/16" (529 mm)	23 1/8" (587 mm)	16" (406 mm)	21" (533 mm)	8" (203 mm)	CB	1,3	\$ 974
	LBS6110P-1	20 13/16" (529 mm)	23 1/8" (587 mm)	16" (406 mm)	21" (533 mm)	10" (254 mm)	CB	1,3	\$ 1,231

more next page >>

## Single bowl topmount with faucet ledge, 18 gauge



Single compartment self rimming topmount sink, 18 gauge (1.2 mm), type 304 (CNS 18/10) stainless steel, #4 satin finish. Undercoated to reduce condensation and resonance. Factory applied rim seal and factory installed EZ TORQUE™ fasteners. Includes 3 1/2" (89 mm) crumb cup waste assembly with 1 1/2" (DN38) brass tailpiece. Certified to ASME A112.19.3/CSA B45.4.

Faucet hole options (add to part number when ordering):

- 1 1 hole, centered
- 3 3 hole, 8" spread



ADA	MODEL	Overall Dimensions		Sink Compartment Dimensions			WASTE LOCATION	FAUCET HOLE OPTIONS	PRICE
		A FRONT-BACK	B LEFT-RIGHT	C FRONT-BACK	D LEFT-RIGHT	E DEPTH			
•	ALBS7006P-1	21 13/16" (554 mm)	22 1/8" (562 mm)	17" (432 mm)	20" (508 mm)	6" (152 mm)	CB	1,3	\$ 947
	LBS7008P-1	21 13/16" (554 mm)	22 1/8" (562 mm)	17" (432 mm)	20" (508 mm)	8" (203 mm)	CB	1,3	\$ 968
•	ALBS7506P-1	22" (559 mm)	17 1/4" (438 mm)	17" (432 mm)	15" (381 mm)	6" (152 mm)	CB	1,3	\$ 809
	LBS7508P-1	22" (559 mm)	17 1/4" (438 mm)	17" (432 mm)	15" (381 mm)	8" (203 mm)	CB	1,3	\$ 827
•	ALBS7305P-1	22 1/16" (560 mm)	25 5/8" (651 mm)	17" (432 mm)	23" (584 mm)	5" (127 mm)	CB	1,3	\$ 974
•	ALBS7306P-1	22 1/16" (560 mm)	25 5/8" (651 mm)	17" (432 mm)	23" (584 mm)	6" (152 mm)	CB	1,3	\$ 991
	LBS7308P-1	22 1/16" (560 mm)	25 5/8" (651 mm)	17" (432 mm)	23" (584 mm)	8" (203 mm)	CB	1,3	\$ 1,011
	LBS7310P-1	22 1/16" (560 mm)	25 5/8" (651 mm)	17" (432 mm)	23" (584 mm)	10" (254 mm)	CB	1,3	\$ 1,298
	LBS7312P-1	22 1/16" (560 mm)	25 5/8" (651 mm)	17 1/2" (445 mm)	23 1/2" (597 mm)	12" (305 mm)	C	1,3	\$ 1,493
	LBS7314P-1	22 9/16" (573 mm)	25 5/8" (651 mm)	17 1/2" (445 mm)	23 1/2" (597 mm)	14" (356 mm)	C	1,3	\$ 2,894
•	ALBS7805P-1	22" (559 mm)	30 1/8" (765 mm)	17" (432 mm)	28" (711 mm)	5" (127 mm)	CB	1,3	\$ 1,177
•	ALBS7806P-1	22" (559 mm)	30 1/8" (765 mm)	17" (432 mm)	28" (711 mm)	6" (152 mm)	CB	1,3	\$ 1,193
	LBS7808P-1	22" (559 mm)	30 1/8" (765 mm)	17" (432 mm)	28" (711 mm)	8" (203 mm)	CB	1,3	\$ 1,209
	LBS8014P-1	23 1/8" (587 mm)	22 1/8" (562 mm)	18" (457 mm)	20" (508 mm)	14" (356 mm)	C	1,3	\$ 2,809

## Double bowl topmount no faucet ledge



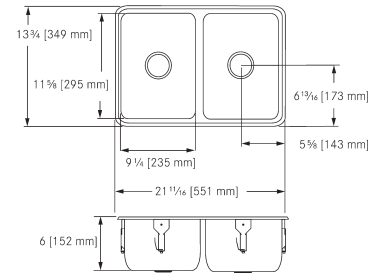
### Double bowl, no faucet ledge, 20 gauge D1906-1

Double compartment self rimming topmount sink, 20 gauge (0.9 mm), type 302 (CNS 18/8) stainless steel. Polished #4 satin finish. Includes 3 1/2" (89 mm) crumb cup waste assemblies with 1 1/2" (DN38) brass tailpiece. Undercoated to reduce condensation and resonance. Factory applied rim seal and factory installed EZ TORQUE™ fasteners. Certified to ASME A112.19.3/CSA B45.4.

Outside dimensions **13 3/4 x 21 1/16"**  
Inside bowl **11 5/8 x 9 1/4 x 6"**  
Waste location **Center**



**\$ 691**



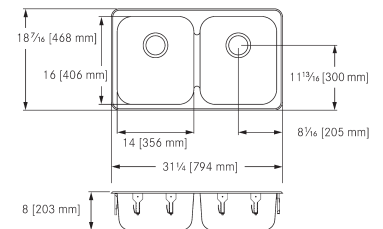
### Double bowl, no faucet ledge, 20 gauge D6408-1

Double compartment self rimming topmount sink, with Spillway partition in 20 gauge (0.9 mm), type type 302 (CNS 18/8) stainless steel. Polished #4 satin finish. Includes 3 1/2" (89 mm) crumb cup waste assemblies with 1 1/2" (DN38) brass tailpiece. Undercoated to reduce condensation and resonance. Factory applied rim seal and factory installed EZ TORQUE™ fasteners. Certified to ASME A112.19.3/CSA B45.4.

Outside dimensions **18 7/16 x 31 1/4"**  
Inside bowl **16 x 14 x 8"**  
Waste location **Center back**



**\$ 684**



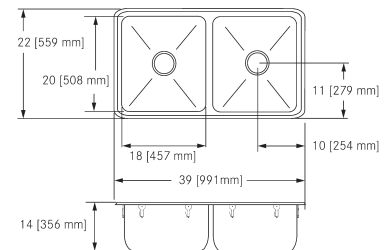
### Double bowl, no faucet ledge, 18 gauge D0814P-1

Double compartment self rimming topmount sink, 18 gauge (1.2 mm), type 304 (CNS 18/10) stainless steel. Polished #4 satin finish. Includes 3 1/2" (89 mm) crumb cup waste assemblies with 1 1/2" (DN38) brass tailpiece. Undercoated to reduce condensation and resonance. Factory applied rim seal and factory installed EZ TORQUE™ fasteners. Certified to ASME A112.19.3/CSA B45.4.

Outside dimensions **22 x 39"**  
Inside bowl **20 x 20 x 14"**  
Waste location **Center**

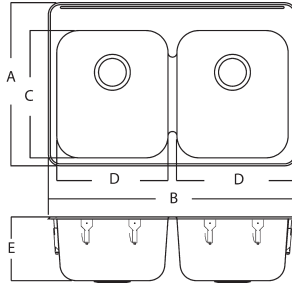


**\$ 4,461**





## Double bowl topmount with faucet ledge, 20 gauge



Double compartment self rimming topmount, 20 gauge (0.9 mm), type 302 (CNS 18/8) stainless steel. #4 satin finish. Includes 3 1/2" (89 mm) crumb cup waste assemblies with 1 1/2" (DN38) brass tailpiece. Undercoated to reduce condensation and resonance. Factory applied rim seal and factory installed EZ TORQUE™ fasteners. Certified to ASME A112.19.3/CSA B45.4

Faucet hole options (add to part number when ordering):

- 1 1 hole, centered over partition
- 3 3 hole, 8" spread, centered over partition

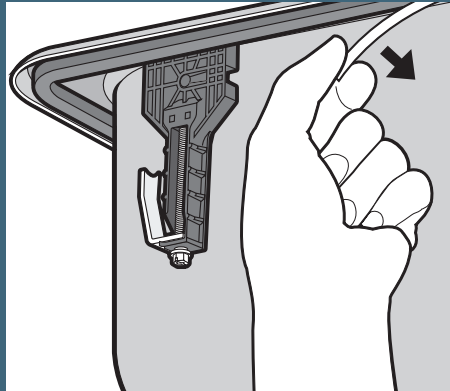


MODEL	Overall Dimensions		Sink Compartment Dimensions			WASTE LOCATION	FAUCET HOLE OPTIONS	PRICE
	A FRONT-BACK	B LEFT-RIGHT	C FRONT-BACK	D LEFT-RIGHT	E DEPTH			
• ALBD6405-1	20 1/2" (521 mm)	31 1/4" (794 mm)	16" (406 mm)	14" (356 mm)	5" (127 mm)	LR,RR	1,3	\$ 754
LBD6407-1	20 1/2" (521 mm)	31 1/4" (794 mm)	16" (406 mm)	14" (356 mm)	7" (178 mm)	CB	1,3	\$ 602
LBD6408-1	20 1/2" (521 mm)	31 1/4" (794 mm)	16" (406 mm)	14" (356 mm)	8" (203 mm)	CB	1,3	\$ 725
LBD6808-1	20 9/16" (522 mm)	39 3/16" (995 mm)	16" (406 mm)	18" (457 mm)	8" (203 mm)	CB	1,3	\$ 973
LBD7508-1	22" (559 mm)	33 1/4" (845 mm)	17" (432 mm)	15" (381 mm)	8" (203 mm)	CB	1,3	\$ 991

## Topmount stainless steel sinks engineered for quick and easy installation

### Factory installed rimseal

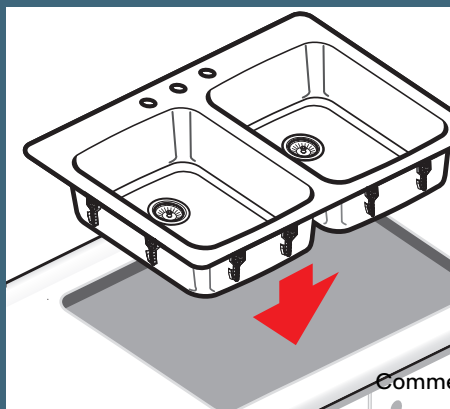
Eliminates the need for silicone



Contractors and installers love the ease of installation of the Franke Rimseal. Simply peel off the backing and the sink is ready to install. No silicone mess.

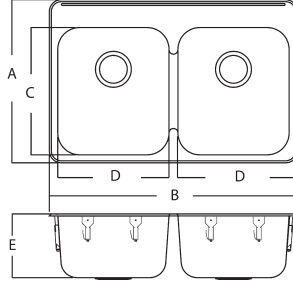
### EZ Torque™ fasteners

Preinstalled on the sink, drop and drill installation



Secure the sink rim to the countertop in two easy steps. Drop the sink into the countertop then tighten with a drill. Clamps are preinstalled to sink, and won't get lost on the job site or left behind in the box.

## Double bowl topmount with faucet ledge, 18 gauge



Double compartment self rimming topmount sink, 18 gauge (1.2 mm), type 304 (CNS 18/10) stainless steel. #4 satin finished. Includes 3 1/2" (89 mm) crumb cup waste assemblies with 1 1/2" (DN38) brass tailpiece. Undercoated to reduce condensation and resonance. Factory applied rim seal and factory installed EZ TORQUE™ fasteners. Certified to ASME A112.19.3/CSA B45.4

Faucet hole options (*add to part number when ordering*):

- 1 1 hole, centered over partition
- 2 2 hole, 8" spread
- 3 3 hole, 8" spread, centered over partition



Accessibility	MODEL	Overall Dimensions		Sink Compartment Dimensions			WASTE LOCATION	FAUCET HOLE OPTIONS	PRICE
		A FRONT-BACK	B LEFT-RIGHT	C FRONT-BACK	D LEFT-RIGHT	E DEPTH			
•	ALBD1305P-1	15 5/16" (389 mm)	29 1/4" (743 mm)	11" (279 mm)	13" (330 mm)	5" (127 mm)	C	1,3	\$ 1,054
	LBD1308P-1	15 13/16" (402 mm)	29 1/4" (743 mm)	11" (279 mm)	13" (330 mm)	8" (203 mm)	C	1,3	\$ 1,085
•	ALBDC182605P-1	18 1/4" (464 mm)	26 5/8" (677 mm)	16" (406 mm)	14" (356 mm)	6" (153 mm)	CB	2	\$ 1,337
•	ALBD4405P-1	18 13/16" (478 mm)	31 1/4" (794 mm)	14" (356 mm)	14" (356 mm)	5" (127 mm)	CB	1,3	\$ 1,237
•	ALBD4406P-1	18 13/16" (478 mm)	31 1/4" (794 mm)	14" (356 mm)	14" (356 mm)	6" (152 mm)	CB	1,3	\$ 1,254
	LBD4408P-1	18 13/16" (478 mm)	31 1/4" (794 mm)	14" (356 mm)	14" (356 mm)	8" (203 mm)	CB	1,3	\$ 1,273
	LBD4410P-1	18 13/16" (478 mm)	31 1/4" (794 mm)	14" (356 mm)	14" (356 mm)	10" (254 mm)	CB	1,3	\$ 1,674
•	ALBD6405P-1	20 1/2" (521 mm)	31 1/4" (794 mm)	16" (406 mm)	14" (356 mm)	5" (127 mm)	RC	1,3	\$ 1,005
•	ALBD6406P-1	20 1/2" (520 mm)	31 1/4" (794 mm)	16" (406 mm)	14" (356 mm)	6" (152 mm)	CB	1,3	\$ 1,021
	LBD6408P-1	20 1/2" (520 mm)	31 1/4" (794 mm)	16" (406 mm)	14" (356 mm)	8" (203 mm)	CB	1,3	\$ 1,037
	LBD6410PCB-1	20 13/16" (529 mm)	31 1/4" (794 mm)	16" (406 mm)	14" (356 mm)	10" (254 mm)	CB	1,3	\$ 1,489
•	ALBD7505P-1	22" (559 mm)	33 1/4" (845 mm)	17" (432 mm)	15" (381 mm)	5" (127 mm)	CB	1,3	\$ 1,413
•	ALBD7506P-1	22" (559 mm)	33 1/4" (845 mm)	17" (432 mm)	15" (381 mm)	6" (152 mm)	CB	1,3	\$ 1,428
	LBD7508P-1	22" (559 mm)	33 1/4" (845 mm)	17" (432 mm)	15" (381 mm)	8" (203 mm)	CB	1,3	\$ 1,450
	LBD7510P-1	22" (559 mm)	33 1/4" (845 mm)	17" (432 mm)	15" (381 mm)	10" (254 mm)	CB	1,3	\$ 1,922
	LBD7310P-1	22" (559 mm)	49 3/8" (1254 mm)	17" (432 mm)	23" (584 mm)	10" (254 mm)	C	1,3	\$ 2,570
	LBD0814P-1	25" (635 mm)	39" (991 mm)	20" (508 mm)	18" (457 mm)	14" (356 mm)	C	1,3	\$ 4,702

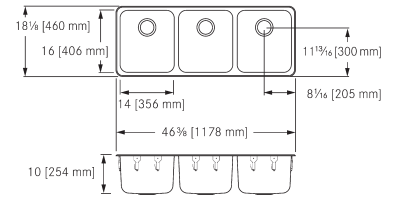
## Triple bowl topmount no faucet ledge



### Triple bowl, no faucet ledge, 18 gauge T6410PCB-1

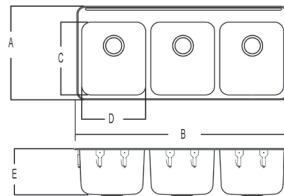
Triple compartment self rimming topmount sink, 18 gauge (1.2 mm), type 304 (CNS 18/10) stainless steel. Polished #4 satin finish. Includes 3 1/2" (89 mm) crumb cup waste assemblies with 1 1/2" (DN38) brass tailpiece. Undercoated to reduce condensation and resonance. Factory applied rim seal and factory installed EZ TORQUE™ fasteners. Certified to ASME A112.19.3/CSA B45.4.

Outside dimensions **18 1/8" x 46 3/8"**  
 Inside bowl **16" x 14" x 10"**  
 Waste location **Center back**



**\$ 2,588**

## Triple bowl topmount with faucet ledge



Triple compartment self rimming topmount sink. Include 3 1/2" (89 mm) crumb cup waste assemblies with 1 1/2" (DN38) brass tailpiece. 20 gauge sink is (0.9 mm), type 302 (CNS 18/8) stainless steel. 18 gauge sinks are (1.2 mm), type 304 (CNS 18/10) stainless steel. Sinks are #4 satin finished, and undercoated to reduce condensation and resonance. Factory applied rim seal and factory installed EZ TORQUE™ fasteners. Certified to ASME A112.19.3/CSA B45.4

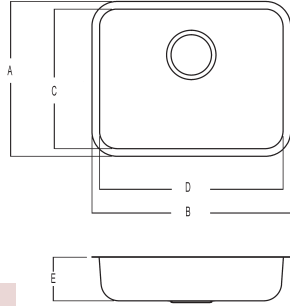
Faucet hole options (add to part number when ordering):

- 1 1 hole
- 3 3 hole, 8" spread



🦿	MODEL	Overall Dimensions		Sink Compartment Dimensions			WASTE LOCATION	GAUGE	PRICE
		A FRONT-BACK	B LEFT-RIGHT	C FRONT-BACK	D LEFT-RIGHT	E DEPTH			
	LBT6407CB-1	20 9/16" (522 mm)	46 3/8" (1178 mm)	16" (406 mm)	14" (356 mm)	7" (178 mm)	CB	20	\$ 1,502
	LBT6410PCB-1	20 9/16" (522 mm)	46 3/8" (1178 mm)	16" (406 mm)	14" (356 mm)	10" (254 mm)	CB	18	\$ 2,706
	LBT8610P-1	22 9/16" (573 mm)	52 3/8" (1330 mm)	18" (457 mm)	23" (584 mm)	10" (254 mm)	C	18	\$ 3,210

## Single bowl undermount, 18 gauge

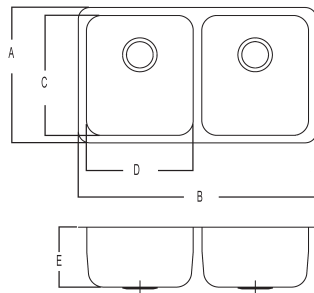


Single compartment undermount sink in 18 gauge (1.2 mm), type 304 (CNS 18/10) stainless steel, #4 satin finished. Undercoated to reduce condensation and resonance. Includes 3 1/2" (89 mm) crumb cup waste assembly with 1 1/2" (DN38) brass tailpiece. Template and installation instructions included. Certified to ASME A112.19.3/CSA B45.4.



ADA	MODEL	Overall Dimensions		Sink Compartment Dimensions			WASTE LOCATION	GAUGE	PRICE
		A FRONT-BACK	B LEFT-RIGHT	C FRONT-BACK	D LEFT-RIGHT	E DEPTH			
•	UCS6105P-1	17 3/4" (451 mm)	22 3/4" (346 mm)	16" (406 mm)	21" (533 mm)	5" (127 mm)	CB	18	\$ 754
•	UCS6805P-1	18 1/8" (460 mm)	20 1/8" (511 mm)	16" (406 mm)	18" (457 mm)	5" (127 mm)	CB	18	\$ 746
	UCS6808P-1	18 1/8" (460 mm)	20" (508 mm)	16" (406 mm)	18" (457 mm)	8" (203 mm)	CB	18	\$ 789

## Double bowl undermount, 18 gauge



Double compartment undermount sink in 18 gauge (1.2 mm), type 304 (CNS 18/10) stainless steel, #4 satin finished. Undercoated to reduce condensation and resonance. Includes 3 1/2" (89 mm) crumb cup waste assemblies with 1 1/2" (DN38) brass tailpiece. Template and installation instructions included. Certified to ASME A112.19.3/CSA B45.4.



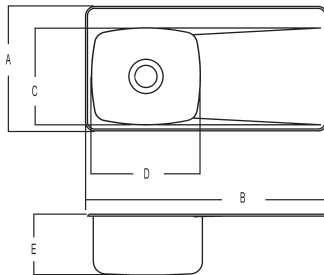
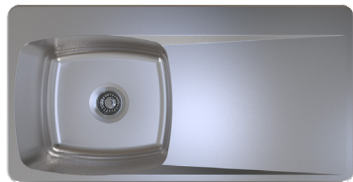
ADA	MODEL	Overall Dimensions		Sink Compartment Dimensions			WASTE LOCATION	GAUGE	PRICE
		A FRONT-BACK	B LEFT-RIGHT	C FRONT-BACK	D LEFT-RIGHT	E DEPTH			
•	UCD6405P-1	17 3/4" (451 mm)	30 7/8" (784 mm)	16" (406 mm)	14" (356 mm)	5" (127 mm)	CB	18	\$ 963
	UCD6408P-1	17 3/4" (451 mm)	30 7/8" (784 mm)	16" (406 mm)	14" (356 mm)	8" (203 mm)	CB	18	\$ 1,009



**Looking for more undermount sinks?  
Franke Commercial no ledge topmount sinks  
can also be undermounted**



## Single bowl topmount drainboard, 18 gauge



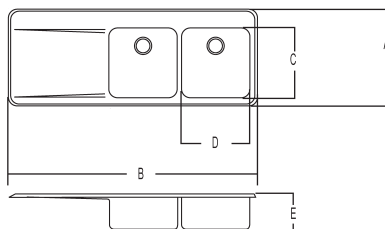
Single compartment self rimming topmount sink with faucet ledge and drainboard. Drainboard slopes toward bowl. 18 gauge (1.2 mm), type 304 (CNS 18/10) stainless steel. Exposed surfaces are #4 satin finished. Includes 3 1/2" (89 mm) crumb cup waste assembly with 1 1/2" (DN38) brass tailpiece. Undercoated to reduce condensation and resonance. Includes factory applied rim seal, cutout template, and factory installed EZ TORQUE™ fasteners. Certified to ASME A112.19.3/CSA B45.4.



Faucet hole options (*add to part number when ordering*):  
**-1** 1 hole, centered  
**-3** 3 hole, 8" spread

wheelchair icon	MODEL	Overall Dimensions		Sink Compartment Dimensions			WASTE LOCATION	FAUCET HOLE OPTIONS	PRICE
		A FRONT-BACK	B LEFT-RIGHT	C FRONT-BACK	D LEFT-RIGHT	E DEPTH			
	LBSDBL6408P-1	20 5/8" (524 mm)	36" (914 mm)	16" (406 mm)	14" (356 mm)	8" (203 mm)	CB	1,3	\$ 3,322
	LBSDBR6408P-1	20 5/8" (524 mm)	36" (914 mm)	16" (406 mm)	14" (356 mm)	8" (203 mm)	CB	1,3	\$ 3,322
	LBSDBL6810P-1	20 9/16" (522 mm)	40" (1016 mm)	16" (406 mm)	18" (457 mm)	10" (254 mm)	C	1,3	\$ 3,420
	LBSDBR6810P-1	20 9/16" (522 mm)	40" (1016 mm)	16" (406 mm)	18" (457 mm)	10" (254 mm)	C	1,3	\$ 3,420

## Double bowl topmount drainboard, 18 gauge



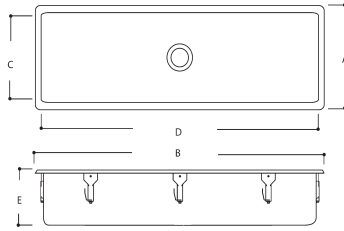
Double compartment self rimming topmount sink with faucet ledge and drainboard. Drainboard slopes toward bowl. 18 gauge (1.2 mm), type 304 (CNS 18/10) stainless steel, #4 satin finish. Includes 3 1/2" (89 mm) crumb cup waste assembly with 1 1/2" (DN38) brass tailpiece. Undercoated to reduce condensation and resonance. Includes waste assemblies, factory applied rim seal, cutout template, and factory installed EZ TORQUE™ fasteners. Certified to ASME A112.19.3/CSA B45.4.



Faucet hole options (*add to part number when ordering*):  
**-1** 1 hole, centered  
**-3** 3 hole, 8" spread

wheelchair icon	MODEL	Overall Dimensions		Sink Compartment Dimensions			WASTE LOCATION	FAUCET HOLE OPTIONS	PRICE
		A FRONT-BACK	B LEFT-RIGHT	C FRONT-BACK	D LEFT-RIGHT	E DEPTH			
	LBDDBL6408P-1	20 1/2" (521 mm)	51" (1295 mm)	16" (406 mm)	14" (356 mm)	8" (203 mm)	CB	1,3	\$ 4,253
	LBDDBR6408P-1	20 1/2" (521 mm)	51" (1295 mm)	16" (406 mm)	14" (356 mm)	8" (203 mm)	CB	1,3	\$ 4,253

## Art room sinks, topmount, no ledge, 18 gauge



Single compartment self rimming topmount sink in 18 gauge (1.2 mm), type 304 (CNS 18/10) stainless steel, #4 satin finished. Undercoated to reduce condensation and resonance. Factory applied rim seal and factory installed EZ TORQUE™ fasteners. Includes waste assembly. Certified to ASME A112.19.3/CSA B45.4.

Models ending in -1: 3 1/2" stainless steel crumb cup strainer assembly with 1 1/2" tailpiece included.

Models ending in -3C: 1 1/2" stainless steel duplex waste assembly with rubber stopper included.

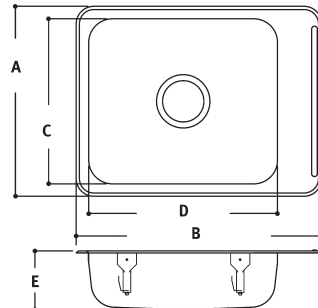


♿	MODEL	Overall Dimensions		Sink Compartment Dimensions			WASTE LOCATION	GAUGE	PRICE
		A FRONT-BACK	B LEFT-RIGHT	C FRONT-BACK	D LEFT-RIGHT	E DEPTH			
	ART36-1	19 1/8" (486 mm)	38 1/8" (969 mm)	17" (432 mm)	36" (914 mm)	8" (203 mm)	C	18	\$ 2,188
	ART36-3C	19 1/8" (486 mm)	38 1/8" (969 mm)	17" (432 mm)	36" (914 mm)	8" (203 mm)	C	18	\$ 2,188
	ART48-1	19 1/8" (486 mm)	50 1/8" (1273 mm)	17" (432 mm)	48" (1219 mm)	8" (203 mm)	C	18	\$ 2,439
	ART48-3C	19 1/8" (486 mm)	50 1/8" (1273 mm)	17" (432 mm)	48" (1219 mm)	8" (203 mm)	C	18	\$ 2,439
	ART60-1	19 1/8" (486 mm)	62 1/8" (1578 mm)	17" (432 mm)	60" (1524 mm)	8" (203 mm)	C	18	\$ 2,900
	ART60-3C	19 1/8" (486 mm)	62 1/8" (1578 mm)	17" (432 mm)	60" (1524 mm)	8" (203 mm)	C	18	\$ 2,900

## Classroom sinks, topmount, various ledge configurations, 18 gauge



RIGHT OR LEFT LEDGE



Single compartment self rimming topmount sink with faucet ledges in 18 gauge (1.2 mm), type 304 (CNS 18/10) stainless steel, #4 satin finished. Undercoated to reduce condensation and resonance. Factory applied rim seal and factory installed EZ TORQUE™ fasteners. Includes a 3 1/2" (89 mm) crumb cup waste assembly with 1 1/2" (DN38) brass tailpiece. Certified to ASME A112.19.3/CSA B45.4.

SEE PAGE 106 FOR STANDARD FAUCET HOLE OPTIONS



LEFT AND RIGHT LEDGES

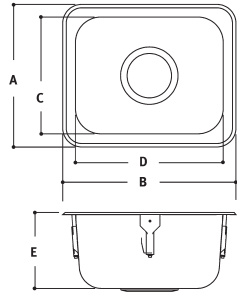


LEFT, BACK AND RIGHT LEDGES



♿	MODEL	Overall Dimensions		Sink Compartment Dimensions			LEDGE LOCATIONS	GAUGE	PRICE
		A FRONT-BACK	B LEFT-RIGHT	C FRONT-BACK	D LEFT-RIGHT	E DEPTH			
	• ALHS4606P-1	16 1/8" (410 mm)	23 1/2" (597 mm)	14" (356 mm)	16" (406 mm)	6" (152 mm)	LEFT AND RIGHT	18	\$ 678
	LHS4608P-1	16 1/8" (410 mm)	23 1/2" (597 mm)	14" (356 mm)	16" (406 mm)	8" (203 mm)	LEFT AND RIGHT	18	\$ 623
	• ALHS7306P-1	19 1/8" (486 mm)	30 1/2" (775 mm)	17" (432 mm)	23" (584 mm)	6" (152 mm)	LEFT AND RIGHT	18	\$ 939
	• ALRS4606P-1	16 1/8" (410 mm)	20 13/16" (529 mm)	14" (356 mm)	16" (406 mm)	6" (152 mm)	LEFT OR RIGHT	18	\$ 678
	• ALBLRS7006P-1	21 13/16" (554 mm)	27 1/2" (699 mm)	17" (432 mm)	20" (508 mm)	6" (152 mm)	LEFT, BACK & RIGHT	18	\$ 939

## Single bowl topmount no faucet ledge type 316 stainless steel

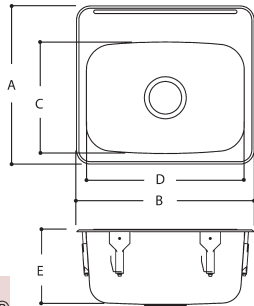


Single compartment self rimming topmount sink without faucet ledge, 18 gauge (1.2 mm), type 316 (EN1.4401 17/12/2) stainless steel, #4 satin finish. Undercoated to reduce condensation and resonance. Factory applied rim seal and factory installed EZ TORQUE™ fasteners. Includes 3 1/2" (89 mm) type 316 waste assembly. Certified to ASME A112.19.3-2008 / CSA B45.4-08.



♿	MODEL	Overall Dimensions		Sink Compartment Dimensions			WASTE LOCATION	GAUGE	PRICE
		A FRONT-BACK	B LEFT-RIGHT	C FRONT-BACK	D LEFT-RIGHT	E DEPTH			
	S9407-316P-1	115/8" (295 mm)	16 5/8" (422 mm)	9 1/2" (241 mm)	14 1/2" (368 mm)	7" (178 mm)	C	18	\$ 715
	S6407-316P-1	18 1/8" (460 mm)	16 1/8" (410 mm)	16" (406 mm)	14" (356 mm)	7" (178 mm)	CB	18	\$ 1,155
	S6808-316P-1	18 1/8" (460 mm)	20 1/8" (511 mm)	16" (406 mm)	18" (457 mm)	8" (203 mm)	CB	18	\$ 1,156
	S6810-316P-1	18 1/8" (460 mm)	20 1/8" (511 mm)	16" (406 mm)	18" (457 mm)	10" (254 mm)	C	18	\$ 1,468

## Single bowl topmount with faucet ledge type 316 stainless steel



Single compartment self rimming topmount sink with faucet ledge, 18 gauge (1.2 mm), type 316 (EN1.4401 17/12/2) stainless steel, #4 satin finish. Undercoated to reduce condensation and resonance. Factory applied rim seal and factory installed EZ TORQUE™ fasteners. Includes type 316 waste assembly. Certified to ASME A112.19.3-2008 / CSA B45.4-08

Faucet hole options (add to part number when ordering):

- 1 1 hole, centered
- 2 2 hole, 8" spread
- 3 3 hole, 8" spread, centered



♿	MODEL	Overall Dimensions		Sink Compartment Dimensions			WASTE LOCATION	FAUCET HOLE OPTIONS	PRICE
		A FRONT-BACK	B LEFT-RIGHT	C FRONT-BACK	D LEFT-RIGHT	E DEPTH			
	LBS9407-316P-1	14 5/16" (364 mm)	16 5/8" (422 mm)	9 1/2" (241 mm)	14 1/2" (368 mm)	7" (178 mm)	C	1,2	\$ 784
	LBS9407-316P-3	14 5/16" (364 mm)	16 5/8" (422 mm)	9 1/2" (241 mm)	14 1/2" (368 mm)	7" (178 mm)	C	1,2	\$ 784
	LBS4607-316P-1	18 13/16" (478 mm)	18 1/8" (460 mm)	14" (356 mm)	16" (406 mm)	7" (178 mm)	C	1,3	\$ 1,008
	LBS4610-316P-1	18 13/16" (478 mm)	18 1/8" (460 mm)	14" (356 mm)	16" (406 mm)	10" (254 mm)	C	1,2,3	\$ 1,224
	LBS6407-316P-1	20 9/16" (522 mm)	16 1/8" (410 mm)	16" (406 mm)	14" (356 mm)	7" (178 mm)	CB	1,3	\$ 1,103
	• ALBS6805-316P-1	20 9/16" (522 mm)	20 1/8" (511 mm)	16" (406 mm)	18" (457 mm)	5" (127 mm)	LB	1,3	\$ 684
	LBS6807-316P-1	20 9/16" (522 mm)	20" (508 mm)	16" (406 mm)	18" (457 mm)	7" (178 mm)	CB	1,3	\$ 1,090
	LBS6808-316P-1	20 9/16" (522 mm)	20" (508 mm)	16" (406 mm)	18" (457 mm)	8" (203 mm)	CB	1,3	\$ 1,187
	LBS6810-316P-1	20 9/16" (522 mm)	20 1/8" (511 mm)	16" (406 mm)	18" (457 mm)	10" (254 mm)	CB	1,3	\$ 1,305
	LBS6810-316P-3	20 9/16" (522 mm)	20 1/8" (511 mm)	16" (406 mm)	18" (457 mm)	10" (254 mm)	LB	1,3	\$ 1,305

Models ending in -1: 3 1/2" type 316 stainless steel crumb cup strainer assembly with 1 1/2" tailpiece included

Models ending in -3: 1 1/2" type 316 stainless steel duplex waste assembly with rubber stopper included



# Type 316 Stainless Sinks

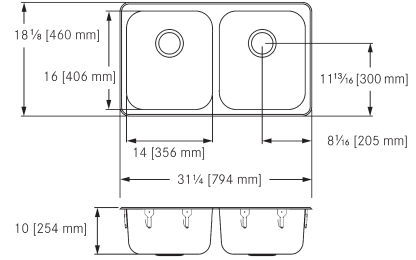




# Double bowl topmount type 316 stainless steel



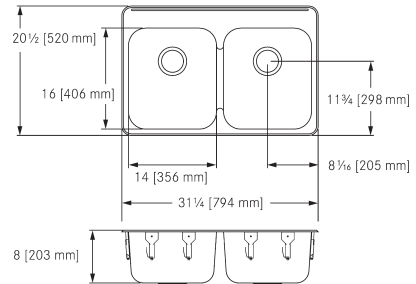
**Double bowl no faucet ledge, T316 D6410-316PCB-1**  
**Gauge 18**  
**TYPE 316** Stainless Steel  
 Outside dimensions **18 1/8 x 31 1/4"**  
 Inside bowl **16 x 14 x 8"**  
 Waste location **Center back**  
 3 1/2" (89 mm) type 316 waste assemblies included



**\$ 2,100**



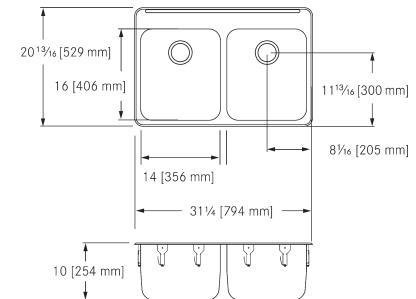
**Double bowl with faucet ledge, T316 LBD6408-316P-1**  
**Gauge 18**  
**TYPE 316** Stainless Steel  
 Outside dimensions **20 1/2 x 31 1/4"**  
 Inside bowl **16 x 14 x 8"**  
 Waste location **Center back**  
 3 1/2" (89 mm) type 316 waste assemblies included



**\$ 1,883**



**Double bowl with faucet ledge, T316 LBD6410-316PCB-1**  
**Gauge 18**  
**TYPE 316** Stainless Steel  
 Outside dimensions **20 1/2 x 31 1/4"**  
 Inside bowl **16 x 14 x 10"**  
 Waste location **Center back**  
 3 1/2" (89 mm) type 316 waste assemblies included



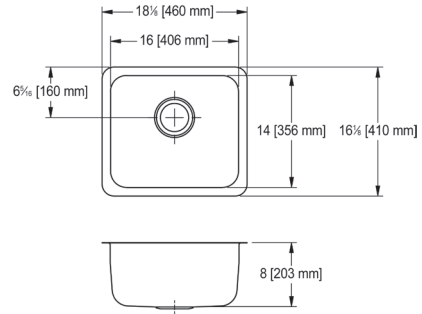
**\$ 2,244**



## Undermount type 316 stainless steel



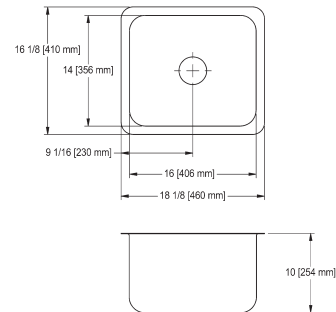
**Single bowl undermount**  
**UCS4608-316P-1**  
 Gauge **18**  
**TYPE 316** Stainless Steel  
 Outside dimensions **16 1/8 x 18 1/8"**  
 Inside bowl **14 x 16 x 8"**  
 Waste location **Center**  
 3 1/2" (89 mm) type 316 crumb cup  
 waste assembly included



**\$ 1,075**



**Single bowl undermount, T316**  
**UCS4610-316P-1**  
 Gauge **18**  
**TYPE 316** Stainless Steel  
 Outside dimensions **16 1/8 x 18 1/8"**  
 Inside bowl **14 x 16 x 10"**  
 Waste location **Center**  
 3 1/2" (89 mm) type 316 crumb cup  
 waste assembly included

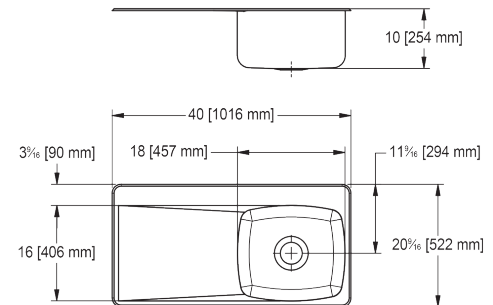


**\$ 1,346**

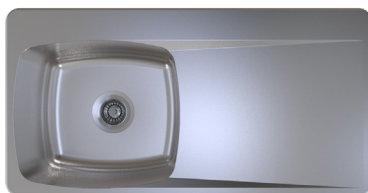
## Single bowl topmount drainboard, type 316



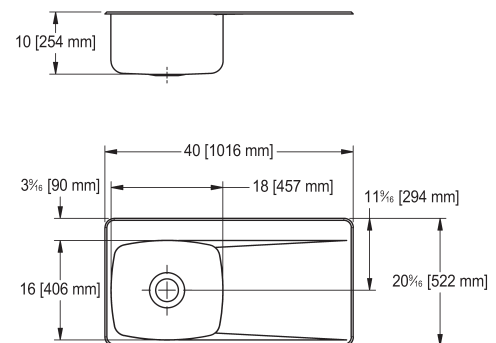
**Drainboard left, T316**  
**LBSDBL6810-316P-1**  
 Gauge **18**  
**TYPE 316** Stainless Steel  
 Outside dimensions **20 9/16 x 40"**  
 Inside bowl **16 x 18 x 10"**  
 Waste location **Center**  
 3 1/2" (89 mm) type 316 crumb cup  
 waste assembly included



**\$ 4,259**

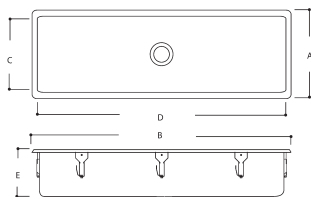


**Drainboard right, T316**  
**LBSDBR6810-316P-1**  
 Gauge **18**  
**TYPE 316** Stainless Steel  
 Outside dimensions **20 9/16 x 40"**  
 Inside bowl **16 x 18 x 10"**  
 Waste location **Center**  
 3 1/2" (89 mm) type 316 crumb cup  
 waste assembly included



**\$ 4,259**

## Art room sinks, topmount, no ledge, type 316



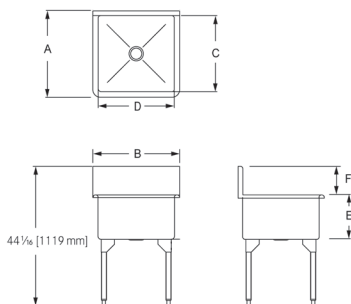
Single compartment self rimming topmount sink, 18 gauge (1.2 mm), type 316 (EN1.4401 17/12/2) stainless steel, #4 satin finish. Undercoated to reduce condensation and resonance. Factory applied rim seal and factory installed EZ TORQUE™ fasteners. Includes type 316 waste assembly. Certified to ASME A112.19.3-2008 / CSA B45.4-08.

Models ending in -1: 3 1/2" type 316 stainless steel crumb cup strainer assembly with 1 1/2" tailpiece included.

Models ending in -3C: 1 1/2" type 316 stainless steel duplex waste assembly with rubber stopper included.

MODEL	Overall Dimensions		Sink Compartment Dimensions			WASTE LOCATION	GAUGE	PRICE
	A FRONT-BACK	B LEFT-RIGHT	C FRONT-BACK	D LEFT-RIGHT	E DEPTH			
ART36-316-1	19 1/8" (486 mm)	38 1/8" (969 mm)	17" (432 mm)	36" (914 mm)	8" (203 mm)	C	18	\$ 3,600
ART36-316-3C	19 1/8" (486 mm)	38 1/8" (969 mm)	17" (432 mm)	36" (914 mm)	8" (203 mm)	C	18	\$ 3,600
ART48-316-1	19 1/8" (486 mm)	50 1/8" (1273 mm)	17" (432 mm)	48" (1219 mm)	8" (203 mm)	C	18	\$ 3,956
ART48-316-3C	19 1/8" (486 mm)	50 1/8" (1273 mm)	17" (432 mm)	48" (1219 mm)	8" (203 mm)	C	18	\$ 3,956
ART60-316-1	19 1/8" (486 mm)	62 1/8" (1578 mm)	17" (432 mm)	60" (1524 mm)	8" (203 mm)	C	18	\$ 4,306
ART60-316-3C	19 1/8" (486 mm)	62 1/8" (1578 mm)	17" (432 mm)	60" (1524 mm)	8" (203 mm)	C	18	\$ 4,306

## Scullery sink, 16 gauge, type 316



Single bowl scullery sink, 16 gauge (1.5 mm), type 316 (EN1.4401 17/12/2) stainless steel, #4 satin finish. Sink compartment sloped to drain. Radius coved corners front and back only. Floor to rim height is 35" (890 mm). Stainless steel tubular legs with adjustable feet. Includes waste assembly in type 316 stainless steel. Certified to ASME A112.19.3-2008 / CSA B45.4-08.

Models ending in -1: 3 1/2" type 316 stainless steel crumb cup strainer assembly with 1 1/2" tailpiece included.

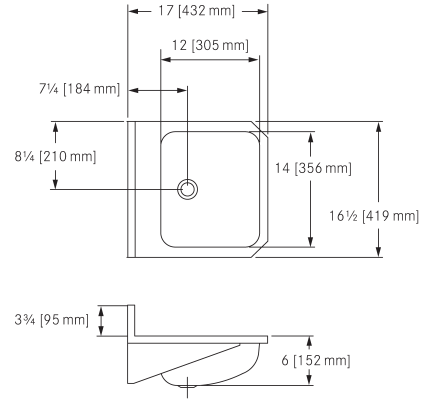
Models ending in -5: 1 1/2" type 316 stainless steel duplex waste assembly with rubber stopper included, 1 1/2" (DN38) tailpiece, standpipe, and guard.

MODEL	Overall Dimensions		Sink Compartment Dimensions				WASTE LOCATION	GAUGE	PRICE
	A FRONT-BACK	B LEFT-RIGHT	C FRONT-BACK	D LEFT-RIGHT	E DEPTH	F BACKSPASH			
SL2424-316-1	27 3/16" (691 mm)	27 3/16" (691 mm)	24" (610 mm)	24" (610 mm)	14" (356 mm)	9" (229 mm)	C	16	\$ 6,480
SL2424-316-5	27 3/16" (691 mm)	27 3/16" (691 mm)	24" (610 mm)	24" (610 mm)	14" (356 mm)	9" (229 mm)	RR	16	\$ 6,830
SL2448-316-1	27 3/16" (691 mm)	51 3/8" (1305 mm)	24" (610 mm)	48" (1219 mm)	14" (356 mm)	9" (229 mm)	C	16	\$ 9,807
SL2448-316-5	27 3/16" (691 mm)	51 3/8" (1305 mm)	24" (610 mm)	48" (1219 mm)	14" (356 mm)	9" (229 mm)	RR	16	\$ 10,684

# Type 316 stainless steel sinks



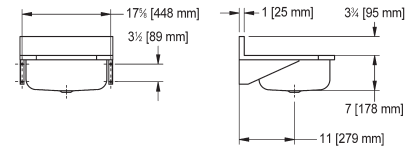
**Wall mount sink, 6" deep, T316**  
**WHB1617-316-3**  
 Gauge 18  
**TYPE 316** Stainless Steel  
 Outside dimensions **16 1/2 x 17"**  
 Inside bowl **14 x 12 x 6"**  
**Waste fitting** type 316, 1 1/2" duplex  
 waste assembly with rubber stopper  
 included  
 Waste location **Center back**



**\$ 1,823**



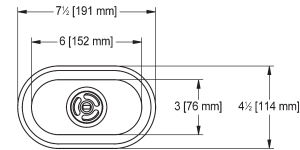
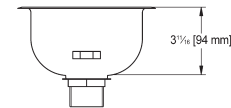
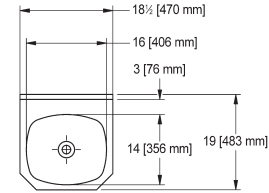
**Wall mount sink, 7" deep, T316**  
**WHB1819-316-3**  
 Gauge 18  
**TYPE 316** Stainless Steel  
 Outside dimensions **18 1/2 x 19"**  
 Inside bowl **16 x 14 x 7"**  
**Waste fitting** type 316, 1 1/2" duplex  
 waste assembly with rubber stopper  
 included  
 Waste location **Center**



**\$ 1,856**



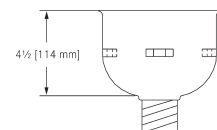
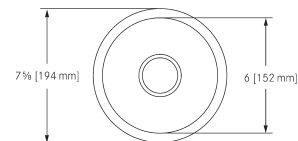
**Cup sink, oval, T316**  
**OC6-316**  
 Gauge 20  
**TYPE 316** Stainless Steel  
 Outside dimensions **7 1/2 x 4 1/2"**  
 Inside bowl **6 x 3 x 3 11/16"**  
**Waste fitting** Integral type 316, 1 1/2"  
 duplex waste assembly included  
 Waste location **Center**



**\$ 391**



**Cup sink, round, T316**  
**RC6-316**  
 Gauge 20  
**TYPE 316** Stainless Steel  
 Outside dimensions **7 5/8 x 7 5/8"**  
 Inside bowl **6 x 6 x 4 1/2"**  
**Waste fitting** Integral type 316, 1 1/2"  
 duplex waste assembly included  
 Waste location **Center**



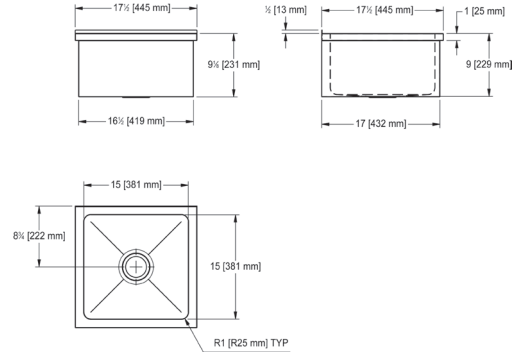
**\$ 396**



# Mop Sinks, type 316



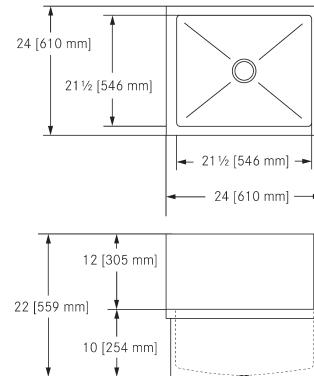
**Single wall installation, T316**  
**FSS151509-316-1**  
 Gauge 16  
**TYPE 316** Stainless Steel  
 Outside dimensions **17 1/2 x 17 1/2"**  
 Inside bowl **15 x 15 x 9 1/8"**  
**Waste fitting 2" IPS grid shower drain**  
 included  
 Waste location **Center**



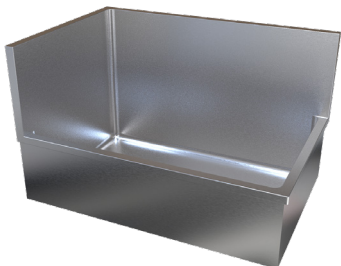
**\$ 4,860**



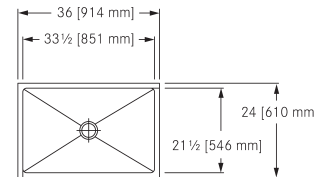
**Corner installation, T316**  
**FSS222210-316-1**  
 Gauge 16  
**TYPE 316** Stainless Steel  
 Outside dimensions **24 x 24"**  
 Inside bowl **21 1/2 x 21 1/2 x 10"**  
**Waste fitting 2" IPS grid shower drain**  
 included  
 Waste location **Center**



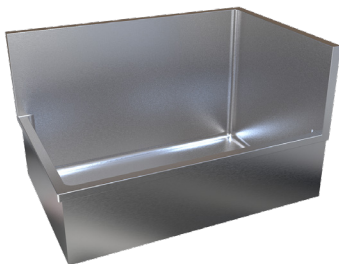
**\$ 7,104**



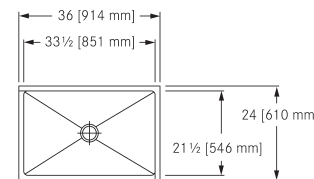
**Corner installation, T316**  
**FSSL223410-316-1**  
 Gauge 16  
**TYPE 316** Stainless Steel  
 Side splash on left  
 Outside dimensions **24 x 36"**  
 Inside bowl **21 1/2 x 33 1/2 x 10"**  
**Waste fitting 2" IPS grid shower drain**  
 included  
 Waste location **Center**



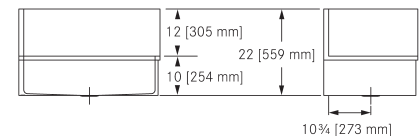
**\$ 9,076**



**Corner installation, T316**  
**FSSR223410-316-1**  
 Gauge 16  
**TYPE 316** Stainless Steel  
 Side splash on right  
 Outside dimensions **24 x 36"**  
 Inside bowl **21 1/2 x 33 1/2 x 10"**  
**Waste fitting 2" IPS grid shower drain**  
 included  
 Waste location **Center**



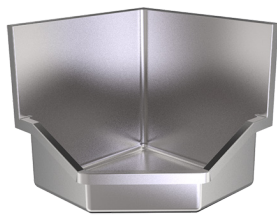
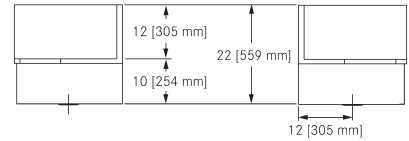
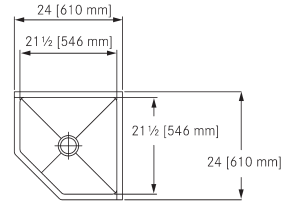
**\$ 9,076**



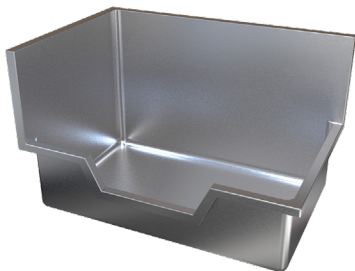
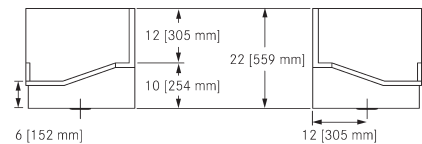
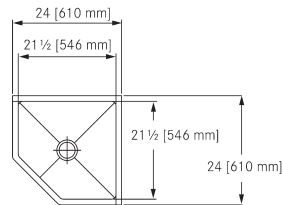
# Mop Sinks, type 316



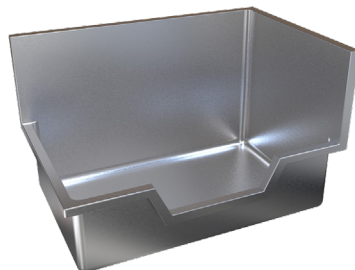
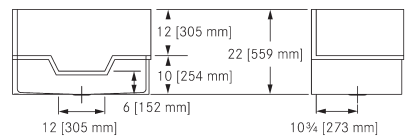
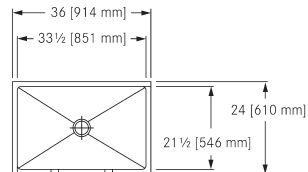
**Corner installation, T316**  
**FSS2210-316-1**  
 Gauge 16  
**TYPE 316** Stainless Steel  
 Outside dimensions **24 x 24"**  
 Inside bowl **21 1/2 x 21 1/2 x 10"**  
**Waste fitting** 2" IPS grid shower drain included  
 Waste location **Center**  
**\$ 10,417**



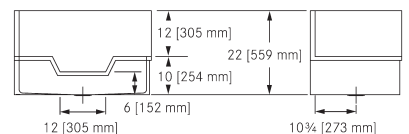
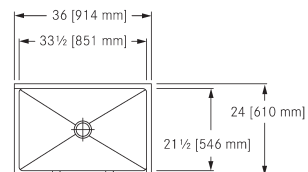
**Corner installation, low front, T316**  
**FSSO2210-316-1**  
 Gauge 16  
**TYPE 316** Stainless Steel  
 Outside dimensions **24 x 24"**  
 Inside bowl **21 1/2 x 21 1/2 x 6"**  
**Waste fitting** 2" IPS grid shower drain included  
 Waste location **Center**  
**\$ 10,417**



**Low front, T316**  
**FSSOL223410-316-1**  
 Gauge 16  
**TYPE 316** Stainless Steel  
 Side splash on left  
 Outside dimensions **24 x 36"**  
 Inside bowl **21 1/2 x 33 1/2 x 6"**  
**Waste fitting** 2" IPS grid shower drain included  
 Waste location **Center**  
**\$ 10,685**



**Low front, T316**  
**FSSOR223410-316-1**  
 Gauge 16  
**TYPE 316** Stainless Steel  
 Side splash on right  
 Outside dimensions **24 x 36"**  
 Inside bowl **21 1/2 x 33 1/2 x 6"**  
**Waste fitting** 2" IPS grid shower drain included  
 Waste location **Center**  
**\$ 10,685**



# Pet wash stations



Pictured left to right: WTS60-1 trough sink, FSSOL223410-316-1 and FSSOR223410-316-1 mop sinks

## Dog washing stations: a must in multifamily developments

### Renters are living for their pets

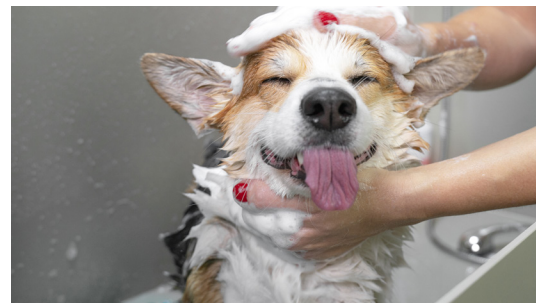
Pet ownership in Canada increased throughout the pandemic and remains at very high levels. Over 60% of households own at least one dog or cat, and that includes apartment and condo dwellers.

### Make space for pets in your floor plan

Most renters consider pet-friendly policies when choosing a place to live. A dog washing room on the main floor provides an accessible space for pet owners to clean off dirty paws or give their furbabies a full bath.

### Options for dogs big and small

Floor-mounted sinks allow large dogs to step into without the need for lifting or guiding onto a ramp. A wall-mounted trough is perfect for smaller dogs to be placed for washing at a comfortable height. High backsplashes help keep the mess contained.





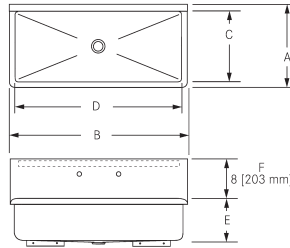
# Utility & Scullery



- 25 Wall trough utility sinks
- 26 Sewage sampling
- 28 Scullery sinks, Classic
- 30 Scullery sinks, Service
- 33 Scullery sinks, Restaurant
- 36 Scullery sinks, World Class
- 39 Mop sinks



## Wall trough utility sink, 16 gauge

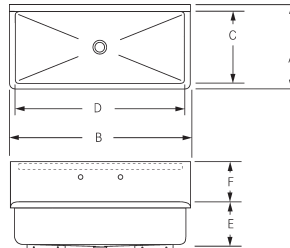


Single compartment wall trough, 16 gauge (1.5 mm), Type 304 (CNS 18/10) stainless steel, #4 satin finish. Radius covered bowl corners, rolled radius rim. Center waste location. 3 1/2" (89 mm) waste fitting with crumb cup strainer included. Certified to ASME A112.19.3-2008 / CSA B45.4-08.



MODEL	Overall Dimensions		Sink Compartment Dimensions				GAUGE	PRICE
	A FRONT-BACK	B LEFT-RIGHT	C FRONT-BACK	D LEFT-RIGHT	E DEPTH	F BACKSPASH		
WTS36-1	18" (457 mm)	36" (914 mm)	14 3/4" (375 mm)	33 1/2" (851 mm)	8" (203 mm)	8" (203 mm)	16	\$ 4,907
WTS48-1	18" (457 mm)	48" (1219 mm)	14 3/4" (375 mm)	44 1/2" (1130 mm)	8" (203 mm)	8" (203 mm)	16	\$ 5,088
WTS60-1	18" (457 mm)	60" (1524 mm)	14 3/4" (375 mm)	56 1/2" (1435 mm)	8" (203 mm)	8" (203 mm)	16	\$ 5,397
WTS72-1	18" (457 mm)	72" (1829 mm)	14 3/4" (375 mm)	68 1/2" (1740 mm)	8" (203 mm)	8" (203 mm)	16	\$ 5,667

## Wall trough utility sink, 14 gauge



Single compartment wall trough, 14 gauge (2.0 mm), Type 304 (CNS 18/10) stainless steel, #4 satin finish. Radius covered bowl corners, rolled radius rim. Center waste location. 3 1/2" (89 mm) waste fitting with crumb cup strainer included. Certified to ASME A112.19.3-2008 / CSA B45.4-08.



MODEL	Overall Dimensions		Sink Compartment Dimensions				GAUGE	PRICE
	A FRONT-BACK	B LEFT-RIGHT	C FRONT-BACK	D LEFT-RIGHT	E DEPTH	F BACKSPASH		
WTS2025-1	20" (508 mm)	25" (635 mm)	16 1/2" (419 mm)	22" (559 mm)	10 1/2" (267 mm)	6" (152 mm)	14	\$ 4,258
WTS2031-1	20" (508 mm)	31" (787 mm)	16 1/2" (419 mm)	28" (711 mm)	10 1/2" (267 mm)	6" (152 mm)	14	\$ 4,470
WTS2036-1	20" (508 mm)	36" (914 mm)	16 1/2" (419 mm)	33" (838 mm)	8" (203 mm)	10" (254 mm)	14	\$ 5,499
WTS2048-1	20" (508 mm)	48" (1219 mm)	16 1/2" (419 mm)	45" (1143 mm)	8" (203 mm)	10" (254 mm)	14	\$ 5,707
WTS2060-1	20" (508 mm)	60" (1524 mm)	16 1/2" (419 mm)	57" (1448 mm)	8" (203 mm)	10" (254 mm)	14	\$ 6,053
WTS2072-1	20" (508 mm)	72" (1829 mm)	16 1/2" (419 mm)	69" (1753 mm)	8" (203 mm)	10" (254 mm)	14	\$ 6,350
WTS2096-1	20" (508 mm)	96" (2438 mm)	16 1/2" (419 mm)	93" (2362 mm)	8" (203 mm)	10" (254 mm)	14	\$ 6,876

# Sewage sampling sinks



## Sewage sampling sink, single bowl no drainboard SSS1827

Single compartment sewage sampling sink. 14 gauge (2.0 mm), type 304 (CNS 18/10) stainless steel. Polished #4 satin finish. Radius covered bowl corners.

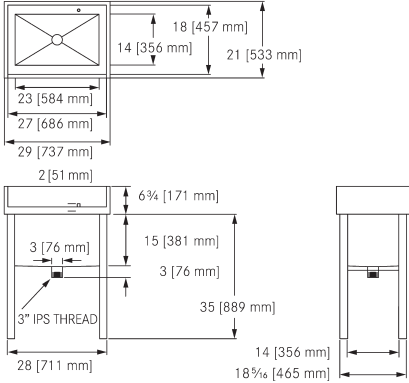
Anti-splash rim. Stainless steel  $\frac{3}{4}$ " (19 mm) O.D. flushing tube with  $\frac{1}{2}$ " (13 mm) NPS connection. 3" x 3" (76 x 76 mm) threaded waste outlet.

Certified to ASME A112.19.3-2008 / CSA B45.4-08.

Please allow 6 weeks for delivery.

Inside bowl **14 x 18 x 15"**

**\$ 16,573**



on legs

14ga

cUPC®



## Sewage sampling sink, single bowl, left drainboard SSS1827SDSL

Single compartment sewage sampling sink left drainboard. 14 gauge (2.0 mm), type 304 (CNS 18/10) stainless steel. Polished #4 satin finish. Radius covered bowl corners.

Anti-splash rim. Stainless steel  $\frac{3}{4}$ " (19 mm) O.D. flushing tube with  $\frac{1}{2}$ " (13 mm) NPS connection. 3 x 3" (76 x 76 mm) threaded waste outlet.

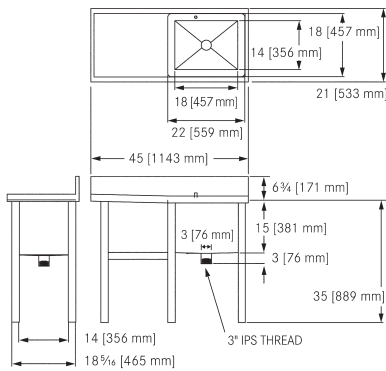
Certified to ASME A112.19.3-2008 / CSA B45.4-08.

Please allow 6 weeks for delivery.

Left drainboard.

Inside bowl **14 x 18 x 15"**

**\$ 17,810**



on legs

14ga

cUPC®

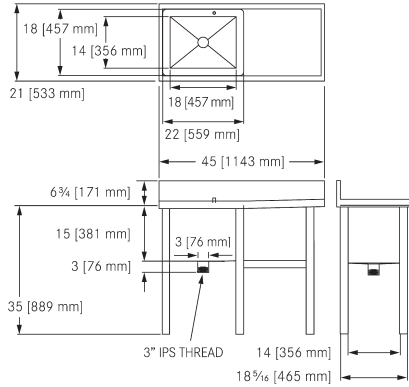
# Sewage sampling sinks



## Sewage sampling sink, single bowl, right drainboard SSS1827SDSR

Single compartment sewage sampling sink right drainboard. 14 gauge (2.0 mm), type 304 (CNS 18/10) stainless steel. Polished #4 satin finish. Radius coved bowl corners. Anti-splash rim. Stainless steel  $\frac{3}{4}$ " (19 mm) O.D. flushing tube with  $\frac{1}{2}$ " (13 mm) NPS connection. 3" x 3" (76 x 76 mm) threaded waste outlet. Certified to ASME A112.19.3-2008 / CSA B45.4-08. Please allow 6 weeks for delivery. Right drainboard. Inside bowl **14 x 18 x 15"**

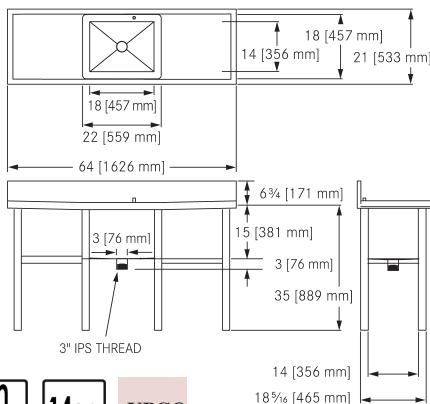
**\$ 17,810**



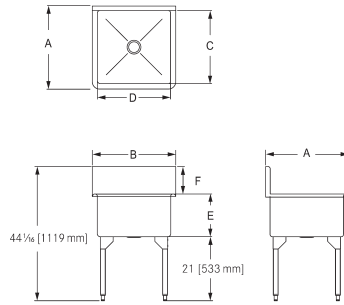
## Sewage sampling sink, left and right drainboards SSS1827DDS

Single compartment sewage sampling sink left and right drainboard. 14 gauge (2.0 mm), type 304 (CNS 18/10) stainless steel. Polished #4 satin finish. Radius coved bowl corners. Anti-splash rim. Stainless steel  $\frac{3}{4}$ " (19 mm) O.D. flushing tube with  $\frac{1}{2}$ " (13 mm) NPS connection. 3" x 3" (76 x 76 mm) threaded waste outlet. Certified to ASME A112.19.3-2008 / CSA B45.4-08. Please allow 6 weeks for delivery. Double drainboards. Inside bowl **14 x 18 x 15"**

**\$ 22,011**



## Scullery sinks, Classic series



Single bowl scullery sink, 16 gauge (1.5 mm), Type 304 (CNS 18/10) stainless steel, #4 satin finish. Sink compartment sloped to drain, radius coved corners front and back only. Floor to rim height 35" (890 mm). Stainless steel tubular legs with adjustable feet. Includes waste assembly.

Standard faucet hole option: 2 hole, 1 1/4" (32 mm) diameter, 8" (203 mm) centerset, positioned 4" (102 mm) below top of backsplash. Custom faucet hole drillings are available on all models.

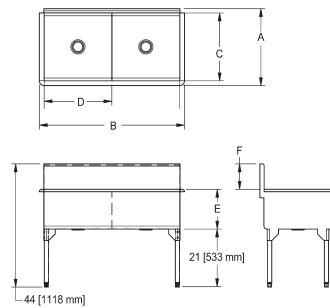
Certified to ASME A112.19.3-2008 / CSA B45.4-08.

Models ending in -1: 3 1/2" crumb cup strainer assembly with 1 1/2" brass tailpiece included.

Models ending in -5: 1 1/2" duplex waste assembly with rubber stopper, 1 1/2" (DN38) brass tailpiece, standpipe, and guard included.



MODEL	Overall Dimensions		Sink Compartment Dimensions				WASTE LOCATION	GAUGE	PRICE
	A FRONT-BACK	B LEFT-RIGHT	C FRONT-BACK	D LEFT-RIGHT	E DEPTH	F BACKSPLASH			
SL2424-1	27 3/16" (691 mm)	27 3/16" (691 mm)	24" (610 mm)	24" (610 mm)	14" (356 mm)	9" (229 mm)	C	16	\$ 3,207
SL2424-5	27 3/16" (691 mm)	27 3/16" (691 mm)	24" (610 mm)	24" (610 mm)	14" (356 mm)	9" (229 mm)	RR	16	\$ 3,335
SL2448-1	27 3/16" (691 mm)	51 3/8" (1305 mm)	24" (610 mm)	48" (1219 mm)	14" (356 mm)	9" (229 mm)	C	16	\$ 4,389
SL2448-5	27 3/16" (691 mm)	51 3/8" (1305 mm)	24" (610 mm)	48" (1219 mm)	14" (356 mm)	9" (229 mm)	RR	16	\$ 4,550



Double bowl scullery sink, 16 gauge (1.5 mm), Type 304 (CNS 18/10) stainless steel, #4 satin finish. Sink compartment sloped to drain, radius coved corners front and back only. Floor to rim height 35" (890 mm). Stainless steel tubular legs with adjustable feet. Includes waste assemblies.

Standard faucet hole option: 2 hole, 8" (203 mm) centerset, positioned 4" (102 mm) below top of backsplash. Custom faucet hole drillings are available on all models.

Certified to ASME A112.19.3-2008 / CSA B45.4-08.

Models ending in -1: 3 1/2" crumb cup strainer assembly with 1 1/2" brass tailpiece included.

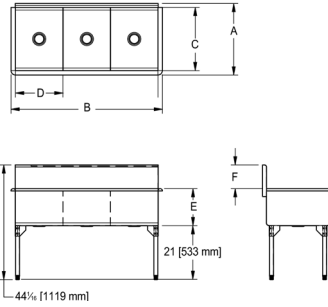
Models ending in -5: 1 1/2" duplex waste assembly with rubber stopper, 1 1/2" (DN38) brass tailpiece, standpipe, and guard included.



MODEL	Overall Dimensions		Sink Compartment Dimensions				WASTE LOCATION	GAUGE	PRICE
	A FRONT-BACK	B LEFT-RIGHT	C FRONT-BACK	D LEFT-RIGHT	E DEPTH	F BACKSPLASH			
DL2448-1	27 3/16" (691 mm)	51 3/8" (1305 mm)	24" (610 mm)	24" (610 mm)	14" (356 mm)	9" (229 mm)	C	16	\$ 5,362
DL2448-5	27 3/16" (691 mm)	51 3/8" (1305 mm)	24" (610 mm)	24" (610 mm)	14" (356 mm)	9" (229 mm)	RR, LR	16	\$ 5,689



# Scullery sinks, Classic series



Triple bowl scullery sink, 16 gauge (1.5 mm), Type 304 (CNS 18/10) stainless steel, #4 satin finish. Sink compartment sloped to drain, radius covered corners front and back only. Floor to rim height 35" (890 mm). Stainless steel tubular legs with adjustable feet. Includes waste assemblies.

Standard faucet hole option: 2 hole, 8" (203 mm) centerset, positioned 4" (102 mm) below top of backsplash. Custom faucet hole drillings are available on all models. Certified to ASME A112.19.3-2008 / CSA B45.4-08

Models ending in -1: 3 1/2" crumb cup strainer assembly with 1 1/2" brass tailpiece included.

Models ending in -5: 1 1/2" duplex waste assembly with rubber stopper, 1 1/2" (DN38) brass tailpiece, standpipe, and guard included.

MODEL	Overall Dimensions		Sink Compartment Dimensions				WASTE LOCATION	GAUGE	PRICE
	A FRONT-BACK	B LEFT-RIGHT	C FRONT-BACK	D LEFT-RIGHT	E DEPTH	F BACKSPLASH			
TL2454-1	27 3/16" (691 mm)	57 3/8" (1457 mm)	24" (610 mm)	18" (457 mm)	14" (356 mm)	9" (229 mm)	C	16	\$ 6,279
TL2454-5	27 3/16" (691 mm)	57 3/8" (1457 mm)	24" (610 mm)	18" (457 mm)	14" (356 mm)	9" (229 mm)	RR, RR, LR	16	\$ 6,789
TL2472-1	27 3/16" (691 mm)	75 3/8" (1915 mm)	24" (610 mm)	24" (610 mm)	14" (356 mm)	9" (229 mm)	C	16	\$ 7,783
TL2472-5	27 3/16" (691 mm)	75 3/8" (1915 mm)	24" (610 mm)	24" (610 mm)	14" (356 mm)	9" (229 mm)	RR, RR, LR	16	\$ 8,256



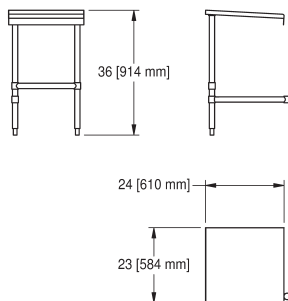
## Removable drainboard for Classic series scullery sinks CL-DB

Removable drainboard for Classic series scullery sinks. 16 gauge (1.5 mm) type 304 stainless steel. Polished to a satin finish. The legs have adjustable feet and are interchangeable such that the product can be installed on either the left or right of the scullery.

Outside dimensions **23 x 24 x 36"**

Install on **left or right**

**\$1,376**



## Scullery sinks, Service series, single compartment



Single bowl scullery sink with square bowl corners. 14 gauge (2.0 mm), Type 304 (CNS 18/10) stainless steel, #4 satin finish. Sink compartment sloped to center drain, radius coved corners front and back only. Finished with rolled rim. Floor to rim height on all models is 35" (890 mm). Stainless steel tubular legs with adjustable feet.

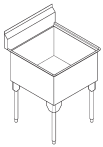
Includes 3 1/2" (89 mm) crumb cup waste assembly with 1 1/2" (DN38) brass tailpiece. Drainboard has same dimensions as sink compartment: 24" x 18" (610 x 457 mm) or 24" x 24" (610 x 610 mm).

Standard faucet hole option: 2 hole, 1 1/4" (32 mm) diameter, 8" (203 mm) centerset, positioned 4" (102 mm) below top of backsplash. Custom faucet hole drillings are available on all models. Please allow 6 weeks for delivery, these models are built to order and non-returnable.

Certified to ASME A112.19.3-2008 / CSA B45.4-08.

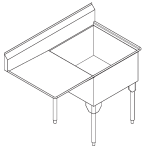


### Single compartment without drainboard



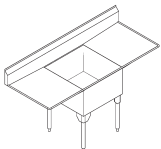
	Overall Dimensions		Sink Compartment Dimensions				D.BOARD LOCATION	GAUGE	PRICE
	FRONT-BACK	LEFT-RIGHT	FRONT-BACK	LEFT-RIGHT	DEPTH	BACKSPLASH			
SSL2418-1	30 1/2" (775 mm)	22 1/4" (565 mm)	24" (610 mm)	18" (457 mm)	14" (356 mm)	9" (229 mm)	-	14	\$ 4,759
SSL2424-1	30 1/2" (775 mm)	28 1/4" (718 mm)	24" (610 mm)	24" (610 mm)	14" (356 mm)	9" (229 mm)	-	14	\$ 5,362

### Single compartment with drainboard left or right



	Overall Dimensions		Sink Compartment Dimensions				D.BOARD LOCATION	GAUGE	PRICE
	FRONT-BACK	LEFT-RIGHT	FRONT-BACK	LEFT-RIGHT	DEPTH	BACKSPLASH			
SSL2418L-1	30 1/2" (775 mm)	40 1/4" (1022 mm)	24" (610 mm)	18" (457 mm)	14" (356 mm)	9" (229 mm)	L	14	\$ 5,960
SSL2418R-1	30 1/2" (775 mm)	40 1/4" (1022 mm)	24" (610 mm)	18" (457 mm)	14" (356 mm)	9" (229 mm)	R	14	\$ 5,960
SSL2424L-1	30 1/2" (775 mm)	52 1/4" (1327 mm)	24" (610 mm)	24" (610 mm)	14" (356 mm)	9" (229 mm)	L	14	\$ 6,558
SSL2424R-1	30 1/2" (775 mm)	52 1/4" (1327 mm)	24" (610 mm)	24" (610 mm)	14" (356 mm)	9" (229 mm)	R	14	\$ 6,558

### Single compartment with drainboard left and right



	Overall Dimensions		Sink Compartment Dimensions				D.BOARD LOCATION	GAUGE	PRICE
	FRONT-BACK	LEFT-RIGHT	FRONT-BACK	LEFT-RIGHT	DEPTH	BACKSPLASH			
SSL2418LR-1	30 1/2" (775 mm)	58 1/4" (1480 mm)	24" (610 mm)	18" (457 mm)	14" (356 mm)	9" (229 mm)	L&R	14	\$ 7,158
SSL2424LR-1	30 1/2" (775 mm)	76 1/4" (1937 mm)	24" (610 mm)	24" (610 mm)	14" (356 mm)	9" (229 mm)	L&R	14	\$ 7,758

## Scullery sinks, Service series, double compartment

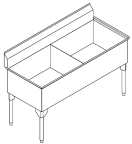


Double bowl scullery sink with square bowl corners. 14 gauge (2.0 mm), Type 304 (CNS 18/10) stainless steel, #4 satin finish. Sink compartments sloped to center drain, radius coved corners front and back only. Finished with rolled rim. Floor to rim height on all models is 35" (890 mm). Stainless steel tubular legs with adjustable feet. Includes 3 1/2" (89 mm) crumb cup waste assemblies with 1 1/2" (DN38) brass tailpiece. Drainboard has same dimensions as sink compartment: 24" x 18" (610 x 457 mm) or 24" x 24" (610 x 610 mm).

Standard faucet hole option: 2 hole, 8" (203 mm) centerset, positioned 4" (102 mm) below top of backsplash. Custom faucet hole drillings are available on all models. Please allow 6 weeks for delivery, these models are built to order and non-returnable. Certified to ASME A112.19.3-2008 / CSA B45.4-08.

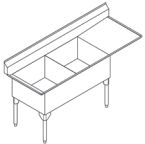


### Double compartment without drainboard



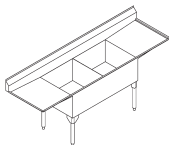
	Overall Dimensions		Sink Compartment Dimensions				D.BOARD LOCATION	GAUGE	PRICE
	FRONT-BACK	LEFT-RIGHT	FRONT-BACK	LEFT-RIGHT	DEPTH	BACKSPLASH			
SDL2436-1	30 1/2" (775 mm)	42 1/4" (1073 mm)	24" (610 mm)	18" (457 mm)	14" (356 mm)	9" (229 mm)	-	14	\$ 7,758
SDL2448-1	30 1/2" (775 mm)	54 1/4" (1378 mm)	24" (610 mm)	24" (610 mm)	14" (356 mm)	9" (229 mm)	-	14	\$ 8,355

### Double compartment with drainboard left or right



	Overall Dimensions		Sink Compartment Dimensions				D.BOARD LOCATION	GAUGE	PRICE
	FRONT-BACK	LEFT-RIGHT	FRONT-BACK	LEFT-RIGHT	DEPTH	BACKSPLASH			
SDL2436L-1	30 1/2" (775 mm)	60 1/4" (1530 mm)	24" (610 mm)	18" (457 mm)	14" (356 mm)	9" (229 mm)	L	14	\$ 8,953
SDL2436R-1	30 1/2" (775 mm)	60 1/4" (1530 mm)	24" (610 mm)	18" (457 mm)	14" (356 mm)	9" (229 mm)	R	14	\$ 8,953
SDL2448L-1	30 1/2" (775 mm)	78 1/4" (1988 mm)	24" (610 mm)	24" (610 mm)	14" (356 mm)	9" (229 mm)	L	14	\$ 9,554
SDL2448R-1	30 1/2" (775 mm)	78 1/4" (1988 mm)	24" (610 mm)	24" (610 mm)	14" (356 mm)	9" (229 mm)	R	14	\$ 9,554

### Double compartment with drainboard left and right



	Overall Dimensions		Sink Compartment Dimensions				D.BOARD LOCATION	GAUGE	PRICE
	FRONT-BACK	LEFT-RIGHT	FRONT-BACK	LEFT-RIGHT	DEPTH	BACKSPLASH			
SDL2436LR-1	30 1/2" (775 mm)	78 1/4" (1988 mm)	24" (610 mm)	18" (457 mm)	14" (356 mm)	9" (229 mm)	L&R	14	\$ 10,150
SDL2448LR-1	30 1/2" (775 mm)	102 1/4" (2597 mm)	24" (610 mm)	24" (610 mm)	14" (356 mm)	9" (229 mm)	L&R	14	\$ 10,752

## Scullery sinks, Service series, triple compartment



Triple bowl scullery sink with square bowl corners. 14 gauge (2.0 mm), Type 304 (CNS 18/10) stainless steel, #4 satin finish. Sink compartments sloped to center drain, radius coved corners front and back only. Finished with rolled rim. Floor to rim height on all models is 35" (890 mm). Stainless steel tubular legs with adjustable feet.

Includes 3 1/2" (89 mm) crumb cup waste assemblies with 1 1/2" (DN38) brass tailpiece. Drainboard has same dimensions as sink compartment: 24" x 18" (610 x 457 mm) or 24" x 24" (610 x 610 mm).

Standard faucet hole option: 2 hole, 8" (203 mm) centerset, positioned 4" (102 mm) below top of backsplash. Custom faucet hole drillings are available on all models.

Please allow 6 weeks for delivery, these models are built to order and non-returnable. Certified to ASME A112.19.3-2008 / CSA B45.4-08.

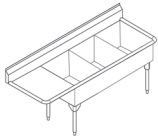


### Triple compartment without drainboard



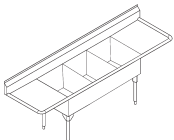
	Overall Dimensions		Sink Compartment Dimensions				D.BOARD LOCATION	GAUGE	PRICE
	FRONT-BACK	LEFT-RIGHT	FRONT-BACK	LEFT-RIGHT	DEPTH	BACKSPLASH			
STL2454-1	30 1/2" (775 mm)	62 1/4" (1581 mm)	24" (610 mm)	18" (457 mm)	14" (356 mm)	9" (229 mm)	-	14	\$ 9,554
STL2472-1	30 1/2" (775 mm)	80 1/4" (2038 mm)	24" (610 mm)	24" (610 mm)	14" (356 mm)	9" (229 mm)	-	14	\$ 12,546

### Triple compartment with drainboard left or right



	Overall Dimensions		Sink Compartment Dimensions				D.BOARD LOCATION	GAUGE	PRICE
	FRONT-BACK	LEFT-RIGHT	FRONT-BACK	LEFT-RIGHT	DEPTH	BACKSPLASH			
STL2454L-1	30 1/2" (775 mm)	80 1/4" (2038 mm)	24" (610 mm)	18" (457 mm)	14" (356 mm)	9" (229 mm)	L	14	\$ 10,752
STL2454R-1	30 1/2" (775 mm)	80 1/4" (2038 mm)	24" (610 mm)	18" (457 mm)	14" (356 mm)	9" (229 mm)	R	14	\$ 10,752
STL2472L-1	30 1/2" (775 mm)	104 1/4" (2648 mm)	24" (610 mm)	24" (610 mm)	14" (356 mm)	9" (229 mm)	L	14	\$ 13,749
STL2472R-1	30 1/2" (775 mm)	104 1/4" (2648 mm)	24" (610 mm)	24" (610 mm)	14" (356 mm)	9" (229 mm)	R	14	\$ 13,749

### Triple compartment with drainboard left and right



	Overall Dimensions		Sink Compartment Dimensions				D.BOARD LOCATION	GAUGE	PRICE
	FRONT-BACK	LEFT-RIGHT	FRONT-BACK	LEFT-RIGHT	DEPTH	BACKSPLASH			
STL2454LR-1	30 1/2" (775 mm)	98 1/4" (2496 mm)	24" (610 mm)	18" (457 mm)	14" (356 mm)	9" (229 mm)	L&R	14	\$ 11,949
STL2472LR-1	30 1/2" (775 mm)	128 1/4" (3258 mm)	24" (610 mm)	24" (610 mm)	14" (356 mm)	9" (229 mm)	L&R	14	\$ 14,943



## Scullery sinks, Restaurant series, single compartment



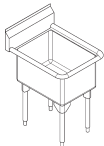
Single bowl scullery sink with radius coved corners, constructed with hygiene and food safety in mind. 16 gauge (1.5 mm), Type 304 (CNS 18/10) stainless steel, #4 satin finish. Sink compartment sloped to center drain, radius coved corners that are easy to clean. Finished with rolled rim. Floor to rim height on all models is 35" (890 mm). Stainless steel tubular legs with adjustable feet. Includes 3 1/2" (89 mm) crumb cup waste assembly with 1 1/2" (DN38) brass tailpiece.

Drainboard has same dimensions as sink compartment: 24" x 18" (610 x 457 mm) or 24" x 24" (610 x 610 mm).

Standard faucet hole option: 2 hole, 8" (203 mm) centerset, positioned 4" (102 mm) below top of backsplash. Custom faucet hole drillings are available on all models. Please allow 6 weeks for delivery, these models are built to order and non-returnable. Product compliance ASME A112.19.3/ CSA B45.4, NSF 2.

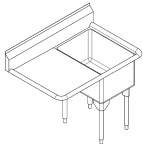


### Single compartment without drainboard



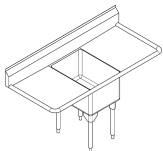
	Overall Dimensions		Sink Compartment Dimensions				D.BOARD LOCATION	GAUGE	PRICE
	FRONT-BACK	LEFT-RIGHT	FRONT-BACK	LEFT-RIGHT	DEPTH	BACKSPLASH			
RSL2418-1	30 1/2" (775 mm)	22 1/4" (565 mm)	24" (610 mm)	18" (457 mm)	14" (356 mm)	9" (229 mm)	-	16	\$ 5,261
RSL2424-1	30 1/2" (775 mm)	28 1/4" (718 mm)	24" (610 mm)	24" (610 mm)	14" (356 mm)	9" (229 mm)	-	16	\$ 5,538

### Single compartment with drainboard left or right



	Overall Dimensions		Sink Compartment Dimensions				D.BOARD LOCATION	GAUGE	PRICE
	FRONT-BACK	LEFT-RIGHT	FRONT-BACK	LEFT-RIGHT	DEPTH	BACKSPLASH			
RSL2418L-1	30 1/2" (775 mm)	40 1/4" (1022 mm)	24" (610 mm)	18" (457 mm)	14" (356 mm)	9" (229 mm)	L	16	\$ 6,500
RSL2418R-1	30 1/2" (775 mm)	40 1/4" (1022 mm)	24" (610 mm)	18" (457 mm)	14" (356 mm)	9" (229 mm)	R	16	\$ 6,500
RSL2424L-1	30 1/2" (775 mm)	52 1/4" (1327 mm)	24" (610 mm)	24" (610 mm)	14" (356 mm)	9" (229 mm)	L	16	\$ 6,777
RSL2424R-1	30 1/2" (775 mm)	52 1/4" (1327 mm)	24" (610 mm)	24" (610 mm)	14" (356 mm)	9" (229 mm)	R	16	\$ 6,777

### Single compartment with drainboard left and right



	Overall Dimensions		Sink Compartment Dimensions				D.BOARD LOCATION	GAUGE	PRICE
	FRONT-BACK	LEFT-RIGHT	FRONT-BACK	LEFT-RIGHT	DEPTH	BACKSPLASH			
RSL2418LR-1	30 1/2" (775 mm)	58 1/4" (1480 mm)	24" (610 mm)	18" (457 mm)	14" (356 mm)	9" (229 mm)	L&R	16	\$ 7,736
RSL2424LR-1	30 1/2" (775 mm)	76 1/4" (1937 mm)	24" (610 mm)	24" (610 mm)	14" (356 mm)	9" (229 mm)	L&R	16	\$ 8,014

## Scullery sinks, Restaurant series, double compartment



Double bowl scullery sink with radius coved corners, constructed with hygiene and food safety in mind. 16 gauge (1.5 mm), Type 304 (CNS 18/10) stainless steel, #4 satin finish. Sink compartments sloped to center drain, radius coved corners that are easy to clean. Finished with rolled rim. Floor to rim height on all models is 35" (890 mm). Stainless steel tubular legs with adjustable feet. Includes 3 1/2" (89 mm) crumb cup waste assemblies with 1 1/2" (DN38) brass tailpiece.

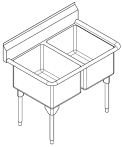
Drainboard has same dimensions as sink compartment: 24" x 18" (610 x 457 mm) or 24" x 24" (610 x 610 mm).

Standard faucet hole option: 2 hole, 8" (203 mm) centerset, positioned 4" (102 mm) below top of backsplash. Custom faucet hole drillings are available on all models. Please allow 6 weeks for delivery, these models are built to order and non-returnable.

Product compliance ASME A112.19.3/ CSA B45.4, NSF 2.

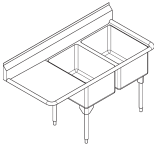


### Double compartment without drainboard



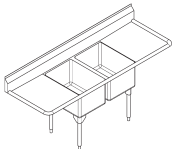
	Overall Dimensions		Sink Compartment Dimensions				D.BOARD LOCATION	GAUGE	PRICE
	FRONT-BACK	LEFT-RIGHT	FRONT-BACK	LEFT-RIGHT	DEPTH	BACKSPLASH			
RDL2436-1	30 1/2" (775 mm)	42 1/4" (1073 mm)	24" (610 mm)	18" (457 mm)	14" (356 mm)	9" (229 mm)	-	16	\$ 8,014
RDL2448-1	30 1/2" (775 mm)	54 1/4" (1378 mm)	24" (610 mm)	24" (610 mm)	14" (356 mm)	9" (229 mm)	-	16	\$ 8,634

### Double compartment with drainboard left or right



	Overall Dimensions		Sink Compartment Dimensions				D.BOARD LOCATION	GAUGE	PRICE
	FRONT-BACK	LEFT-RIGHT	FRONT-BACK	LEFT-RIGHT	DEPTH	BACKSPLASH			
RDL2436L-1	30 1/2" (775 mm)	60 1/4" (1530 mm)	24" (610 mm)	18" (457 mm)	14" (356 mm)	9" (229 mm)	L	16	\$ 9,253
RDL2436R-1	30 1/2" (775 mm)	60 1/4" (1530 mm)	24" (610 mm)	18" (457 mm)	14" (356 mm)	9" (229 mm)	R	16	\$ 9,253
RDL2448L-1	30 1/2" (775 mm)	78 1/4" (1988 mm)	24" (610 mm)	24" (610 mm)	14" (356 mm)	9" (229 mm)	L	16	\$ 9,871
RDL2448R-1	30 1/2" (775 mm)	78 1/4" (1988 mm)	24" (610 mm)	24" (610 mm)	14" (356 mm)	9" (229 mm)	R	16	\$ 9,871

### Double compartment with drainboard left and right



	Overall Dimensions		Sink Compartment Dimensions				D.BOARD LOCATION	GAUGE	PRICE
	FRONT-BACK	LEFT-RIGHT	FRONT-BACK	LEFT-RIGHT	DEPTH	BACKSPLASH			
RDL2436LR-1	30 1/2" (775 mm)	78 1/4" (1988 mm)	24" (610 mm)	18" (457 mm)	14" (356 mm)	9" (229 mm)	L & R	16	\$ 10,491
RDL2448LR-1	30 1/2" (775 mm)	102 1/4" (2597 mm)	24" (610 mm)	24" (610 mm)	14" (356 mm)	9" (229 mm)	L & R	16	\$ 11,109

## Scullery sinks, Restaurant series, triple compartment



Triple bowl scullery sink with radius covered corners, constructed with hygiene and food safety in mind. 16 gauge (1.5 mm), Type 304 (CNS 18/10) stainless steel, #4 satin finish. Sink compartments sloped to center drain, radius covered corners that are easy to clean. Finished with rolled rim. Floor to rim height on all models is 35" (890 mm). Stainless steel tubular legs with adjustable feet. Includes 3 1/2" (89 mm) crumb cup waste assemblies with 1 1/2" (DN38) brass tailpiece.

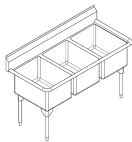
Drainboard has same dimensions as sink compartment: 24" x 18" (610 x 457 mm) or 24" x 24" (610 x 610 mm).

Standard faucet hole option: 2 hole, 8" (203 mm) centerset, positioned 4" (102 mm) below top of backsplash. Custom faucet hole drillings are available on all models.

Please allow 6 weeks for delivery, these models are built to order and non-returnable. Product compliance ASME A112.19.3/ CSA B45.4, NSF 2.

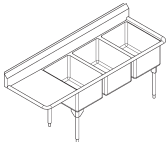


### Triple compartment without drainboard



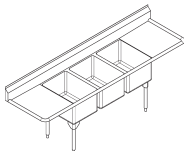
	Overall Dimensions		Sink Compartment Dimensions				D.BOARD LOCATION	GAUGE	PRICE
	FRONT-BACK	LEFT-RIGHT	FRONT-BACK	LEFT-RIGHT	DEPTH	BACKSPLASH			
RTL2454-1	30 1/2" (775 mm)	62 1/4" (1581 mm)	24" (610 mm)	18" (457 mm)	14" (356 mm)	9" (229 mm)	-	16	\$ 12,348
RTL2472-1	30 1/2" (775 mm)	80 1/4" (2038 mm)	24" (610 mm)	24" (610 mm)	14" (356 mm)	9" (229 mm)	-	16	\$ 12,968

### Triple compartment with drainboard left or right



	Overall Dimensions		Sink Compartment Dimensions				D.BOARD LOCATION	GAUGE	PRICE
	FRONT-BACK	LEFT-RIGHT	FRONT-BACK	LEFT-RIGHT	DEPTH	BACKSPLASH			
RTL2454L-1	30 1/2" (775 mm)	80 1/4" (2038 mm)	24" (610 mm)	18" (457 mm)	14" (356 mm)	9" (229 mm)	L	16	\$ 13,585
RTL2454R-1	30 1/2" (775 mm)	80 1/4" (2038 mm)	24" (610 mm)	18" (457 mm)	14" (356 mm)	9" (229 mm)	R	16	\$ 13,585
RTL2472L-1	30 1/2" (775 mm)	104 1/4" (2648 mm)	24" (610 mm)	24" (610 mm)	14" (356 mm)	9" (229 mm)	L	16	\$ 14,203
RTL2472R-1	30 1/2" (775 mm)	104 1/4" (2648 mm)	24" (610 mm)	24" (610 mm)	14" (356 mm)	9" (229 mm)	R	16	\$ 14,203

### Triple compartment with drainboard left and right



	Overall Dimensions		Sink Compartment Dimensions				D.BOARD LOCATION	GAUGE	PRICE
	FRONT-BACK	LEFT-RIGHT	FRONT-BACK	LEFT-RIGHT	DEPTH	BACKSPLASH			
RTL2454LR-1	30 1/2" (775 mm)	98 1/4" (2496 mm)	24" (610 mm)	18" (457 mm)	14" (356 mm)	9" (229 mm)	L & R	16	\$ 14,823
RTL2472LR-1	30 1/2" (775 mm)	128 1/4" (3258 mm)	24" (610 mm)	24" (610 mm)	14" (356 mm)	9" (229 mm)	L & R	16	\$ 15,439

## Scullery sinks, World Class series, single compartment



Single bowl scullery sink with radius covered bowl corners, constructed with hygiene and food safety in mind. 14 gauge (2.0 mm), Type 304 (CNS 18/10) stainless steel, #4 satin finish. Sink compartment sloped to center drain, radius covered corners that are easy to clean. Finished with rolled rim. Floor to rim height on all models is 35" (890 mm). Stainless steel tubular legs with adjustable feet. Includes 3 1/2" (89 mm) crumb cup waste assembly with 1 1/2" (DN38) brass tailpiece.

Drainboard has same dimensions as sink compartment: 24" x 18" (610 x 457 mm) or 24" x 24" (610 x 610 mm).

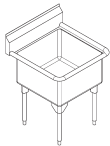
Standard faucet hole option: 2 hole, 8" (203 mm) centerset, positioned 4" (102 mm) below top of backsplash. Custom faucet hole drillings are available on all models.

Please allow 6 weeks for delivery, these models are built to order and non-returnable.

Product compliance ASME A112.19.3/ CSA B45.4, NSF 2.

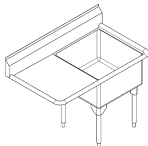


### Single compartment without drainboard



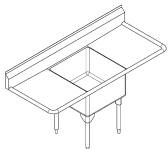
	Overall Dimensions		Sink Compartment Dimensions				D.BOARD LOCATION	GAUGE	PRICE
	FRONT-BACK	LEFT-RIGHT	FRONT-BACK	LEFT-RIGHT	DEPTH	BACKSPLASH			
WSL2418-1	30 1/2" (775 mm)	22 1/4" (565 mm)	24" (610 mm)	18" (457 mm)	14" (356 mm)	9" (229 mm)	-	14	\$ 6,098
WSL2424-1	30 1/2" (775 mm)	28 1/4" (718 mm)	24" (610 mm)	24" (610 mm)	14" (356 mm)	9" (229 mm)	-	14	\$ 6,782

### Single compartment with drainboard left or right



	Overall Dimensions		Sink Compartment Dimensions				D.BOARD LOCATION	GAUGE	PRICE
	FRONT-BACK	LEFT-RIGHT	FRONT-BACK	LEFT-RIGHT	DEPTH	BACKSPLASH			
WSL2418L-1	30 1/2" (775 mm)	40 1/4" (1022 mm)	24" (610 mm)	18" (457 mm)	14" (356 mm)	9" (229 mm)	L	14	\$ 7,461
WSL2418R-1	30 1/2" (775 mm)	40 1/4" (1022 mm)	24" (610 mm)	18" (457 mm)	14" (356 mm)	9" (229 mm)	R	14	\$ 7,461
WSL2424L-1	30 1/2" (775 mm)	52 1/4" (1327 mm)	24" (610 mm)	24" (610 mm)	14" (356 mm)	9" (229 mm)	L	14	\$ 8,143
WSL2424R-1	30 1/2" (775 mm)	52 1/4" (1327 mm)	24" (610 mm)	24" (610 mm)	14" (356 mm)	9" (229 mm)	R	14	\$ 8,143

### Single compartment with drainboard left and right



	Overall Dimensions		Sink Compartment Dimensions				D.BOARD LOCATION	GAUGE	PRICE
	FRONT-BACK	LEFT-RIGHT	FRONT-BACK	LEFT-RIGHT	DEPTH	BACKSPLASH			
WSL2418LR-1	30 1/2" (775 mm)	58 1/4" (1480 mm)	24" (610 mm)	18" (457 mm)	14" (356 mm)	9" (229 mm)	L&R	14	\$ 8,825
WSL2424LR-1	30 1/2" (775 mm)	76 1/4" (1937 mm)	24" (610 mm)	24" (610 mm)	14" (356 mm)	9" (229 mm)	L&R	14	\$ 9,505



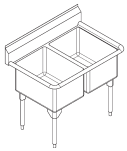
## Scullery sinks, World Class series, double compartment



Double bowl scullery sink with radius covered bowl corners, constructed with hygiene and food safety in mind. 14 gauge (2.0 mm), Type 304 (CNS 18/10) stainless steel, #4 satin finish. Sink compartments sloped to center drain, radius covered corners that are easy to clean. Finished with rolled rim. Floor to rim height on all models is 35" (890 mm). Stainless steel tubular legs with adjustable feet. Includes 3 1/2" (89 mm) crumb cup waste assemblies with 1 1/2" (DN38) brass tailpiece. Drainboard has same dimensions as sink compartment: 24" x 18" (610 x 457 mm) or 24" x 24" (610 x 610 mm). Standard faucet hole option: 2 hole, 8" (203 mm) centerset, positioned 4" (102 mm) below top of backsplash. Custom faucet hole drillings are available on all models. Please allow 6 weeks for delivery, these models are built to order and non-returnable. Product compliance ASME A112.19.3/ CSA B45.4, NSF 2.

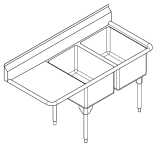


### Double compartment without drainboard



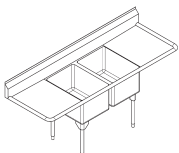
	Overall Dimensions		Sink Compartment Dimensions				D.BOARD LOCATION	GAUGE	PRICE
	FRONT-BACK	LEFT-RIGHT	FRONT-BACK	LEFT-RIGHT	DEPTH	BACKSPLASH			
WDL2436-1	30 1/2" (775 mm)	42 1/4" (1073 mm)	24" (610 mm)	18" (457 mm)	14" (356 mm)	9" (229 mm)	-	14	\$ 9,065
WDL2448-1	30 1/2" (775 mm)	54 1/4" (1378 mm)	24" (610 mm)	24" (610 mm)	14" (356 mm)	9" (229 mm)	-	14	\$ 9,716

### Double compartment with drainboard left or right



	Overall Dimensions		Sink Compartment Dimensions				D.BOARD LOCATION	GAUGE	PRICE
	FRONT-BACK	LEFT-RIGHT	FRONT-BACK	LEFT-RIGHT	DEPTH	BACKSPLASH			
WDL2436L-1	30 1/2" (775 mm)	60 1/4" (1530 mm)	24" (610 mm)	18" (457 mm)	14" (356 mm)	9" (229 mm)	L	14	\$ 10,366
WDL2436R-1	30 1/2" (775 mm)	60 1/4" (1530 mm)	24" (610 mm)	18" (457 mm)	14" (356 mm)	9" (229 mm)	R	14	\$ 10,366
WDL2448L-1	30 1/2" (775 mm)	78 1/4" (1988 mm)	24" (610 mm)	24" (610 mm)	14" (356 mm)	9" (229 mm)	L	14	\$ 11,017
WDL2448R-1	30 1/2" (775 mm)	78 1/4" (1988 mm)	24" (610 mm)	24" (610 mm)	14" (356 mm)	9" (229 mm)	R	14	\$ 11,017

### Double compartment with drainboard left and right



	Overall Dimensions		Sink Compartment Dimensions				D.BOARD LOCATION	GAUGE	PRICE
	FRONT-BACK	LEFT-RIGHT	FRONT-BACK	LEFT-RIGHT	DEPTH	BACKSPLASH			
WDL2436LR-1	30 1/2" (775 mm)	78 1/4" (1988 mm)	24" (610 mm)	18" (457 mm)	14" (356 mm)	9" (229 mm)	L&R	14	\$ 11,668
WDL2448LR-1	30 1/2" (775 mm)	102 1/4" (2597 mm)	24" (610 mm)	24" (610 mm)	14" (356 mm)	9" (229 mm)	L&R	14	\$ 12,318

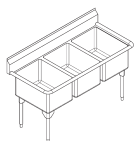
## Scullery sinks, World Class series, triple compartment



Triple bowl scullery sink with radius covered bowl corners, constructed with hygiene and food safety in mind. 14 gauge (2.0 mm), Type 304 (CNS 18/10) stainless steel, #4 satin finish. Sink compartments sloped to center drain, radius covered corners that are easy to clean. Finished with rolled rim. Floor to rim height on all models is 35" (890 mm). Stainless steel tubular legs with adjustable feet. Includes 3 1/2" (89 mm) crumb cup waste assemblies with 1 1/2" (DN38) brass tailpiece. Drainboard has same dimensions as sink compartment: 24" x 18" (610 x 457 mm) or 24" x 24" (610 x 610 mm). Standard faucet hole option: 2 hole, 8" (203 mm) centerset, positioned 4" (102 mm) below top of backsplash. Custom faucet hole drillings are available on all models. Please allow 6 weeks for delivery, these models are built to order and non-returnable. Product compliance ASME A112.19.3/ CSA B45.4, NSF 2.

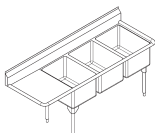


### Triple compartment without drainboard



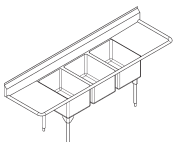
	Overall Dimensions		Sink Compartment Dimensions				D.BOARD LOCATION	GAUGE	PRICE
	FRONT-BACK	LEFT-RIGHT	FRONT-BACK	LEFT-RIGHT	DEPTH	BACKSPLASH			
WTL2454-1	30 1/2" (775 mm)	62 1/4" (1581 mm)	24" (610 mm)	18" (457 mm)	14" (356 mm)	9" (229 mm)	-	14	\$ 14,957
WTL2472-1	30 1/2" (775 mm)	80 1/4" (2038 mm)	24" (610 mm)	24" (610 mm)	14" (356 mm)	9" (229 mm)	-	14	\$ 15,640

### Triple compartment with drainboard left or right



	Overall Dimensions		Sink Compartment Dimensions				D.BOARD LOCATION	GAUGE	PRICE
	FRONT-BACK	LEFT-RIGHT	FRONT-BACK	LEFT-RIGHT	DEPTH	BACKSPLASH			
WTL2454L-1	30 1/2" (775 mm)	80 1/4" (2038 mm)	24" (610 mm)	18" (457 mm)	14" (356 mm)	9" (229 mm)	L	14	\$ 16,322
WTL2454R-1	30 1/2" (775 mm)	80 1/4" (2038 mm)	24" (610 mm)	18" (457 mm)	14" (356 mm)	9" (229 mm)	R	14	\$ 16,322
WTL2472L-1	30 1/2" (775 mm)	104 1/4" (2648 mm)	24" (610 mm)	24" (610 mm)	14" (356 mm)	9" (229 mm)	L	14	\$ 17,002
WTL2472R-1	30 1/2" (775 mm)	104 1/4" (2648 mm)	24" (610 mm)	24" (610 mm)	14" (356 mm)	9" (229 mm)	R	14	\$ 17,002

### Triple compartment with drainboard left and right

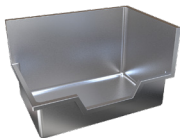


	Overall Dimensions		Sink Compartment Dimensions				D.BOARD LOCATION	GAUGE	PRICE
	FRONT-BACK	LEFT-RIGHT	FRONT-BACK	LEFT-RIGHT	DEPTH	BACKSPLASH			
WTL2454LR-1	30 1/2" (775 mm)	98 1/4" (2496 mm)	24" (610 mm)	18" (457 mm)	14" (356 mm)	9" (229 mm)	L&R	14	\$ 17,685
WTL2472LR-1	30 1/2" (775 mm)	128 1/4" (3258 mm)	24" (610 mm)	24" (610 mm)	14" (356 mm)	9" (229 mm)	L&R	14	\$ 18,366

# Mop utility sinks



## Mop sinks, boot wash stations in Type 316 stainless steel



	Overall Dimensions		Sink Compartment Dimensions			FRONT EDGE STYLE	SPLASH LOCATION	GAUGE	PRICE
	FRONT-BACK	LEFT-RIGHT	FRONT-BACK	LEFT-RIGHT	DEPTH				
FSS151509-316-1	17 1/2" (445 mm)	17 1/2" (445 mm)	15" (381 mm)	15" (381 mm)	9 1/4" (231 mm)	Straight	-	16	\$ 4,860
FSS222210-316-1	24" (610 mm)	24" (610 mm)	21 1/2" (546 mm)	21 1/2" (546 mm)	10" (254 mm)	Straight	L&R	16	\$ 7,104
FSSL223410-316-1	24" (610 mm)	36" (914 mm)	21 1/2" (546 mm)	33 1/2" (851 mm)	10" (254 mm)	Straight	L	16	\$ 9,076
FSSR223410-316-1	24" (610 mm)	36" (914 mm)	21 1/2" (546 mm)	33 1/2" (851 mm)	10" (254 mm)	Square front	R	16	\$ 9,076
FSS2210-316-1	24" (610 mm)	24" (610 mm)	21 1/2" (546 mm)	21 1/2" (546 mm)	10" (254 mm)	Angular front	L&R	16	\$ 10,417
FSSO2210-316-1	24" (610 mm)	24" (610 mm)	21 1/2" (546 mm)	21 1/2" (546 mm)	10" (254 mm)	Drop front	L&R	16	\$ 10,417
FSSOL223410-316-1	24" (610 mm)	36" (914 mm)	21 1/2" (546 mm)	33 1/2" (851 mm)	10" (254 mm)	Drop front	L	16	\$ 10,685
FSSOR223410-316-1	24" (610 mm)	36" (914 mm)	21 1/2" (546 mm)	33 1/2" (851 mm)	10" (254 mm)	Drop front	R	16	\$ 10,685



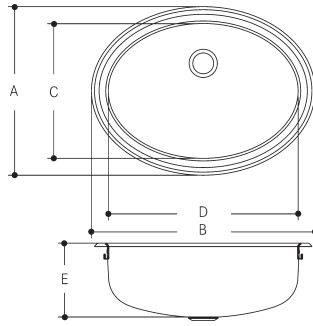
Detailed specification information on MOP SINKS can be found on pages 21 & 22

# Vanity Basins





## Oval vanity basin topmount no faucet ledge



Single compartment self rimming oval topmount vanity basin without faucet ledge. 18 gauge (1.2 mm), Type 304 (CNS 18/10) stainless steel with satin finish bowl, mirror finish rim. Center back waste location. Undercoated to reduce condensation and resonance. Factory applied rim seal. Includes cutout template and installation hardware.

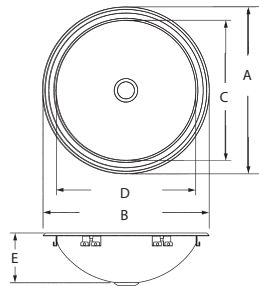
Certified to ASME A112.19.3-2008 / CSA B45.4-08.

Models that end in -5D or -6D include a 1 1/2" (38 mm) waste assembly with rubber stopper.

Models that end in -5 or -6 accept a 1 1/4" (32 mm) waste assembly, not included.

♿	MODEL	Overall Dimensions		Sink Compartment Dimensions			OVER-FLOW	GAUGE	PRICE
		A FRONT-BACK	B LEFT-RIGHT	C FRONT-BACK	D LEFT-RIGHT	E DEPTH			
•	V1114-5	10 7/8" (276 mm)	14 3/8" (365 mm)	8 1/8" (206 mm)	11 5/8" (295 mm)	5" (127 mm)	-	18	\$ 298
•	V1114-5D	10 7/8" (276 mm)	14 3/8" (365 mm)	8 1/8" (206 mm)	11 5/8" (295 mm)	5" (127 mm)	-	18	\$ 311
•	V1418-5	13 3/4" (349 mm)	18 1/4" (464 mm)	11" (279 mm)	15 1/2" (394 mm)	5" (127 mm)	-	18	\$ 366
•	V1418-5D	13 3/4" (349 mm)	18 1/4" (464 mm)	11" (279 mm)	15 1/2" (394 mm)	5" (127 mm)	-	18	\$ 366
•	V1418-6	13 3/4" (349 mm)	18 1/4" (464 mm)	11" (279 mm)	15 1/2" (394 mm)	6" (152 mm)	-	18	\$ 366
•	OV1418-6	13 3/4" (349 mm)	18 1/4" (464 mm)	11" (279 mm)	15 1/2" (394 mm)	6" (152 mm)	Front	18	\$ 431

## Round vanity basin topmount no faucet ledge



Single compartment self rimming round topmount vanity basin without faucet ledge. 18 gauge (1.2 mm), Type 304 (CNS 18/10) stainless steel with satin finish bowl, mirror finish rim. Center back waste location. Undercoated to reduce condensation and resonance. Factory applied rim seal. Includes cutout template and installation hardware.

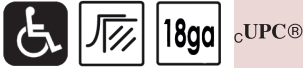
Certified to ASME A112.19.3-2008 / CSA B45.4-08.

Models that end in -5D or -6D include a 1 1/2" (38 mm) waste assembly with rubber stopper.

Models that end in -5 or -6 accept a 1 1/4" (32 mm) waste assembly, not included.

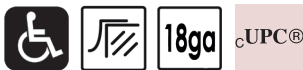
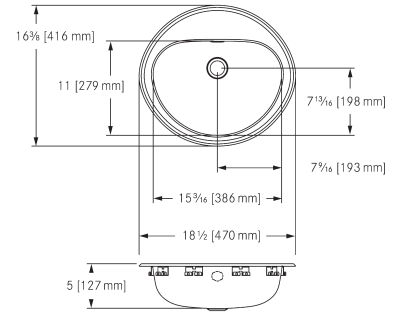
♿	MODEL	Overall Dimensions		Sink Compartment Dimensions			OVER-FLOW	GAUGE	PRICE
		A FRONT-BACK	B LEFT-RIGHT	C FRONT-BACK	D LEFT-RIGHT	E DEPTH			
•	V17-5	16 3/4" (425 mm)	16 3/4" (425 mm)	14" (356 mm)	14" (356 mm)	5" (127 mm)	-	18	\$ 403
•	OV17-5	16 3/4" (425 mm)	16 3/4" (425 mm)	14" (356 mm)	14" (356 mm)	5" (127 mm)	Back	18	\$ 499
•	V17-5D	16 3/4" (425 mm)	16 3/4" (425 mm)	14" (356 mm)	14" (356 mm)	5" (127 mm)	-	18	\$ 412
•	V17-6	16 3/4" (425 mm)	16 3/4" (425 mm)	14" (356 mm)	14" (356 mm)	5" (127 mm)	-	18	\$ 420
•	OV17-6	16 3/4" (425 mm)	16 3/4" (425 mm)	14" (356 mm)	14" (356 mm)	6" (152 mm)	Front	18	\$ 437

## Vanity basin topmount with faucet ledge



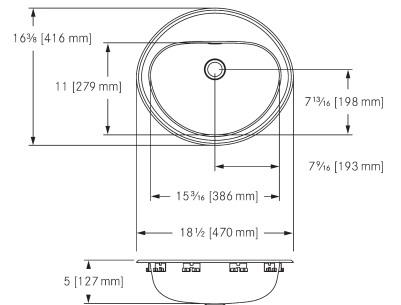
**With ledge, 5" deep, overflow**  
**OV1619-5-1** 1 hole, centered  
**OV1619-5-3** 3 hole, 4" centerset  
 Gauge 18  
 Outside dimensions **16 3/8 x 18 1/2"**  
 Inside bowl **11 x 15 3/16 x 5"**  
 Mirror finished rim, #4 satin finished bowl  
 Integral **overflow** at back of bowl  
 Accepts 1 1/4" (32 mm) overflow waste assembly,  
 not included  
 Waste location **Center back**

**\$ 506**



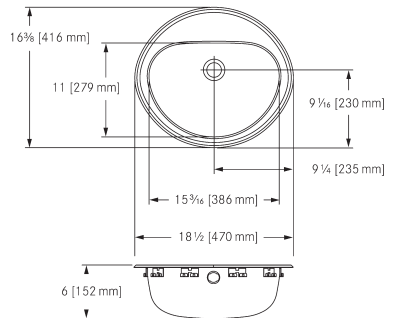
**With ledge, 5" deep, no overflow**  
**V1619-5-1** 1 hole, centered  
**V1619-5-3** 3 hole, 4" centerset  
 Gauge 18  
 Outside dimensions **16 3/8 x 18 1/2"**  
 Inside bowl **11 x 15 3/16 x 5"**  
 Mirror finished rim, #4 satin finished bowl  
 Accepts 1 1/4" (32 mm) waste assembly, not  
 included  
 Waste location **Center back**

**\$ 431**



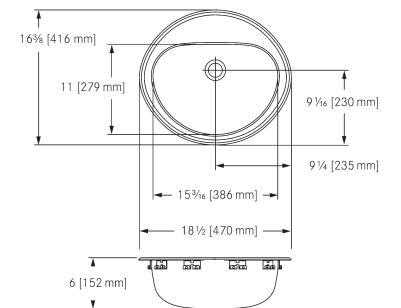
**With ledge, 6" deep, overflow**  
**OV1619-6-1** 1 hole, centered  
**OV1619-6-3** 3 hole, 4" centerset  
 Gauge 18  
 Outside dimensions **16 3/8 x 18 1/2"**  
 Inside bowl **11 x 15 3/16 x 6"**  
 Mirror finished rim, #4 satin finished bowl  
 Integral **overflow** at back of bowl  
 Accepts 1 1/4" (32 mm) overflow waste assembly,  
 not included  
 Waste location **Center back**

**\$ 464**

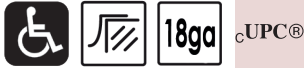


**With ledge, 6" deep, no overflow**  
**V1619-6-1** 1 hole, centered  
**V1619-6-3** 3 hole, 4" centerset  
 Gauge 18  
 Outside dimensions **16 3/8 x 18 1/2"**  
 Inside bowl **11 x 15 3/16 x 6"**  
 Mirror finished rim, #4 satin finished bowl  
 Accepts 1 1/4" (32 mm) waste assembly, not  
 included  
 Waste location **Center back**

**\$ 441**

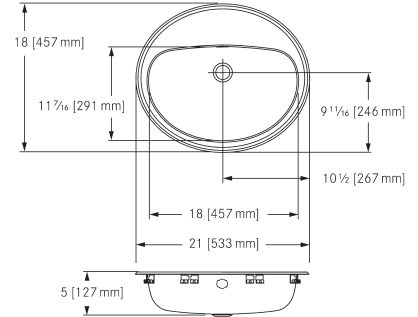


## Vanity basin topmount with faucet ledge



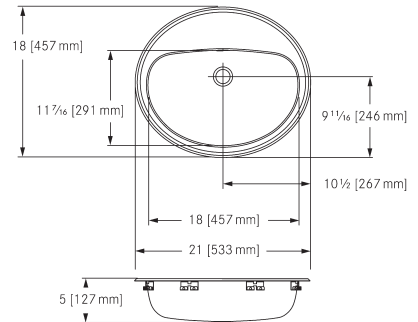
**With ledge, 5" deep, overflow**  
**OV1821-5-1** 1 hole, centered  
**OV1821-5-3** 3 hole, 4" centerset  
 Gauge 18  
 Outside dimensions **18 x 21"**  
 Inside bowl **11<sup>7</sup>/<sub>16</sub> x 18 x 5"**  
 Mirror finished rim, #4 satin finished bowl  
 Integral **overflow** at back of bowl  
 Accepts 1<sup>1</sup>/<sub>4</sub>" (32 mm) overflow waste assembly,  
 not included  
 Waste location **Center back**

**\$ 534**



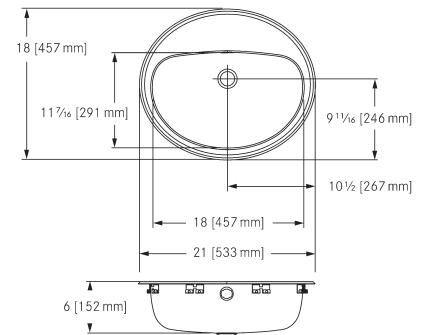
**With ledge, 5" deep, no overflow**  
**V1821-5-1** 1 hole, centered  
**V1821-5-3** 3 hole, 4" centerset  
 Gauge 18  
 Outside dimensions **18 x 21"**  
 Inside bowl **11<sup>7</sup>/<sub>16</sub> x 18 x 5"**  
 Mirror finished rim, #4 satin finished bowl  
 Accepts 1<sup>1</sup>/<sub>4</sub>" (32 mm) waste assembly, not  
 included  
 Waste location **Center back**

**\$ 461**



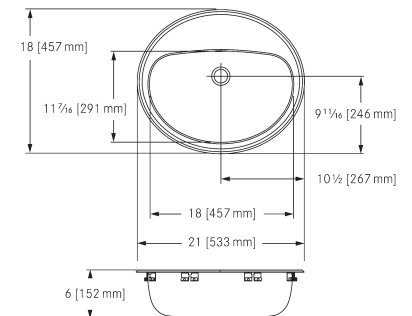
**With ledge, 6" deep, overflow**  
**OV1821-6-1** 1 hole, centered  
**OV1821-6-3** 3 hole, 4" centerset  
 Gauge 18  
 Outside dimensions **18 x 21"**  
 Inside bowl **11<sup>7</sup>/<sub>16</sub> x 18 x 6"**  
 Mirror finished rim, #4 satin finished bowl  
 Integral **overflow** at back of bowl  
 Accepts 1<sup>1</sup>/<sub>4</sub>" (32 mm) overflow waste assembly,  
 not included  
 Waste location **Center back**

**\$ 480**



**With ledge, 6" deep, no overflow**  
**V1821-6-1** 1 hole, centered  
**V1821-6-3** 3 hole, 4" centerset  
 Gauge 18  
 Outside dimensions **18 x 21"**  
 Inside bowl **11<sup>7</sup>/<sub>16</sub> x 18 x 6"**  
 Mirror finished rim, #4 satin finished bowl  
 Accepts 1<sup>1</sup>/<sub>4</sub>" (32 mm) waste assembly, not  
 included  
 Waste location **Center back**

**\$ 459**

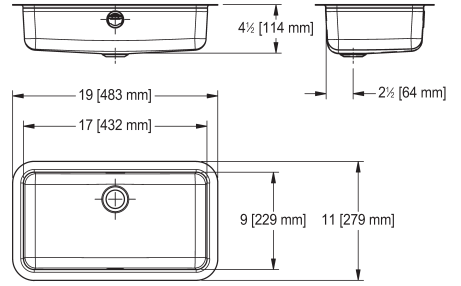


# Vanity basin undermount



**Undermount, rectangular, overflow  
OWB1119U-5**

Gauge **18**  
 Outside dimensions **11 x 19"**  
 Inside bowl **9 x 17 x 4 1/2"**  
 #4 satin finished bowl  
 Integral **overflow** at front of bowl  
 Accepts 1/4" (32 mm) overflow waste  
 assembly, not included  
 Waste location **Center back**

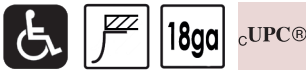
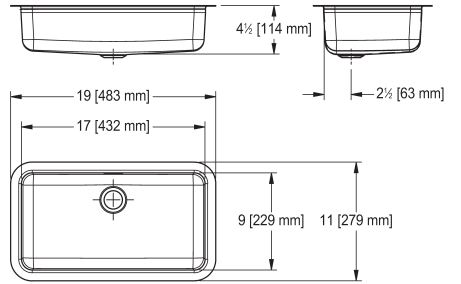


**\$ 531**



**Undermount, rectangular, no overflow  
WB1119U-5**

Gauge **18**  
 Outside dimensions **11 x 19"**  
 Inside bowl **9 x 17 x 4 1/2"**  
 #4 satin finished bowl  
 Accepts 1/4" (32 mm) waste assembly, not  
 included  
 Waste location **Center back**

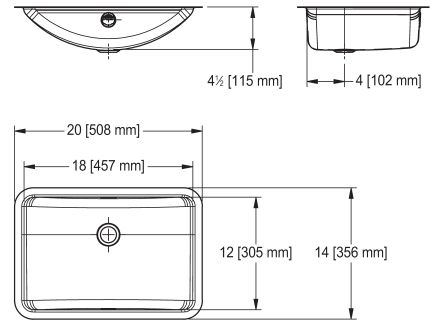


**\$ 487**



**Undermount, U-shaped, overflow  
OWB1420U-5**

Gauge **18**  
 Outside dimensions **14 x 20"**  
 Inside bowl **12 x 18 x 4 1/2"**  
 #4 satin finished bowl  
 Integral **overflow** at back of bowl  
 Accepts 1/4" (32 mm) overflow waste  
 assembly, not included  
 Waste location **Center back**

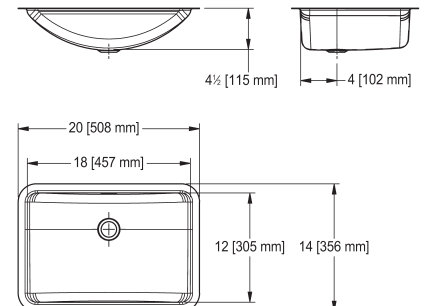


**\$ 725**



**Undermount, U-shaped, no overflow  
WB1420U-5**

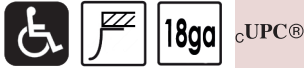
Gauge **18**  
 Outside dimensions **14 x 20"**  
 Inside bowl **12 x 18 x 4 1/2"**  
 #4 satin finished bowl  
 Accepts 1/4" (32 mm) waste assembly,  
 not included  
 Waste location **Center back**



**\$ 681**



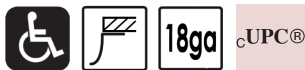
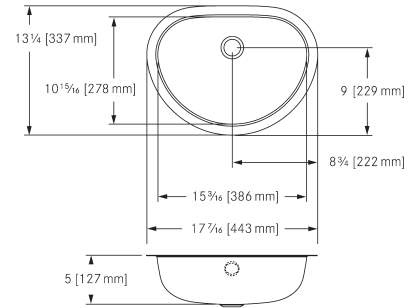
## Vanity basin undermount



### Undermount with overflow OV1317U-5

Gauge **18**  
 Outside dimensions **13 1/4 x 17 7/16"**  
 Inside bowl **10 15/16 x 15 3/16 x 5"**  
 #4 satin finished bowl  
 Integral **overflow** at back of bowl  
 Accepts 1 1/4" (32 mm) overflow waste  
 assembly, not included  
 Waste location **Center back**

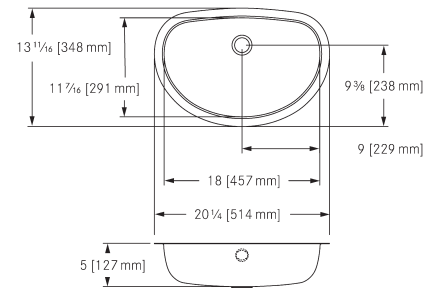
**\$ 614**



### Undermount with overflow OV1420U-5

Gauge **18**  
 Outside dimensions **13 11/16 x 20 1/4"**  
 Inside bowl **11 7/16 x 18 x 5"**  
 #4 satin finished bowl  
 Integral **overflow** at back of bowl  
 Accepts 1 1/4" (32 mm) overflow waste  
 assembly, not included  
 Waste location **Center back**

**\$ 676**



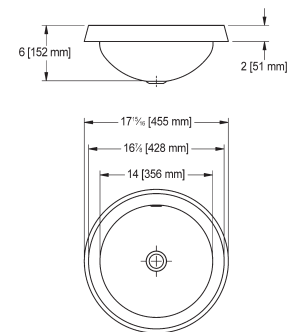
## Semi-recessed topmount vanity basins



### Semi-recessed, 6" deep with overflow OV18SR-6

Gauge **18**  
 Outside dimensions **17 15/16 x 17 15/16"**  
 Inside bowl **14 x 14 x 6"**  
 Mirror finished rim  
 #4 satin finished bowl  
 Integral **overflow** at back of bowl  
 Accepts 1 1/4" (32 mm) overflow waste  
 assembly, not included  
 Waste location **Center**

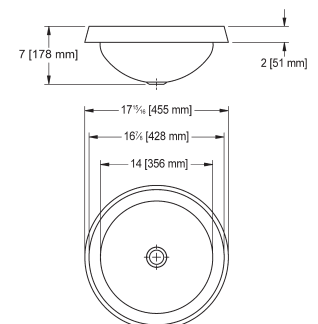
**\$ 431**



### Semi-recessed, 7" deep with overflow OV18SR-7

Gauge **18**  
 Outside dimensions **17 15/16 x 17 15/16"**  
 Inside bowl **14 x 14 x 7"**  
 Mirror finished rim  
 #4 satin finished bowl  
 Integral **overflow** at back of bowl  
 Accepts 1 1/4" (32 mm) overflow waste  
 assembly, not included  
 Waste location **Center**

**\$ 431**



# Healthcare



Pictured: HWSS2321W-00 Medi-flo sink in patient room

47	Medi-flo healthcare sink
48	Ozo-flo faucets
49	Medi-flo & Ozo-flo accessories
50	Nightingale hand hygiene sinks
53	Premium surgical scrub sinks
54	Classic surgical scrub sinks
55	Premium surgical scrub sinks bundles
56	Clinical wash basins
58	Dual mount healthcare sinks

# Medi-flo hand hygiene sink with integrated spout

## Patient room sink with integrated spout for infection control

### HWSS2321W-00

Wall mount healthcare sink with laminar flow spout with integrated electrochemical water disinfection technology. White solid surface hand hygiene sink with removable shroud. Left rear 1 1/2" (DN 40) waste location to prevent water from splashing directly into the waste. An anti-splash feature runs through the center of the sink to greatly reduce splashing. Infrared controls trigger an illuminated laminar flow stream delivering water with dissolved ozone and other mixed oxidants on demand. Flow rate is 5.7 Lpm/1.5 gpm.

Recommended for areas with normal water conductivity above 75 TDS. If unaware of your local water conductivity, please contact customer service and this can easily be determined for you. Recommended water temperature is between 80-95°F (27-35°C). Hand hygiene sinks are specifically designed for hand washing only. They are not recommended as a drinking source, for washing utensils or for draining of medical bags or bedpans.

A plug-in transformer required for generation of mixed oxidants is included. Medi-flo is cUPC certified and is compliant with CSA B45.5-11/IAPMO Z124-2011 and IGC156-2012el. Meets and exceeds various national healthcare standards; ie, Z317/CSAZ8000. Wheelchair accessible: meets ADA, ANSI A117.1 and CSA B651-04. Patent Pending.

Optional: Pre-set thermostatic mixing valve **MEDI-MIX**.  
Optional: In-wall carrier **IWC2104** for quicker installation.

**\$ 5,109**



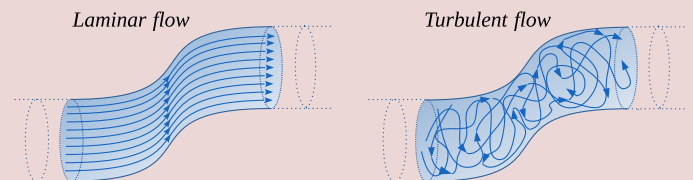
## Medi-flo splash reduction features



- Side splashes to prevent water from splashing out of the sink
- Laminar flow spout
- Infrared sensor turns water on when user places hands inside sink
- Center rib diverts water flow from faucet
- Integral waste, offset drain in rear left position

## Laminar flow spout reduces splashing

Medi-flo delivers water in a laminar flow stream. Laminar flow occurs when water molecules move in an orderly, straight line for a turbulence-free stream.



## Efficacy of electrochemical water disinfection

Pathogen	Efficacy	Contact time	Source
Candida auris	99.9%	10 minutes	Cleveland VA Medical Center
C. difficile spores	64%	20 seconds	EMSL Canada Inc.
Klebsiella pneumoniae	99.99%	30 seconds	EMSL Canada Inc.
Legionella pneumophila	99.99%	5 minutes	EMSL Canada Inc.
MRSA	99.9%	10 minutes	Cleveland VA Medical Center
Pseudomonas	99.9%	10 minutes	Cleveland VA Medical Center

Time kill studies performed by 3rd party laboratories show that electrochemical water disinfection can be effective at reducing certain waterborne pathogens.

# Ozo-flo laminar flow healthcare faucets

Ozo-flo hands-free clinical faucets are ideal for new or retrofit applications where hand wash sinks can benefit from added infection control. The addition of ozone and other mixed oxidants to the water will help keep the sink and waste free of biofilms and bacteria. Faucets are fabricated from Type 316 stainless steel and feature a blue illumination ring indicating activation of ozonation cycle. Control features include a post-wash cycle of 3 seconds to wash soap residue and bacteria down the drain. A daily purge cycle prevents water from stagnating in the drain lines for continuous waste disinfection.

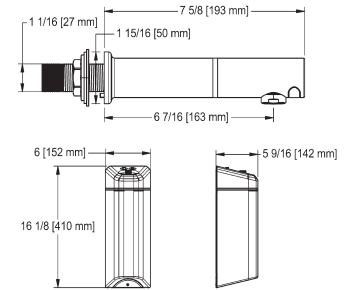


## Ozo-flo touch free faucet, wall mount HWF05

Front to back **7 5/8"**  
 Diameter **1 1/2"**  
 Hands free operation  
**Laminar flow 5.7 Lpm/1.5 gpm**  
 Includes ozone generator unit with plug-in transformer.  
 Requires thermostatic mixing valve, not included.  
 Recommended: MEDI-MIX.  
 Certified to ASME A112.18.1/B125.1, UL1951, UL979 for ozone features, and CSA C22.2, Numbers 68 and 14.



**\$ 4,032**

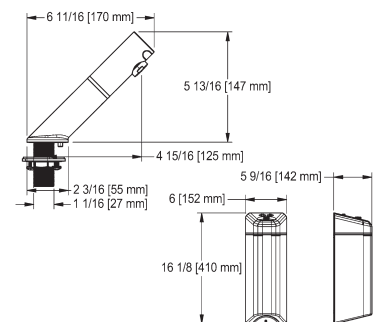


## Ozo-flo touch free faucet, deck mount, angled HWF23

Front to back **6 11/16"**  
 Height **5 13/16"**  
**Laminar flow 5.7 Lpm/1.5 gpm**  
 Includes ozone generator unit with plug-in transformer.  
 Requires thermostatic mixing valve, not included.  
 Recommended: MEDI-MIX.  
 Certified to ASME A112.18.1/B125.1, UL1951, UL979 for ozone features, and CSA C22.2, Numbers 68 and 14.



**\$ 4,075**

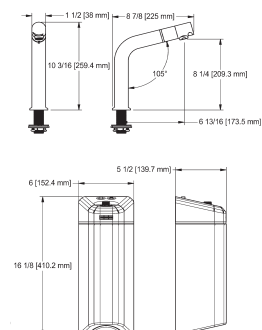


## Ozo-flo touch free faucet, deck mount, high neck angled HWF43

Front to back **8 7/8"**  
 Height **10 3/16"**  
**Laminar flow 5.7 Lpm/1.5 gpm**  
 Includes ozone generator unit with plug-in transformer.  
 Requires thermostatic mixing valve, not included.  
 Recommended: MEDI-MIX.  
 Certified to ASME A112.18.1/B125.1, UL1951, UL979 for ozone features, and CSA C22.2, Numbers 68 and 14.



**\$ 4,297**





## Accessories for Medi-flo & Ozo-flo



### Mixing valve

#### MEDI-MIX

Optional thermostatic mixing valve pre-programmed for Medi-flo HWSS2321W-00 sink and Ozo-flo faucets HWF05, HWF23, and HWF43. Adjustable outlet temperature range: 95 – 118°F (35 – 48°C). Factory set temperature 95°F (40°C).

\$ 371



### Handheld programmer

#### AC01-005

Allows for wireless adjustment of parameters such as sensor range, ozone generator run times, trap disinfection cycles, and data logging. May be used with multiple sinks or faucets.

\$ 700



### Replacement shroud for Medi-flo

#### MEDI-SHR

Removable replacement shroud for HWSS2321W-00. White polymer composite material.

\$ 940

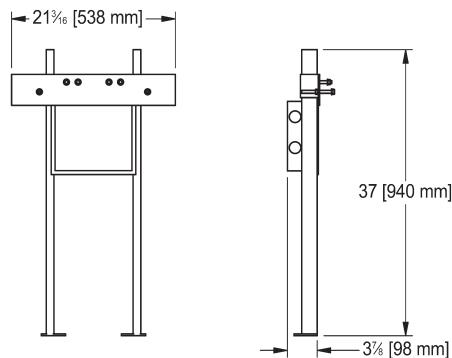


### In-wall carrier for Medi-flo

#### IWC2104

Floor mounted in-wall carrier designed for Medi-flo (HWSS2321W-00) sink. Preset stud locations simplify installation. Steel uprights with welded feet. Integrated rough in box. Hardware included.

\$ 479





faucet



**Hand hygiene sink  
AHWSS1720W-00**

White solid surface hand hygiene sink with removable shroud. An anti-splash feature runs through the center of the sink to greatly reduce splashing. Bowl is sloped towards drain and the sink rim is shaped to prevent users from placing objects on it. Hand hygiene sinks are specifically designed for hand washing only. Accepts single hole faucets with lower mounting hardware less than 2 1/2" (63 mm) in diameter.

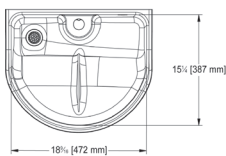
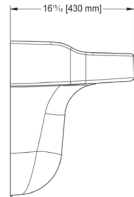
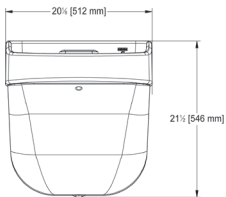
Left rear 1 1/2" (DN 40) waste location, supplied with grid waste with removable cover. Sink is cUPC certified and compliant with CSA B45.5-11/IAPMO Z124-2011. Meets and exceeds various national healthcare standards; ie, CSAZ8000, CSAZ317.1-16. Wheelchair accessible: meets ADA, ANSI A117.1 and CSA B651-04 (check local codes to ensure compliance).

Outside dimensions **16 15/16 x 20 1/8 x 21 1/2"**

Inside bowl **15 1/4 x 18 5/8 x 9"**

Waste location **Left Rear**

**\$ 2,168**



**Optional Accessories**

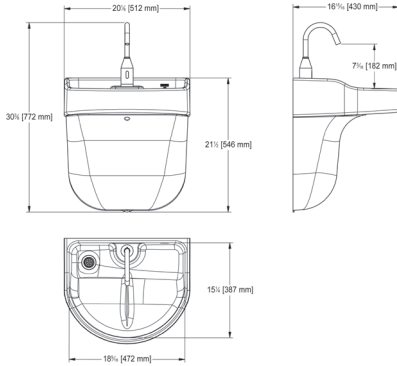
**IWC2203**

In-wall carrier

See details on p. 57



# Nightingale hand hygiene sinks



## Hand hygiene sink with hands-free gooseneck faucet AHWSS1720W-G

White solid surface hand hygiene sink with removable shroud. An anti-splash feature runs through the center of the sink to greatly reduce splashing. Bowl is sloped towards drain and the sink rim is shaped to prevent users from placing objects on it. Hand hygiene sinks are specifically designed for hand washing only.

Left rear 1 1/2" (DN 40) waste location, supplied with grid waste with removable cover. Hands free gooseneck **faucet** included. Faucet can be powered with included plug in transformer or with included battery pack which will last approximately 100,000 cycles on 4 x AA batteries (AC or DC or AC with battery backup). Flow rate 6 Lpm (1.5gpm) laminar flow.

Faucet is certified to ASME A112.18.1/CSA B125.1.

Sink is cUPC certified and compliant with CSA B45.5-11/IAPMO Z124-2011. Meets and exceeds various national healthcare standards; ie, CSAZ8000, CSAZ317.1-16. Wheelchair accessible: meets ADA, ANSI A117.1 and CSA B651-04 (check local codes to ensure compliance).

Outside dimensions **16 15/16 x 20 1/8 x 30 3/8"**

Inside bowl **15 1/4 x 18 5/8 x 9"**

Waste location **Left Rear**

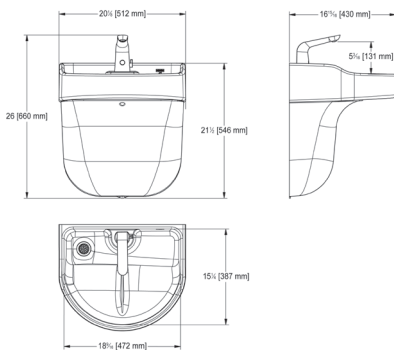
**\$ 2,380**

### Optional Accessories

#### IWC2203

In-wall carrier

See details on p. 57



## Hand hygiene sink with hands-free faucet AHWSS1720W-T

White solid surface hand hygiene sink with removable shroud. Hand hygiene sinks are specifically designed for hand washing only. An anti-splash feature runs through the center of the sink to greatly reduce splashing. Bowl is sloped towards drain and the sink rim is shaped to prevent users from placing objects on it.

Left rear 1 1/2" (DN 40) waste location, supplied with grid waste with removable cover. Hands free **faucet** included with user temperature control. Faucet can be powered with included plug in transformer or with included battery pack which will last approximately 100,000 cycles on 4 x AA batteries (AC or DC or AC with battery backup). Flow rate 3.8Lpm (1.0gpm).

Faucet is certified to ASME A112.18.1/CSA B125.1.

Sink is cUPC certified and compliant with CSA B45.5-11/IAPMO Z124-2011. Meets and exceeds various national healthcare standards; ie, CSAZ8000, CSAZ317.1-16. Wheelchair accessible: meets ADA, ANSI A117.1 and CSA B651-04 (check local codes to ensure compliance).

Outside dimensions **16 15/16 x 20 1/8 x 26"**

Inside bowl **15 1/4 x 18 5/8 x 9"**

Waste location **Left Rear**

**\$ 2,443**

### Optional Accessories

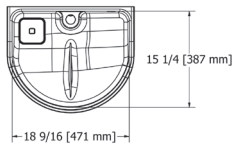
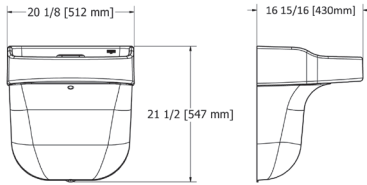
#### IWC2203

In-wall carrier

See details on p. 57



# Nightingale hand hygiene sinks



## Hand hygiene sink with integrated faucet spout AHWSS1720WIS-00

White solid surface hand hygiene sink with integrated laminar flow water controls and removable shroud.

An anti-splash feature runs through the center of the sink to greatly reduce splashing. Bowl is sloped towards drain and sink rim is shaped to prevent users from placing objects on it. Hand hygiene sinks are specifically designed for hand washing only. Left rear 1 1/2" (DN 40) waste location with removable waste cover to prevent water from splashing directly into/out of the waste.

Laminar **spout** can be powered with included plug in transformer or with included battery pack which will last approximately 100,000 cycles on 4 x AA batteries. Flow rate 6 Lpm / 1.5 gpm.

Faucet is certified to ASME A112.18.1/CSA B125.1.

Nightingale sinks are cUPC certified and are compliant with CSA B45.5-11/IAPMO Z124-2011. Wheelchair accessible: meets ADA, ANSI A117.1 and CSA B651-04 (check local codes to ensure compliance).

Outside dimensions **16 15/16 x 20 1/8 x 21 1/2"**

Inside bowl **15 1/4 x 18 5/8 x 9"**

Waste location **Left Rear**

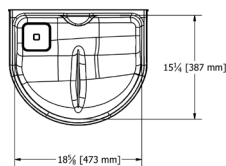
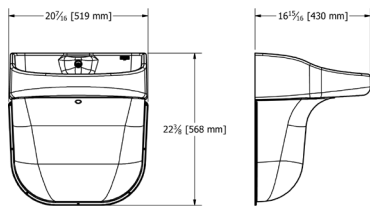
**\$ 2,519**

### Optional Accessories

#### IWC2203

In-wall carrier

See details on p. 57



## Hand hygiene sink with integrated faucet spout and antiligature shroud AHWSS1720WIS-AL

White solid surface hand hygiene sink with integrated laminar flow water controls and shroud. An anti-splash feature runs through the centre of the sink to greatly reduce splashing. Bowl is sloped towards drain and the sink rim is shaped to prevent users from placing objects on it. Hand hygiene sinks are specifically designed for hand washing only.

### Anti-ligature shroud.

Left rear 1 1/2" (DN 40) waste location with removable waste cover to prevent water from splashing directly into/out of the waste.

Laminar **spout** can be powered with included plug in transformer or with included battery pack which will last approximately 100,000 cycles on 4 x AA batteries.

Flow rate 6 Lpm / 1.5 gpm.

Faucet is certified to ASME A112.18.1/CSA B125.1.

cUPC certified, compliant with CSA B45.5-11/IAPMO Z124-2011. Wheelchair accessible: meets ADA, ANSI A117.1 and CSA B651-04 (check local codes to ensure compliance).

Outside dimensions **16 15/16 x 20 1/8 x 22 3/8"**

Inside bowl **15 1/4 x 18 5/8 x 9"**

Waste location **Left Rear**

**\$ 2,739**

### Optional Accessories

#### IWC2203

In-wall carrier

See details on p. 57

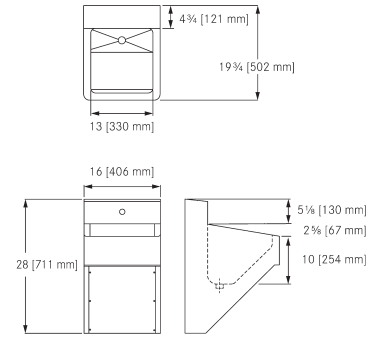


## Premium surgical scrub units



### Premium surgical scrub sink, 16" wide SSU1-2016-00

16 gauge (1.5 mm), type 304 (CNS 18/10) stainless steel. Radius covered bowl corners. Access panel for service and maintenance. Integral 1 1/2" (38 mm) waste with threaded tailpiece for use with McGuire 155WC tailpiece. This fixture is coated with antimicrobial product protection on all exposed surfaces of the sink. Certified to ASME A112.19.3/CSA B45.4. Outside dimensions **19 3/4 x 16 x 28"**  
Inside bowl **15 x 13 x 10"**  
Waste location **Center**



**\$ 11,789**

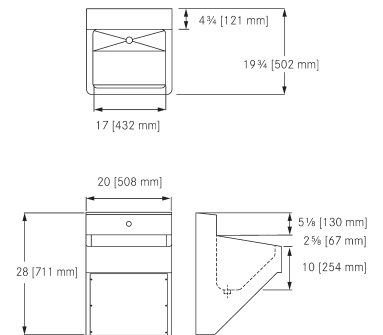
Premium surgical scrub sink, 16" wide, without antimicrobial coating  
**SSU1-2016-3**

**\$ 11,199**



### Premium surgical scrub sink, 20" wide SSU1-2020-00

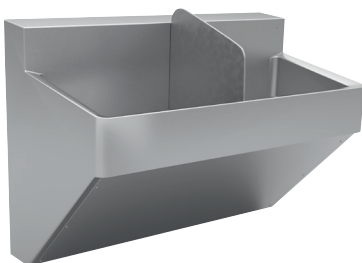
16 gauge (1.5 mm), type 304 (CNS 18/10) stainless steel. Radius covered bowl corners. Access panel for service and maintenance. Integral 1 1/2" (38 mm) waste with threaded tailpiece for use with McGuire 155WC tailpiece. This fixture is coated with antimicrobial product protection on all exposed surfaces of the sink. Certified to ASME A112.19.3/CSA B45.4. Outside dimensions **19 3/4 x 20 x 28"**  
Inside bowl **15 x 17 x 10"**  
Waste location **Center**



**\$ 12,125**

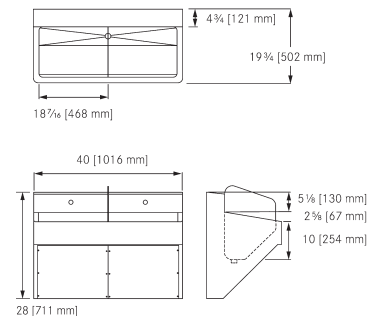
Premium surgical scrub sink, 20" wide, without antimicrobial coating  
**SSU1-2020-3**

**\$ 11,519**



### Premium surgical scrub sink, 40" wide SSU2-2040-00

16 gauge (1.5 mm), type 304 (CNS 18/10) stainless steel. Radius covered bowl corners. Divider is removable for thorough cleaning. Access panel for service and maintenance. Integral 1 1/2" (38 mm) waste with threaded tailpiece for use with McGuire 155WC tailpiece. This fixture is coated with antimicrobial product protection on all exposed surfaces of the sink. Certified to ASME A112.19.3/CSA B45.4. Outside dimensions **19 3/4 x 40 x 28"**  
Inside bowl **15 x 18 7/16 x 10"**  
Waste location **Center**



**\$ 16,506**

Premium surgical scrub sink, 40" wide, without antimicrobial coating  
**SSU2-2040-3**

**\$ 15,680**



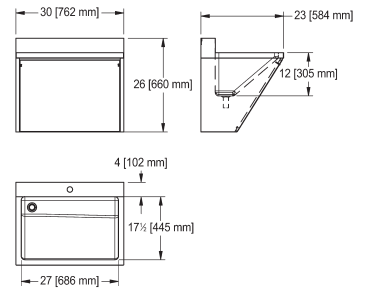


# Classic surgical scrub sinks



## Classic scrub sink, single SSU1-00

Single compartment surgical scrub station. 16 gauge (1.5 mm), type 304 (CNS 18/10) stainless steel. Polished #4 satin finish. Radius coved bowl corners. Bowl slopes from 10" to 12" from right to left. Access panel for service and maintenance. Franke hygienic 1 1/2" (38 mm) offset waste with integral tailpiece (no separate waste fitting required). Supplied with wall hanger brackets. Certified to ASME A112.19.3/CSA B45.4. Outside dimensions **23 x 30 x 26"**  
Inside bowl **17 1/2 x 27 x 12"**  
Waste location **Left Back**

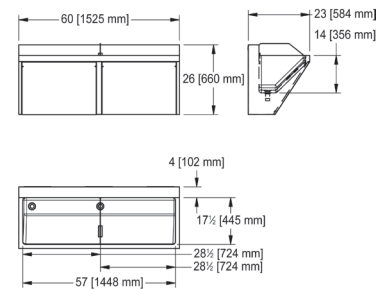


**\$ 9,013**



## Classic scrub sink, double SSU2-00

Double compartment surgical scrub station. 16 gauge (1.5 mm), type 304 (CNS 18/10) stainless steel. Polished #4 satin finish. Radius coved bowl corners. Bowl slopes from 12" to 14" from right to left. Removable divider with no tracks in bowl. Access panel for service and maintenance. Franke hygienic 1 1/2" (38 mm) offset wastes with integral tailpieces (no separate waste fittings required). Supplied with wall hanger brackets. Certified to ASME A112.19.3/CSA B45.4. Outside dimensions **23 x 60 x 26"**  
Inside bowl **17 1/2 x 57 x 14"**  
Waste locations **Left and Center**

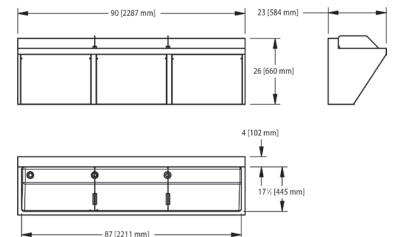


**\$ 13,027**



## Classic scrub sink, triple SSU3-00

Triple compartment surgical scrub station. 16 gauge (1.5 mm), type 304 (CNS 18/10) stainless steel. Polished #4 satin finish. Radius coved bowl corners. Bowl slopes from 10" to 14" from right to left. Removable dividers with no tracks in bowl. Access panel for service and maintenance. Franke hygienic 1 1/2" (38 mm) offset wastes with integral tailpieces (no separate waste fittings required). Supplied with wall hanger brackets. Certified to ASME A112.19.3/CSA B45.4. Outside dimensions **23 x 90 x 26"**  
Inside bowl **17 1/2 x 87 x 14"**  
Waste location **Left, Center and Center**



**\$ 18,604**

# Classic surgical scrub sink bundles with valves and hands-free faucets



## Classic scrub sink bundle, single SSU1-10

Single compartment surgical scrub station. 16 gauge (1.5 mm), type 304 (CNS 18/10) stainless steel. Polished #4 satin finish. Radius coved bowl corners. Bowl slopes from 10" to 12" from right to left. Access panel for service and maintenance. Franke hygienic 1 1/2" (38 mm) offset waste with integral tailpiece (no separate waste fitting required). Supplied with wall hanger brackets. Certified to ASME A112.19.3/CSA B45.4.

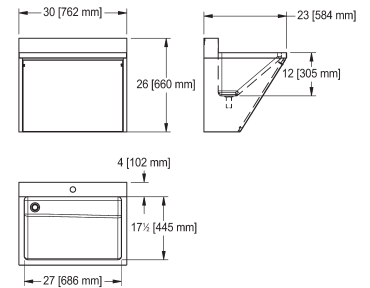
Outside dimensions **23 x 30 x 26"**

Inside bowl **17 1/2 x 27 x 12"**

Waste location **Left Back**

Sink bundle includes:

- 1 - **MIX-LF** thermostatic mixing valve
- 1 - **HHF180-6L** gooseneck hands-free faucet



**\$ 9,862**



## Classic scrub sink bundle, double SSU2-10

Double compartment surgical scrub station. 16 gauge (1.5 mm), type 304 (CNS 18/10) stainless steel. Polished #4 satin finish. Radius coved bowl corners. Bowl slopes from 12" to 14" from right to left. Removable divider with no tracks in bowl. Access panel for service and maintenance. Franke hygienic 1 1/2" (38 mm) offset wastes with integral tailpieces (no separate waste fittings required). Supplied with wall hanger brackets. Certified to ASME A112.19.3/CSA B45.4.

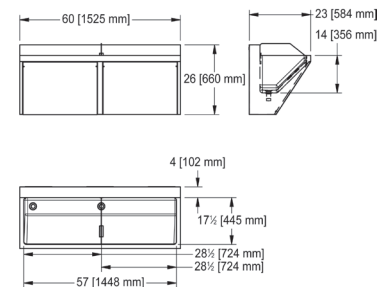
Outside dimensions **23 x 60 x 26"**

Inside bowl **17 1/2 x 57 x 14"**

Waste locations **Left and Center**

Sink bundle includes:

- 2 - **MIX-LF** thermostatic mixing valves
- 2 - **HHF180-6L** gooseneck hands-free faucets



**\$ 15,226**



## Classic scrub sink bundle, triple SSU3-10

Triple compartment surgical scrub station. 16 gauge (1.5 mm), type 304 (CNS 18/10) stainless steel. Polished #4 satin finish. Radius coved bowl corners. Bowl slopes from 10" to 14" from right to left. Removable dividers with no tracks in bowl. Access panel for service and maintenance. Franke hygienic 1 1/2" (38 mm) offset wastes with integral tailpieces (no separate waste fittings required). Supplied with wall hanger brackets. Certified to ASME A112.19.3/CSA B45.4.

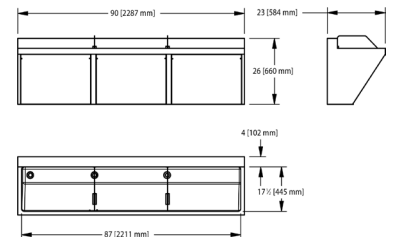
Outside dimensions **23 x 90 x 26"**

Inside bowl **17 1/2 x 87 x 14"**

Waste location **Left, Center and Center**

Sink bundle includes:

- 3 - **MIX-LF** thermostatic mixing valves
- 3 - **HHF180-6L** gooseneck hands-free faucets



**\$ 21,999**

# Clinical Wash Basins

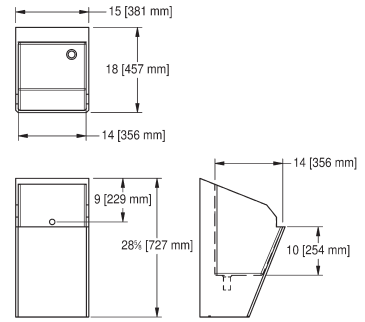


## Clinical wash basin, for splash mount faucet HWSS1518P-00

18 gauge (1.2 mm), type 304 (CNS 18/10) stainless steel. Polished #4 satin finish. Radius coved bowl corners. Constructed with an integral shroud. High back and side walls contain splashing and protect adjacent surfaces from contamination. Integral 1 1/2" (38 mm) waste welded to bottom of the sink bowl. Waste is left open and shaped to prevent the insertion of plugs or strainers to comply with national healthcare guidelines.

This fixture has antimicrobial nanocoating product protection on all exposed surfaces of the sink. Recommended splash mount faucet **HHF180-6L-W**. Certified to ASME A112.19.3/CSA B45.4. Outside dimensions **18 x 15 x 28 5/8"**  
Inside bowl **14 x 14 x 10"**  
Waste location **Right Back**

**\$ 2,644**

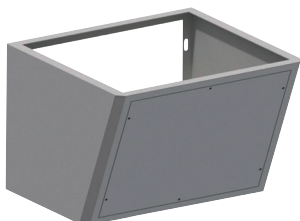
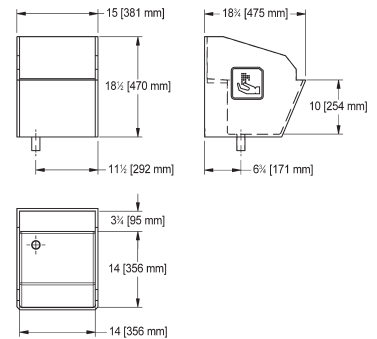


## Clinical wash basin, dual mount faucet options HWS1414P-00

18 gauge (1.2 mm), type 304 (CNS 18/10) stainless steel. Polished #4 satin finish. Radius coved bowl corners. Constructed with an integral shroud. High back and side walls contain splashing and protect adjacent surfaces from contamination. Integral 1 1/2" (38 mm) waste welded to bottom of the sink bowl. Waste is left open and shaped to prevent the insertion of plugs or strainers to comply with national healthcare guidelines.

This fixture is coated with antimicrobial product protection on all exposed surfaces of the sink. Recommended deck mount faucet **HHF180-6L**. Certified to ASME A112.19.3/CSA B45.4. Outside dimensions **18 3/4 x 15 x 18 1/2"**  
Inside bowl **14 x 14 x 10"**  
Waste locations **Left Back**

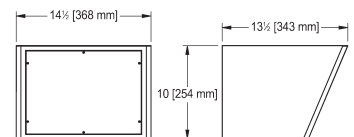
**\$ 2,805**



## Shroud for HWS1414P-00 HWS-RS-00

Stainless steel removable shroud for HWS1414P-00 hand wash basin. Overall dimensions **13 1/2 x 14 1/2 x 10"**

**\$ 486**



# Clinical Wash Basins



## Clinical wash basin, large back splash HWS1420P-00

18 gauge (1.2 mm), type 304 (CNS 18/10) stainless steel. Polished #4 satin finish. Radius coved bowl corners. Offset waste with open access to allow for easy cleaning of P-Trap. Integral 1 1/2" (38 mm) waste welded to bottom of the sink bowl.

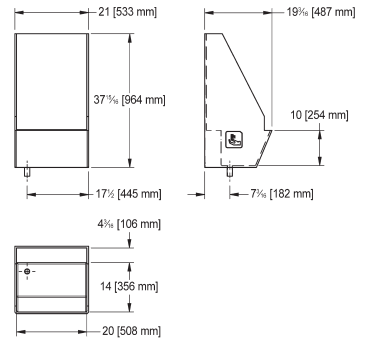
This fixture is coated with antimicrobial product protection on all exposed surfaces of the sink. Recommended deck mount faucet **HHF180-6L**.

Outside dimensions **19 3/16 x 21 x 37 15/16"**

Inside bowl **14 x 20 x 10"**

Waste location **Left Back**

**\$ 4,434**



## Clinical wash basin, wheelchair accessible AWHB1414P-7MOD

18 gauge (1.2 mm), type 304 (CNS 18/10) stainless steel. Polished #4 satin finish. Radius coved bowl corners. Offset waste with open access to allow for easy cleaning of P-Trap. Integral 1 1/2" (38 mm) waste welded to bottom of the sink bowl.

This fixture is coated with antimicrobial product protection on all exposed surfaces of the sink.

Wheelchair accessible: meets ADA, ANSI A117.1.

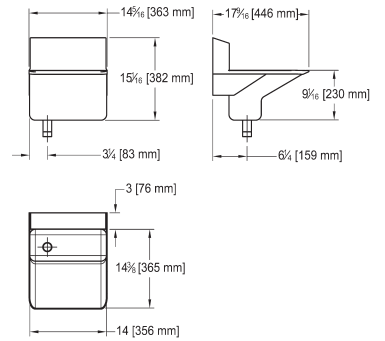
Certified to ASME A112.19.3/CSA B45.4.

Outside dimensions **23 x 60 x 26"**

Inside bowl **17 1/2 x 57 x 14"**

Waste location **Left Back**

**\$ 7,545**



## In-wall carrier for wall hung basins IWC2203

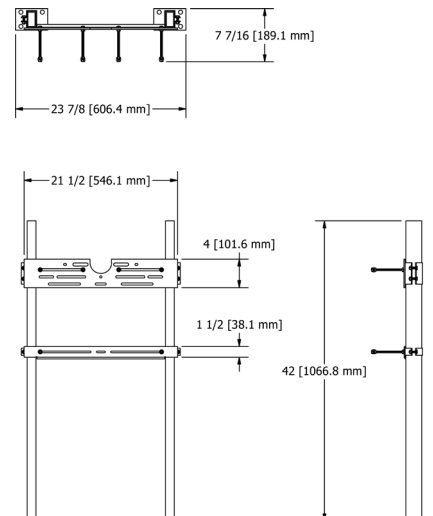
Universal floor mounted in-wall carrier designed for wall hung basins and water coolers.

Steel uprights with welded feet.

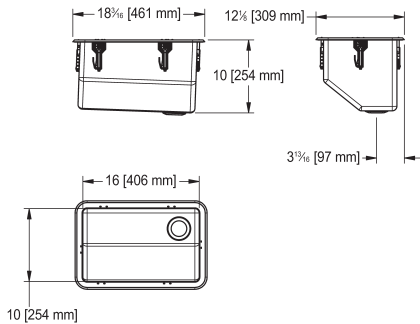
Includes lower bracket for added support. Mounting hardware included.

Outside dimensions **7 7/16 x 23 7/8 x 42"**

**\$ 454**



## Dual mount medical hand wash sinks



### Topmount or undermount single bowl medical hand wash sink HWS0610P-3

Single compartment self rimming topmount (or undermount) medical hand wash sink with faucet ledge. 18 gauge (1.2 mm), type 304 stainless steel. Sink compartment is angled to reduce splashing and waste is offset to reduce the risk of any bacteria contamination and splashing. Exposed surfaces are #4 satin finished. Undercoated to reduce condensation and resonance. Includes waste fitting, sound deadening pads, factory applied rim seal, cutout template, and factory installed EZ TORQUE™ fasteners. Certified to ASME A112.19.3/CSA B45.4.

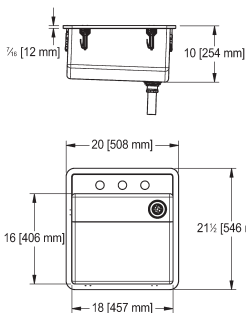
Right rear waste location. Includes 1 1/2" (38 mm) duplex waste assembly and 1 1/2" (DN38) brass tailpiece.

Custom, non-returnable  
Outside dimensions **12 1/8 x 18 3/16"**

Inside bowl **10 x 16 x 10"**

Waste location **Right rear**

**\$ 919**



### Topmount or undermount single bowl medical hand wash sink with faucet ledge HWS6810P-3

Single compartment self rimming topmount (or undermount) medical hand wash sink with faucet ledge. 18 gauge (1.2 mm), type 304 stainless steel. Sink compartment is angled to reduce splashing and waste is offset to reduce the risk of any bacteria contamination and splashing. Exposed surfaces are #4 satin finished. Undercoated to reduce condensation and resonance. Includes waste fitting, sound deadening pads, factory applied rim seal, cutout template, and factory installed EZ TORQUE™ fasteners. Certified to ASME A112.19.3/CSA B45.4.

Right rear waste location. Includes 1 1/2" (38 mm) duplex waste assembly and 1 1/2" (DN38) brass tailpiece.

Custom, non-returnable.  
Outside dimensions **21 1/2 x 20"**

Inside bowl **16 x 18 x 10"**

Waste location **Right rear**

**\$ 1,234**



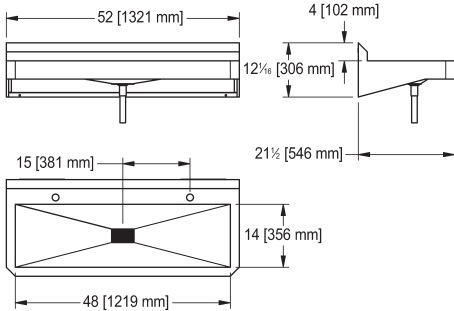


# Hand Wash Basins



Pictured: AWHBS2419-7 basins with HHF23T faucets

# Designer, semi-public hand wash basins



## Designer double hand wash basin WHB5222-7

Designer wall hung basin. 16 gauge (1.8 mm), type 304 (CNS 18/10) stainless steel. Exposed surfaces are polished to a #4 satin finish. Includes 1 1/4" (DN 32) waste fitting included. Features a vandal-resistant laser cut pyramid waste cover. Unit is installed using supplied wall brackets. Optional wall carrier IWC2203 is available.

Certified to ASME A112.19.3/CSA B45.4.

### Optional shroud **WHB5222-RS**

Wheelchair accessible: meets ADA (Americans with disabilities act guidelines), ANSI A117.1 (Accessible and usable buildings and facilities), and CSA B651-04. Check local codes to ensure compliance.

Outside dimensions **21 1/2 x 52 x 12 1/16"**

Inside bowl **21 1/2 x 48 x 5"**

Waste location **Center**

**\$ 3,592**

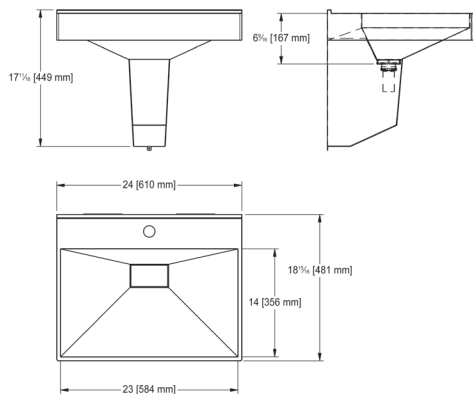
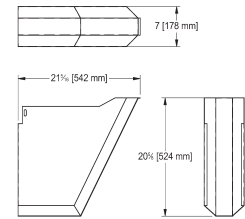
## Removable shroud for WHB5222-7 WHB5222-RS

18 gauge (1.2 mm), type 304 (CNS 18/10) stainless steel. Satin finish.

Shroud extends 20 9/16" below the bottom of the basin.

Outside dimensions **21 5/16 x 7 x 20 5/8"**

**\$ 679**



## Cleopatra single bowl hand wash basin AWHBS2419-7

Designer wall hung basin. 18 gauge (1.2 mm), type 304 (CNS 18/10) stainless steel. Exposed surfaces are polished to a #4 satin finish. Basin features vandal-resistant waste cover attached via concealed cable. Integral grid waste opening and threaded connection underneath to accept a 1 1/2" tailpiece (included). Separate waste fitting not required.

Basin is installed using supplied wall brackets, recommended in-wall carrier IWC2203 sold separately.

Certified to ASME A112.19.3/CSA B45.4. Wheelchair accessible: meets ADA (Americans with Disabilities Act) guidelines, ANSI A117.1 (Accessible and usable buildings and facilities), and CSA B651-04 (Accessible design for the built environment). Check local codes to ensure compliance.

Outside dimensions **18 15/16 x 24 x 17 11/16"**

Inside bowl **16 x 14 x 6 9/16"**

Waste location **Center back**

**\$ 1,804**

### Optional wall carrier

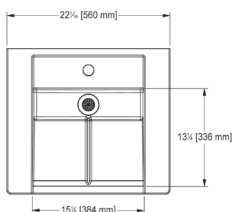
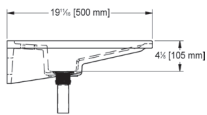
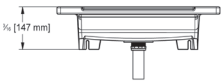
#### IWC2203

In-wall carrier

See details on p. 57







**Wheelchair accessible wall hung basin  
AWHB2220W-3-1**

Single wash basin made from a unique Franke resin-bonded solid surface material with pore-free, smooth UV resistant gelcoat with high-polish surface. Shallow basin featuring a splash reduction rib. 1 1/2" grid waste included. Unit is installed using supplied wall hanger brackets.

Optional in-wall carrier IWC2203 is available.

cUPC certified and compliant with CSA B45.5- 11/IAPMO Z124-2011.

Wheelchair accessible: meets ADA (Americans with Disabilities Act), ANSI A117.1 (Accessible and usable buildings and facilities) and CSA B651-04 (check local codes to ensure compliance).

Outside dimensions **18 15/16 x 24 x 17 11/16"**

Inside bowl **16 x 14 x 6 9/16"**

Waste location **Center back**

**\$1,436**

**Optional wall carrier**

**IWC2203**

In-wall carrier

See details on p. 57



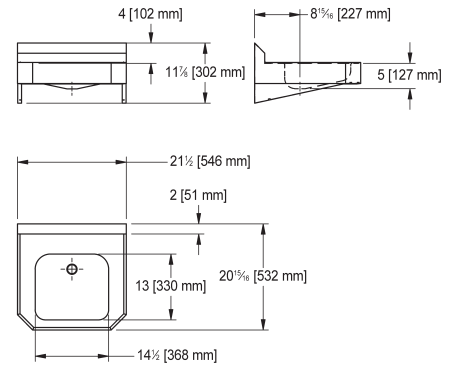
## Designer, semi-public hand wash basins



### Designer hand wash basin, no overflow WHB2221-7

18 gauge (1.2 mm), type 304 (CNS 18/10) stainless steel. Exposed surfaces are #4 satin finish. Designed for either new installation or replacement/retrofit onto select vitreous china wall carriers. Edge is formed as an anti-spill rim. Includes one piece wall hanger bracket. 1 1/4" (32 mm) grid strainer waste kit included. Certified to ASME A112.19.3/CSA B45.4. Outside dimensions **20<sup>15/16</sup> x 21 1/2 x 11 1/4"** Inside bowl **13 x 14 1/2 x 5"** Waste location **Center back** Overflow **No**

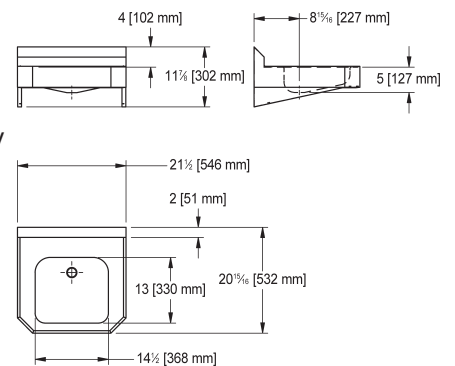
**\$ 1,392**



### Designer hand wash basin, with overflow WHB2221-8

18 gauge (1.2 mm), type 304 (CNS 18/10) stainless steel. Exposed surfaces are #4 satin finish. Designed for either new installation or replacement/retrofit onto select vitreous china wall carriers. Edge is formed as an anti-spill rim. Includes one piece wall hanger bracket. Accepts 1 1/4" (32 mm) waste kit with overflow (not included). Order model #3700. Certified to ASME A112.19.3/CSA B45.4. Outside dimensions **20<sup>15/16</sup> x 21 1/2 x 11 1/4"** Inside bowl **13 x 14 1/2 x 5"** Waste location **Center back** Overflow **Yes**

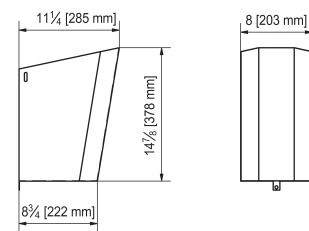
**\$ 1,392**



### Removable shroud for WHB2221 basins WHB2221-RS

Gauge 18  
Satin finish Stainless Steel  
Outside dimensions **11 1/4 x 8 x 14 7/8"**

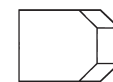
**\$ 362**



### Cover plate for WHB2221-RS shroud WHB2221-UC

Bottom cover plate for WHB2221-RS shroud prevents unwanted access to plumbing fixtures. Overall dimensions **21 x 21"**

**\$ 271**



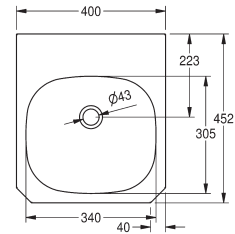
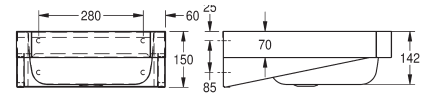
## Designer, semi-public hand wash basins



### Designer basin WT400C-7

Designer single wash basin for wall mounting. 19 gauge (1.0 mm) seamless welded bowl. Front panel has 45° corner edges.

Exposed surfaces are polished to a satin finish. Accepts 1/4" (32 mm) waste kit, not included. Basin is installed using prewelded mounting brackets. Optional shroud **WT-RS** available. Certified to ASME A112.19.3/CSA B45.4. Outside dimensions **17 13/16 x 15 3/4"** Inside bowl **12 x 13 3/8 x 5 9/16"** Waste location **Center back**



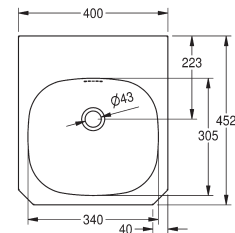
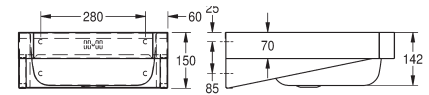
\$ 1,238



### Designer basin with overflow WT400C-8

Designer single wash basin for wall mounting. 19 gauge (1.0 mm) seamless welded bowl. Front panel has 45° corner edges.

Exposed surfaces are polished to a satin finish. Accepts 1/4" (32 mm) overflow waste kit, not included. Basin is installed using prewelded mounting brackets. Optional shroud **WT-RS** available. Certified to ASME A112.19.3/CSA B45.4. Outside dimensions **17 13/16 x 15 3/4"** Inside bowl **12 x 13 3/8 x 5 9/16"** Waste location **Center back**



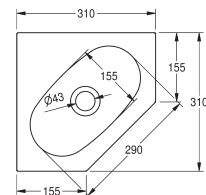
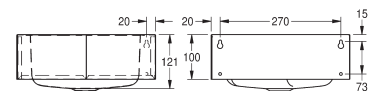
\$ 1,571



### Corner wall mount hand wash basin WT310E-7

18 gauge (1.2 mm), type 304 (CNS 18/10) stainless steel.

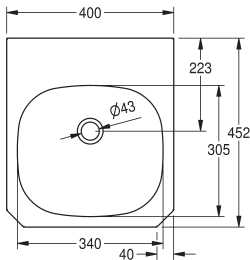
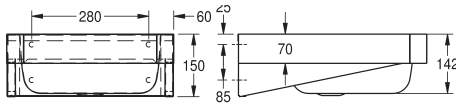
Exposed surfaces are brushed finish. Includes installation kit. Accepts 1/4" (32 mm waste kit), not included. Certified to ASME A112.19.3/CSA B45.4. Outside dimensions **12 3/16 x 12 3/16"** Inside bowl **6 1/8 x 11 7/16 x 4 3/4"** Waste location **Center**



\$ 942



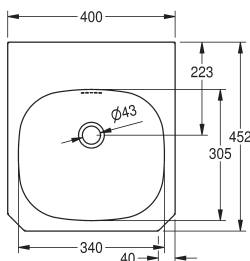
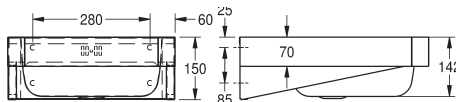
## Designer, semi-public hand wash basins



### Designer basin WT500C-7

Designer single wash basin for wall mounting.  
19 gauge (1.0 mm) seamless welded bowl.  
Front panel has 45° corner edges.  
Exposed surfaces are polished to a satin finish.  
Accepts 1 1/4" (32 mm) waste kit, not included.  
Basin is installed using prewelded mounting brackets.  
Optional shroud **WT-RS** available.  
Certified to ASME A112.19.3/CSA B45.4.  
Outside dimensions **17 9/16" x 19 11/16"**  
Inside bowl **11 7/16" x 15 3/4" x 5 9/16"**  
Waste location **Center back**

**\$1,387**



### Designer basin with overflow WT500C-8

Designer single wash basin for wall mounting.  
19 gauge (1.0 mm) seamless welded bowl.  
Front panel has 45° corner edges.  
Exposed surfaces are polished to a satin finish.  
Accepts 1 1/4" (32 mm) waste kit with overflow, not included.  
Basin is installed using prewelded mounting brackets.  
Optional shroud **WT-RS** available.  
Certified to ASME A112.19.3/CSA B45.4.  
Outside dimensions **17 9/16" x 19 11/16"**  
Inside bowl **11 7/16" x 15 3/4" x 5 9/16"**  
Waste location **Center back**

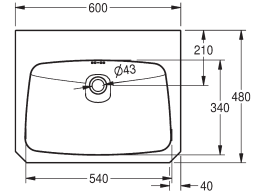
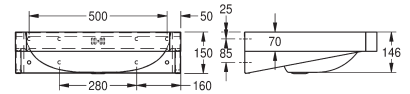
**\$1,723**

## Designer, semi-public hand wash basins



### Designer basin WT600C-7

Designer single wash basin for wall mounting.  
19 gauge (1.0 mm) seamless welded bowl.  
Front panel has 45° corner edges.  
Exposed surfaces are polished to a satin finish.  
Accepts 1 1/4" (32 mm) waste kit, not included.  
Basin is installed using prewelded mounting brackets.  
Wheelchair accessible.  
Optional shroud **WT-RS** available.  
Certified to ASME A112.19.3/CSA B45.4.  
Outside dimensions **18 7/8 x 23 5/8"**  
Inside bowl **13 3/8 x 21 1/4 x 5 3/4"**  
Waste location **Center back**

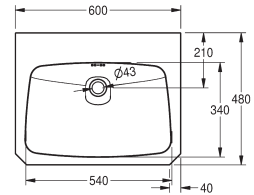
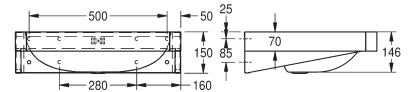


**\$1,502**

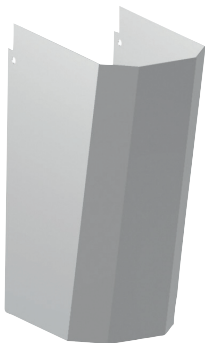


### Designer basin with overflow WT600C-8

Designer single wash basin for wall mounting.  
19 gauge (1.0 mm) seamless welded bowl.  
Front panel has 45° corner edges.  
Exposed surfaces are polished to a satin finish.  
Accepts 1 1/4" (32 mm) waste kit with overflow, not included.  
Basin is installed using prewelded mounting brackets.  
Wheelchair accessible.  
Optional shroud **WT-RS** available.  
Certified to ASME A112.19.3/CSA B45.4.  
Outside dimensions **18 7/8 x 23 5/8"**  
Inside bowl **13 3/8 x 21 1/4 x 5 3/4"**  
Waste location **Center back**



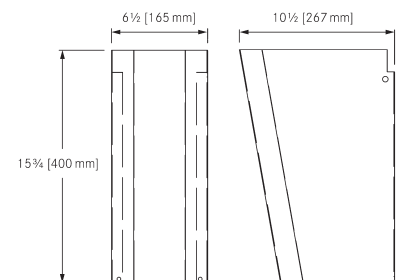
**\$1,833**



### Shroud for WT400C/WT500C/WT600C basins WT-RS

Trap cover manufactured from 18 gauge, type 304 stainless steel. Exposed surfaces are satin finished. For wall mount installation of wash basin models WT400C, WT500C, WT600C and WHB1617 series.  
Outside dimensions **10 1/2 x 6 1/2 x 15 3/4"**

**\$ 842**



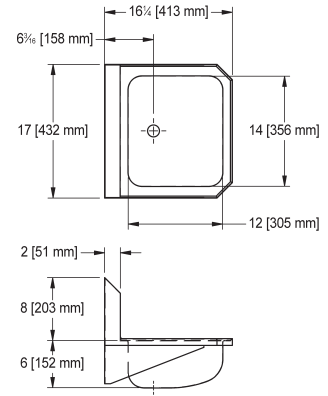
# Hand wash basins, institutional



**For wall mount faucet, 6" deep  
WHB1616-3**

Gauge 18  
Outside dimensions 16 1/4 x 17"  
Inside bowl 12 x 14 x 6"  
#4 satin finish  
Includes 1 1/2" (38 mm) duplex waste assembly with rubber stopper.  
One piece wall hanger included, separate sink carrier not required.  
Optional shroud **WT-RS** sold separately  
Waste location **Center back**

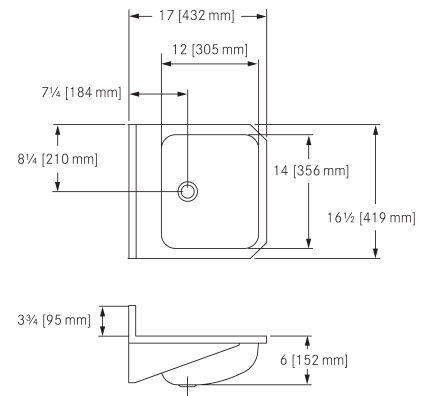
**\$ 946**



**Wall hung basin, 1 1/2" waste  
WHB1617-3**

Gauge 18  
Outside dimensions 17 x 16 1/2"  
Inside bowl 12 x 14 x 6"  
#4 satin finish  
Includes 1 1/2" (38 mm) duplex waste assembly with rubber stopper.  
One piece wall hanger included, separate sink carrier not required.  
Optional shroud **WT-RS** sold separately  
Waste location **Center back**

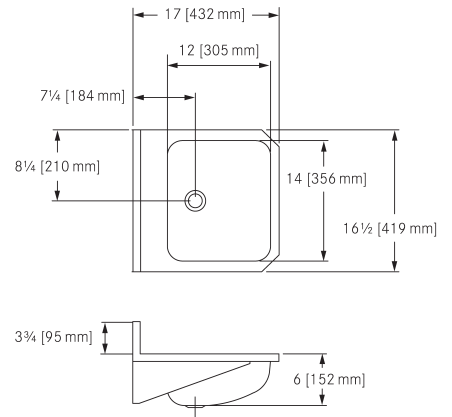
**\$ 1,222**



**Wall hung basin with overflow, 1 1/2" waste  
WHB1617-6**

Gauge 18  
Outside dimensions 17 x 16 1/2"  
Inside bowl 12 x 14 x 6"  
#4 satin finish  
Includes 1 1/2" (38 mm) duplex waste assembly with rubber stopper, brass tailpiece, and overflow.  
One piece wall hanger included, separate sink carrier not required.  
Optional shroud **WT-RS** sold separately  
Waste location **Center back**

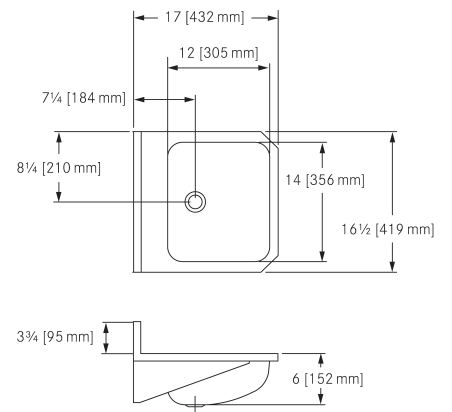
**\$ 1,359**



**Wall hung basin, 1 1/4" waste  
WHB1617-7**

Gauge 18  
Outside dimensions 17 x 16 1/2"  
Inside bowl 12 x 14 x 6"  
#4 satin finish  
Accepts 1 1/4" (32 mm) waste assembly, not included.  
Optional shroud **WT-RS** sold separately  
Waste location **Center back**

**\$ 1,196**



## Hand wash basins, institutional



### Wall hung basin, 1 1/2" waste WHB1819-3

Wash basin for wall mounting. 18 gauge (1.2 mm) stainless steel. Exposed surfaces are polished to a #4 satin finish.

Includes 1 1/2" (38 mm) duplex waste assembly with rubber stopper.

16 gauge side wall brackets and one piece wall hanger. Separate sink carrier is not required.

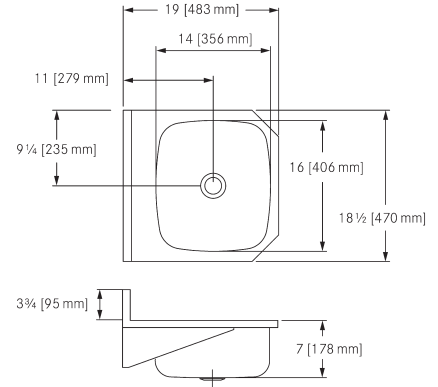
Certified to ASME A112.19.3/CSA B45.4.

Outside dimensions **19 x 18 1/2"**

Inside bowl **14 x 16 x 7"**

Waste location **Center**

**\$1,290**



### Wall hung basin with overflow, 1 1/2" waste WHB1819-6

Wash basin for wall mounting. 18 gauge (1.2 mm) stainless steel. Exposed surfaces are polished to a #4 satin finish.

Includes 1 1/2" (38 mm) duplex waste assembly with rubber stopper, brass tailpiece and overflow.

16 gauge side wall brackets and one piece wall hanger. Separate sink carrier is not required.

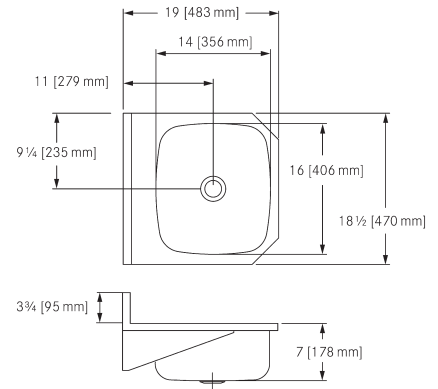
Certified to ASME A112.19.3/CSA B45.4.

Outside dimensions **19 x 18 1/2"**

Inside bowl **14 x 16 x 7"**

Waste location **Center**

**\$1,374**



### Wall hung basin, 1 1/4" waste WHB1819-7

Wash basin for wall mounting. 18 gauge (1.2 mm) stainless steel. Exposed surfaces are polished to a #4 satin finish.

Accepts 1 1/4" (32 mm) waste assembly, not included.

16 gauge side wall brackets and one piece wall hanger. Separate sink carrier is not required.

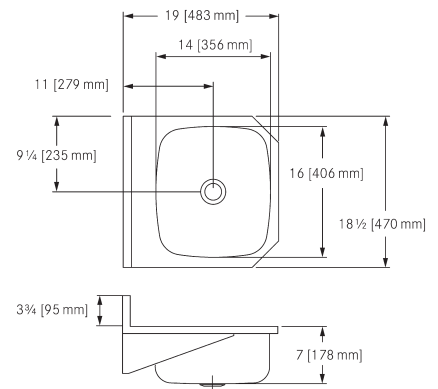
Certified to ASME A112.19.3-2008 / CSA B45.4-08

Outside dimensions **19 x 18 1/2"**

Inside bowl **14 x 16 x 7"**

Waste location **Center**

**\$1,257**



## Hand wash basins, institutional



### Hand wash basin with side side splashes WHB1716SPL-3

18 gauge (1.2 mm), type 304 (CNS 18/10) stainless steel. Exposed surfaces are #4 satin finish.

Radius coved bowl corners.

Includes one piece wall hanger bracket.

Includes 1 1/2" (38 mm) duplex waste assembly with rubber stopper.

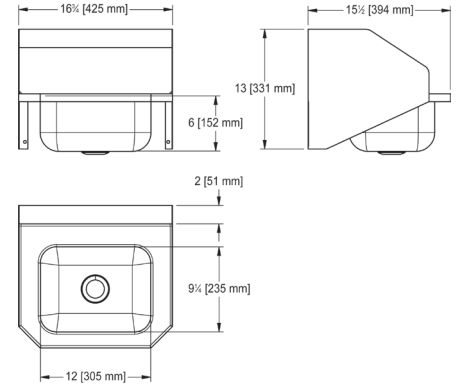
Certified to ASME A112.19.3/CSA B45.4.

Outside dimensions **15 1/2" x 16 3/4" x 13"**

Inside bowl **9 1/4" x 12 x 6"**

Waste location **Center**

**\$ 1,389**



### Hand wash basin with shroud WHBS181910-3

18 gauge (1.2 mm), type 304 (CNS 18/10) stainless steel. Exposed surfaces are #4 satin finish.

Includes one piece wall hanger bracket. Separate sink carrier not required.

Includes 1 1/2" (38 mm) duplex waste assembly with rubber stopper.

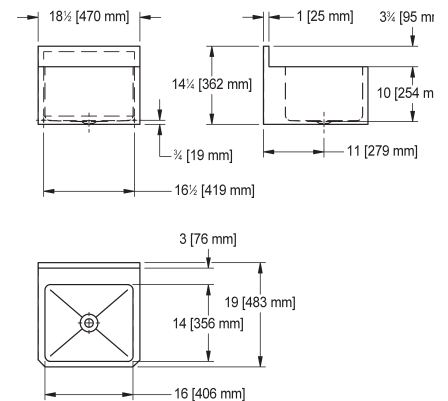
Certified to ASME A112.19.3/CSA B45.4.

Outside dimensions **19 x 16 x 14 1/2"**

Inside bowl **14 x 16 x 10"**

Waste location **Center**

**\$ 3,016**



### Wall service sink, 14 gauge WSS6713

14 gauge (2.0 mm), type 304 (CNS 18/10) stainless steel. Exposed surfaces are #4 satin finish.

Radius coved bowl corners.

Includes 3 1/2" (89 mm) crumb cup strainer waste kit with 1 1/2" brass tailpiece.

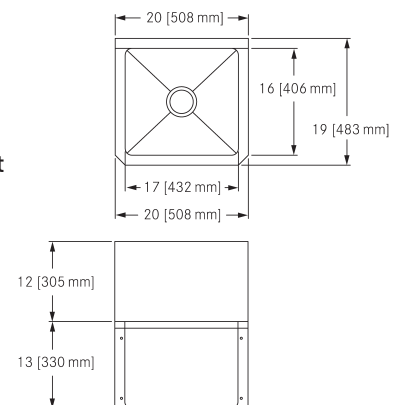
Certified to ASME A112.19.3/CSA B45.4.

Outside dimensions **19 x 20 x 25"**

Inside bowl **16 x 17 x 13"**

Waste location **Center**

**\$ 7,182**







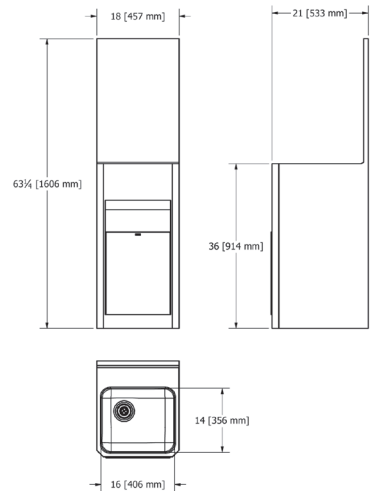
Pictured: HWS1821-I-3 sink with HHF23T faucet, SD01-002CF soap dispenser



**Stand alone hand wash sink  
HWS1821-I-3**

Hand wash station with backsplash and integrated waste bin is designed for private and public spaces. Fully hand fabricated from 18 gauge, type 304 stainless steel. Exposed surfaces are satin finished. 1 1/2" grid waste fitting is included. Certified to ASME A112.19.3/CSA B45.4. Outside dimensions **21 x 18 x 63 1/4"** Inside bowl **14 x 16 x 9"** Waste location **Left rear**

**\$ 9,381**



**18ga** **cUPC®**

# Washroom Accessories



71	Faucets
73	Washroom accessories
74	Aqua-foam soap dispensers
75	Multi-feed soap dispensers

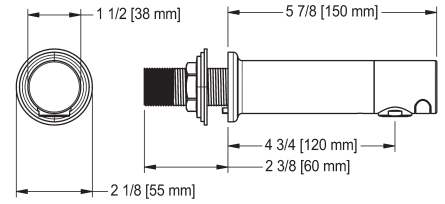
# Aquarius faucets



316 5.0 Lpm 1.3 gpm cUPC®

## Aquarius wall mount AC powered faucet AT02-005AC

Polished finish, regular flow 5 Lpm/ 1.3 gpm  
Type 316 stainless steel hands-free faucet. Wall mount installation, high polish finish.  
AC plug-in power option.  
Highly intelligent electronic controls with programmable sensor ranges, run times, and automatic purging to eliminate stagnant water.  
Certified to ASME A112.18.1 / CSA B125.1  
Faucet dimensions 1 1/2 x 5 7/8"



\$ 1,513

316 1.3 Lpm 0.35 gpm cUPC® Low flow

## Aquarius wall mount AC powered faucet AT02-005AC-LF

Polished finish, low flow 1.3 Lpm / 0.35 gpm

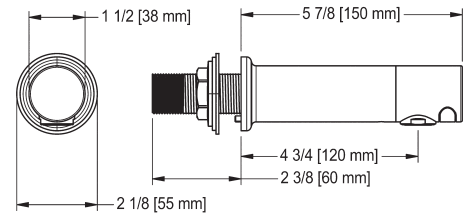
\$ 1,513



316 5.0 Lpm 1.3 gpm cUPC®

## Aquarius wall mount DC powered faucet AT02-005DC

Polished finish, regular flow 5 Lpm/ 1.3 gpm  
Type 316 stainless steel hands-free faucet. Wall mount installation, high polish finish.  
DC battery power option.  
Highly intelligent electronic controls with programmable sensor ranges, run times, and automatic purging to eliminate stagnant water.  
Certified to ASME A112.18.1 / CSA B125.1  
Faucet dimensions 1 1/2 x 5 7/8"



\$ 1,578

316 1.3 Lpm 0.35 gpm cUPC® Low flow

## Aquarius wall mount DC powered faucet AT02-005DC-LF

Polished finish, low flow 1.3 Lpm/ 0.35 gpm

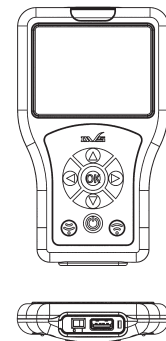
\$ 1,578



## Handheld programmer for Aquarius faucets AC01-005

Wireless adjustment of faucet parameters such as sensor range, run times, and automatic purging. Data logging to review usage. Can be used with multiple faucets.  
Compatible with Aquarius faucets, Medi-flo sink and Ozo-flo faucets.

\$ 700



# Faucets



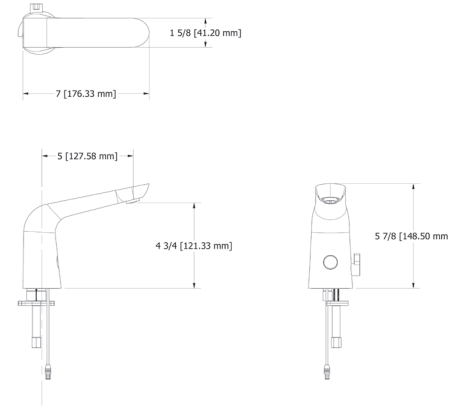
3.8 Lpm
1.0 gpm
cUPC®

## Electronic faucet, temperature adjust handle HHF23T

Hands free faucet for deck mounting with IR sensor near faucet base. 3.8 Lpm/ 1.0 gpm flow rate. Flat stop style with temperature adjust handle on side. Chrome finish. Battery operated (DC) or plug in (AC) with battery backup. The battery life is around 100,000 cycles if running on battery only. Certified to ASME A112.18.1 / CSA B125.1

Faucet dimensions **1<sup>5</sup>/<sub>8</sub> x 7 x 5<sup>7</sup>/<sub>8</sub>"**

**\$ 935**



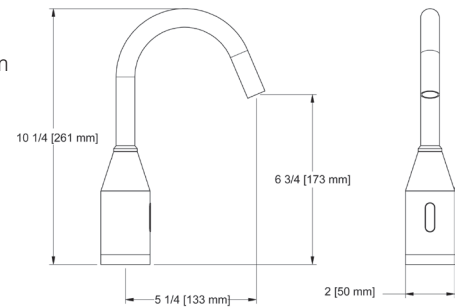
6.0 Lpm
1.5 gpm
cUPC®

## Laminar flow deck mount faucet HHF180-6L

Hands free faucet for deck mounting with IR sensor. Open spout, free of flow control or aerators. Chrome finish. 6.0 Lpm/ 1.5 gpm laminar flow rate. Supplied 6VDC plug in transformer included. Easy topmount installation. Automatic anti-vandal timeout. Certified to ASME A112.18.1 / CSA B125.

Overall dimensions **2 x 5<sup>1</sup>/<sub>4</sub> x 10<sup>1</sup>/<sub>4</sub>"**

**\$ 964**



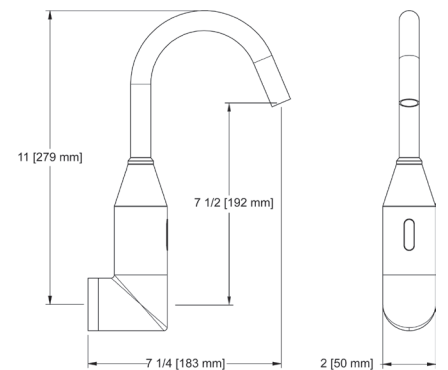
6.0 Lpm
1.5 gpm
cUPC®

## Laminar flow wall mount faucet HHF180-6L-W

Hands free faucet for wall mounting with IR sensor. Open spout, free of flow control or aerators. Chrome finish. 6.0 Lpm/ 1.5 gpm laminar flow rate. Supplied 6VDC plug in transformer included. Easy topmount installation. Automatic anti-vandal timeout. Certified to ASME A112.18.1 / CSA B125.

Overall dimensions **2 x 7<sup>1</sup>/<sub>4</sub> x 11"**

**\$ 1,061**



cUPC®

## Mixing valve MIX-LF

Thermostatic mixing valve for use with Franke faucets.

**\$ 335**

## Washroom accessories



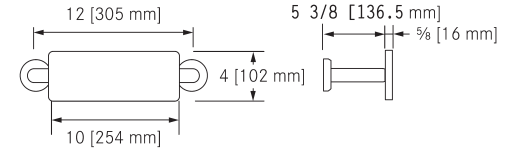
### Back rest, 5 inch depth CM-16104

Back rest for wall mount toilet. Stainless steel bar with #4 satin finish with flanges and covers, with antique white solid core plastic laminate panel back.

Concealed snap flanges and mounting hardware included. Provide adequate backing in wall for support and comply to local codes for barrier free requirement.

Dimensions **6 x 12 x 4"**

**\$ 466**



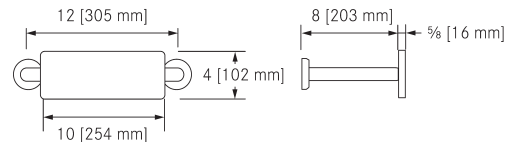
### Back rest, 8 inch depth CM-16104-WM

Back rest for wall mount toilet. Stainless steel bar has #4 satin finish with flanges and covers, with antique white solid core plastic laminate panel back.

Concealed snap flanges and mounting hardware included. Provide adequate backing in wall for support and comply to local codes for barrier free requirement

Dimensions **8 5/8 x 12 x 4"**

**\$ 466**



### Soap dispenser SD80V-EXT

Manual soap dispenser with extension for "Murro" basin (or equivalent).

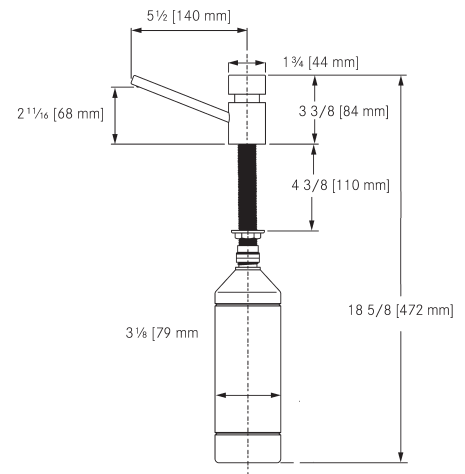
For use with liquid soap.

Chromium plated brass.

Includes a 1 litre polyethylene container for use with liquid soap. Replacement part available for container.

Dimensions **5 1/2 x 18 5/8 x 1 3/4"**

**\$ 457**





# Aqua-foam soap dispensers



## Foam soap dispenser, wall mount

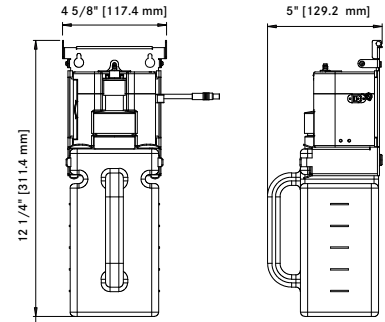
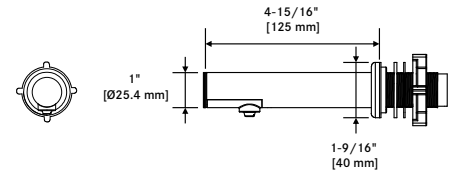
Polished finish with light ring

### SD01-001CFL

Stainless steel touch-free soap dispenser. AC powered (plug in) LED status light to notify of sensor blockage, soap level or if the wrong type of soap is used. Soap dispenser will dispense once every 48 hours if there is no action in between to avoid a clog in the tip. 1.5 liter (50 fl oz.) easy refill soap tank included.

Overall dimensions **1 x 4 5/16"**

**\$ 872**



## Foam soap dispenser, wall mount

Satin finish with light ring

### SD01-001SFL

**\$ 854**



## Foam soap dispenser, deck mount

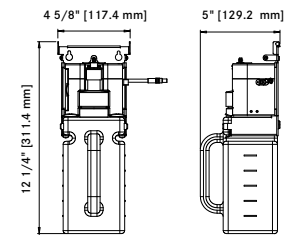
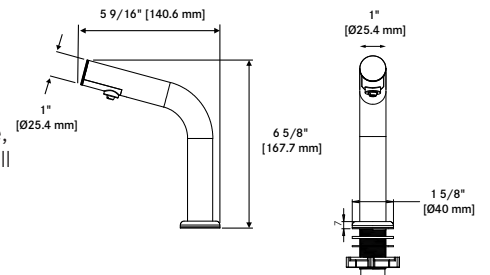
Polished finish with light ring

### SD01-003CFL

Stainless steel touch-free soap dispenser. AC powered (plug in) LED status light to notify of sensor blockage, soap level or if the wrong type of soap is used. Soap dispenser will dispense once every 48 hours if there is no action in between to avoid a clog in the tip. 1.5 liter (50 fl oz.) easy refill soap tank included.

Overall dimensions **1 x 6 5/8"**

**\$ 888**



## Foam soap dispenser, deck mount

Satin finish with light ring

### SD01-003SFL

**\$ 907**



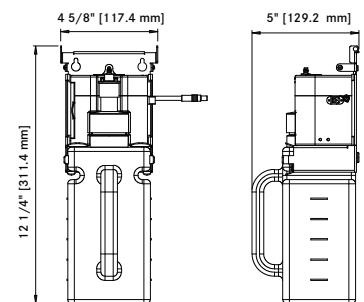
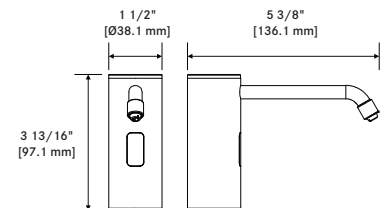
## Foam soap dispenser, deck mount

### SD01-002CF

Stainless steel touch-free soap dispenser. Requires either AC power or DC battery power to operate the soap dispenser. Soap dispenser will dispense once every 48 hours if there is no action in between to avoid a clog in the tip. 1.5 liter (50 fl oz.) easy refill soap tank included.

Overall dimensions **1 1/2 x 5 3/8"**

**\$ 768**



## Foam soap dispenser, deck mount

Satin finish

### SD01-002SF

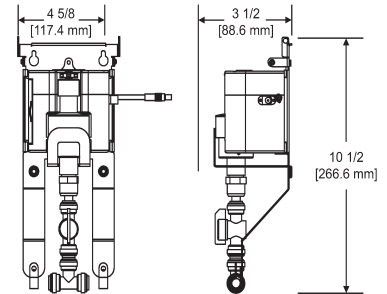
**\$ 748**

# Aqua-foam soap dispensers - multifeed



Stainless steel touch-free soap dispenser unit as part of multifeed tank system. Ideal for high-traffic environments including airports, bus terminals, and other public spaces. Multi-feed model, up to six (6) units may be fed from a single multifeed tank. SD01-MFT sold separately, see below. Soap dispenser is sold with wall mount motor unit. Requires either AC power or DC battery power to operate the soap dispenser. Soap dispenser will dispense once every 48 hours if there is no action in between to avoid a clog in the tip

Soap pump mechanism included with every multifeed soap dispenser unit. SD01-MFT tank sold separately.



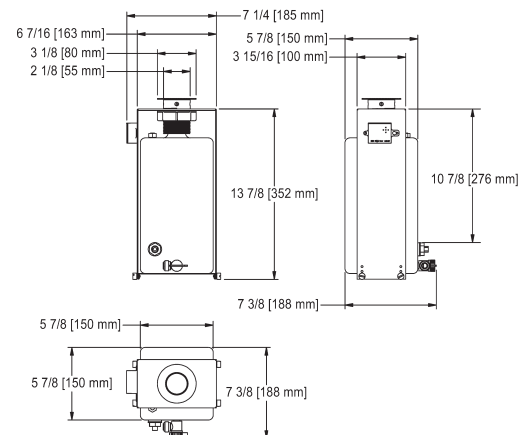
MODEL	DESCRIPTION	Overall Dimensions			FINISH	MOUNTING TYPE	PRICE
		FRONT-BACK	LEFT-RIGHT	HEIGHT			
SD01-001CFL-MF	Wall mount multifeed dispenser with light ring, polished	4 15/16" (125 mm)	1" (25 mm)	1" (25 mm)	High polish	WALL	\$ 758
SD01-001SFL-MF	Wall mount multifeed dispenser with light ring, satin finish	4 15/16" (125 mm)	1" (25 mm)	1" (25 mm)	Satin	WALL	\$ 740
SD01-003CFL-MF	Deck mount, curved multifeed dispenser with light ring, polished	5 9/16" (141 mm)	1" (25 mm)	6 5/8" (168 mm)	High polish	DECK	\$ 776
SD01-003SFL-MF	Deck mount, curved multifeed dispenser with light ring, satin finish	5 9/16" (141 mm)	1" (25 mm)	6 5/8" (168 mm)	Satin	DECK	\$ 795
SD01-002CF-MF	Deck mount multifeed dispenser, polished	5 3/8" (136 mm)	1 1/2" (38 mm)	3 13/16" (97 mm)	High polish	DECK	\$ 654
SD01-002SF-MF	Deck mount multifeed dispenser, satin finish	5 3/8" (136 mm)	1 1/2" (38 mm)	3 13/16" (97 mm)	Satin	DECK	\$ 634

## Aqua-foam multifeed soap dispenser tank, 6L SD01-MFT

Wall mounted commercial, multi-fed foam soap dispenser model can supply up to 6 dispensers. 6 litre capacity (1.6 gallons) for foam soap. Only for use with the multifeed models Franke Aqua-foam soap dispensers, in table above with suffix -MF. 6VDC plug in transformer supplied per tank. Fills through opening in countertop. Flange with LED light ring and wall mounting brackets included. LED light ring on fill cap alerts low soap conditions at a glance. During filling, an audible melody will play to alert filling is complete.

Overall dimensions **7 3/8 x 7 1/4 x 13 7/8"**

**\$ 563**



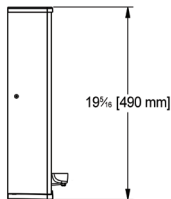
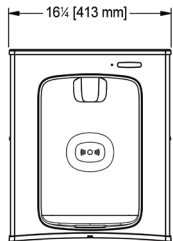
# Drinking

# Fountains



77	Quasar UVC bottle fillers
80	Bottle fillers
83	Drinking fountain & bottle filler combination
87	Split level drinking fountain & bottle filler combination
90	Drinking fountains
95	Remote chillers
96	Filtration

## Quasar UVC retrofit bottle fillers



### Quasar retrofit kit, sensor activated

#### KEPWEBQ

Retrofit a bottle filler onto an existing drinking fountain with this retrofit unit. Ideal for healthcare settings, QUASAR sensor activated bottle filler has UVC-LED treatment at the dispense point, which disinfects the water while it is being dispensed. UVC-LED also cycles on periodically to keep the dispense point sanitized between uses.

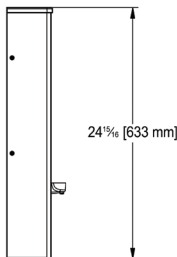
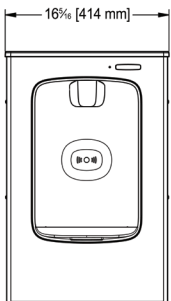
When retrofitted to either the KEP8AC or KEP8CSL the bottle filler will satisfy ANSI A117.1 and ADA requirements when properly installed. Units also meet guidelines for children's accessibility providing the floor to orifice height is 30" and proper clear floor space is provided for frontal approach.



Standard Features:

- Mercury-free UVC-LED treatment at the dispense point
  - Waterways are lead-free in materials & construction
  - Hands-free bottle filler with 20 second shut off, integrated filter monitor
- Overall dimensions **6 x 16 1/4 x 19 5/16"** (FB x LR x H)

**\$ 3,876**



### Quasar retrofit kit, surface mount, sensor activated

#### KEPWSMEBQ-STN

Surface mount bottle filler with hands-free operation.

Ideal for healthcare settings, QUASAR bottle filler has UVC-LED treatment at the dispense point, which disinfects the water while it is being dispensed. UVC-LED also cycles on periodically to keep the dispense point sanitized between uses. When retrofitted to either the KEP8AC or KEP8CSL the bottle filler will satisfy ANSI A117.1 and ADA requirements when properly installed. Units also meet guidelines for children's accessibility providing the floor to orifice height is 30" and proper clear floor space is provided for frontal approach.

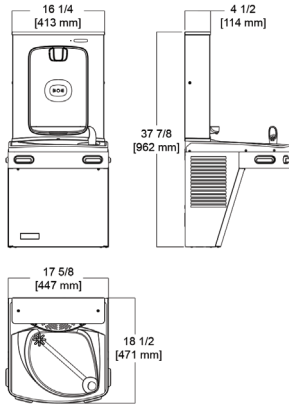


Standard Features:

- Mercury-free UVC-LED treatment at the dispense point
  - Waterways are lead-free in materials & construction
  - Hands-free bottle filler with 20 second shut off, integrated filter monitor
- Overall dimensions **5 11/16 x 16 5/16 x 24 15/16"** (FB x LR x H)

**\$ 4,103**

# Quasar UVC bottle fillers & fountains



## Universal drinking fountain and QUASAR bottle filler combination



Universal drinking fountain with QUASAR bottle filler. Includes the QUASAR sports bottle filler with hands-free activation. QUASAR bottle filler has UVC-LED treatment at the dispense point, which disinfects the water while it is being dispensed. UVC-LED also cycles on periodically to keep the dispense point sanitized between uses.

Basin is designed to eliminate splashing and standing water. Wheelchair accessible, complies with ANSI 117.1 and ADA.

Standard Features:

- Mercury-free UVC-LED treatment at the dispense point
- Waterways are lead-free in materials & construction
- Flexible one-piece water saver bubbler guard

Overall dimensions **18 1/2 x 17 5/8 x 37 7/8"** (FB x LR x H)



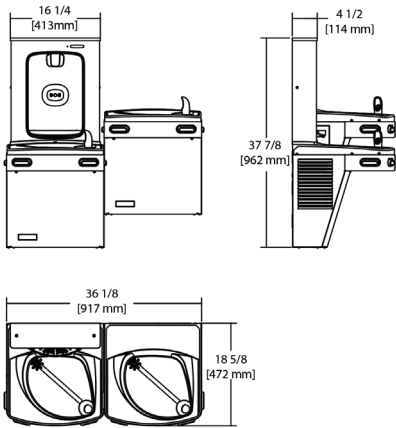
**CHILLED MODELS ONLY:** Deliver 8.0 gph (30 Lph) of 50°F (10°C) water at 90°F (32°C) ambient and 80°F (27°C) inlet water per ASHRAE 18 testing. Fountain has external cold control adjustment and uses high efficiency cooling system and refrigerant R-134a.

MODEL	FOUNTAIN ACTIVATION	CHILLED	BOTTLE FILLER ACTIVATION	UVC DISINFECTION	CABINET FINISH	PRICE
<b>KEP8AC-EBQ-STN</b>	Push pads		Contactless IR sensor		Brushed stainless steel	<b>\$ 6,509</b>
<b>KEP8AC-EBQ-GRY</b>	Push pads		Contactless IR sensor		Greystone finish	<b>\$ 6,213</b>
<b>KEPAC-EBQ-STN</b>	Push pads		Contactless IR sensor		Brushed stainless steel	<b>\$ 4,734</b>
<b>KEPAC-EBQ-GRY</b>	Push pads		Contactless IR sensor		Greystone finish	<b>\$ 4,437</b>

All products comply with all known Plumbing codes, are listed by Underwriters' Laboratories (UL) to U.S. and Canadian standard, are certified to NSF/ANSI Standard 61, NSF/ANSI Standard 372, and are lead free.



# Quasar UVC combination bottle fillers & fountains



## Universal split level drinking fountain and QUASAR bottle filler combination



Universal split level drinking fountains with one QUASAR bottle filler. Includes the QUASAR sports bottle filler with hands-free activation. QUASAR bottle filler has UVC-LED treatment at the dispense point, disinfecting the water while it is being dispensed. UVC-LED also cycles on periodically to keep the dispense point sanitized between uses. Basin is designed to eliminate splashing and standing water. Wheelchair accessible, complies with ANSI 117.1 and ADA.

Standard Features:

- Mercury-free UVC-LED treatment at the dispense point
- Waterways are lead-free in materials & construction
- Flexible one-piece water saver bubbler guard

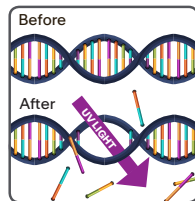
Overall dimensions **18 5/8 x 36 1/8 x 37 7/8"** (FB x LR x H)



CHILLED MODELS ONLY: Deliver 8.0 gph (30 Lph) of 50°F (10°C) water at 90°F (32°C) ambient and 80°F (27°C) inlet water per ASHRAE 18 testing. Fountain has external cold control adjustment and uses high efficiency cooling system and refrigerant R-134a.

MODEL	FOUNTAIN ACTIVATION	CHILLED	BOTTLE FILLER ACTIVATION	UVC DISINFECTION	CABINET FINISH	PRICE
KEP8ACSL-EBQ-STN	Push pads		Contactless IR sensor		Brushed stainless steel	<b>\$ 7,856</b>
KEP8ACSL-EBQ-GRY	Push pads		Contactless IR sensor		Greystone finish	<b>\$ 7,562</b>
KEPACSL-EBQ-STN	Push pads		Contactless IR sensor		Brushed stainless steel	<b>\$ 6,082</b>
KEPACSL-EBQ-GRY	Push pads		Contactless IR sensor		Greystone finish	<b>\$ 5,787</b>

## SPOTLIGHT ON UVC-LED WATER TREATMENT



UVC LED light penetrates cell walls and destroys pathogens at point of dispensation.

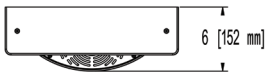


Truly chemical-free water disinfection does not alter the taste of treated water.



UVC light pulses every 10 minutes of inactivity to keep dispense point sanitized.

## Bottle filler retrofit kits



### Retrofit bottle filler, sensor activated KEPWEBF

Designed to retrofit on existing KEPAC family of coolers as well as existing competitors products. Cabinet finish is brushed stainless steel. Waterways are lead-free in materials and construction.

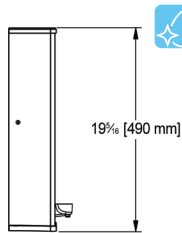
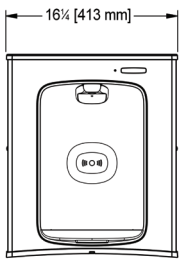
If installed onto a filtered water cooler, the status indicator can signal when filter changes are recommended. With non-filtered coolers, this system status will remain green. This retrofit is not meant to install on an electric eye cooler. Units with optional glass fillers must have the glass filler disconnected and removed. Surface mount frame assembly. Installation instructions included.

1.0 gpm (3.7 Lpm) flow rate.

Sensor activated bottle filler with electronic digital counter.

Overall dimensions **6 x 16 1/4 x 19 5/16"** (FB x LR x H)

**\$1,772**



### Retrofit bottle filler, sensor activated with bottle filler filtration included KEPWEBFF

Versafilter III filtration kit factory installed.

**\$1,949**



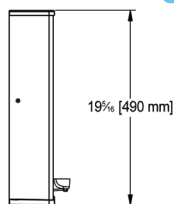
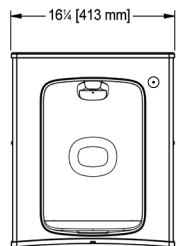
### Retrofit bottle filler, manual activation KEPWSBF

The KEPWSBF sports bottle filler is designed to retrofit on existing KEPAC family of coolers as well as existing competitors products. Cabinet finish is brushed stainless steel. Waterways are lead-free in materials and construction.

Unit is mechanically activated with a push button. Surface mount frame assembly. Installation instructions included. 0.5gpm (1.9 Lpm) flow rate.

Overall dimensions **6 7/16 x 16 1/4 x 19 5/16"** (FB x LR x H)

**\$1,445**



### Retrofit bottle filler, manual activation with bottle filler filtration included KEPWSBFF

Versafilter III filtration kit factory installed.

**\$1,599**

## Bottle fillers, surface mount



### Surface mount, sensor activated bottle filler

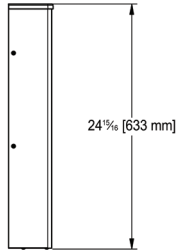
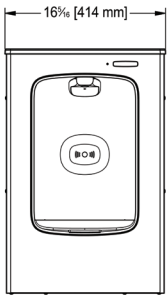
#### KEPWSMEBF-STN

Surface mount sports bottle fillers are non-refrigerated units that deliver ambient water. Built-in 100 micron strainer stops particles before they enter the waterway. Waterways are lead-free in materials and construction. Heavy duty steel frame. Tailpiece is sized to accept either 1 1/2" (38 mm) or 1 1/4" (32 mm) P-trap. P-Trap not included.

Sensor activated with bottle counter.

Overall dimensions **5 11/16 x 16 5/16 x 24 15/16"** (FB x LR x H)

**\$ 2,443**



### Surface mount, manually activated bottle filler

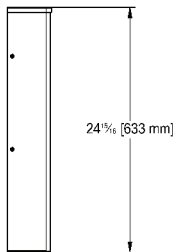
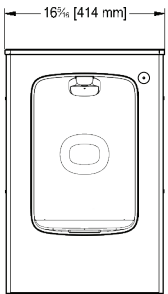
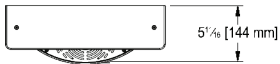
#### KEPWSMSBF-STN

Surface mount sports bottle fillers are non-refrigerated units that deliver ambient water. Built-in 100 micron strainer stops particles before they enter the waterway. Waterways are lead-free in materials and construction. Heavy duty steel frame. Tailpiece is sized to accept either 1 1/2" (38 mm) or 1 1/4" (32 mm) P-trap. P-Trap not included.

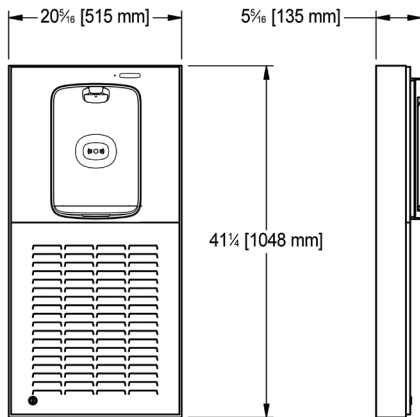
Manually activated with push button.

Overall dimensions **5 11/16 x 16 5/16 x 24 15/16"** (FB x LR x H)

**\$ 2,168**



## Bottle fillers, stand alone



### Stand alone bottle fillers



Stand alone wall mounted sports bottle filler with frame. Heavy duty galvanized steel frame with brushed stainless steel panels. Built-in 100 micron strainer stops particles before they enter the waterway. Included tailpiece is sized to accept either 1 1/2" (38 mm) or 1 1/4" (32 mm) P-trap (not included). Waterways are lead-free in materials & construction.

**Surface mount model does not need a cut-out for this unit to mount on the wall, only a small cut-out for the water line.**



**CHILLED MODELS ONLY:** Deliver 8.0 gph (30 Lph) of 50°F (10°C) water at 90°F (32°C) ambient and 80°F (27°C) inlet water per ASHRAE 18 testing. Fountain has external cold control adjustment and uses high efficiency cooling system and refrigerant R-134a.



QUASAR bottle filler model has UVC-LED treatment at the dispense point, which disinfects the water while it is being dispensed. UVC-LED also cycles on periodically to keep the dispense point sanitized between uses.

MODEL	MOUNTING TYPE	CHILLED	BOTTLE FILLER ACTIVATION	UVC DISINFECTION	FRONT-TO-BACK DIMENSIONS	PRICE
<b>KEMWSM8EBF-STN</b>	Surface		Contactless IR sensor		5 5/16" (135 mm)	<b>\$ 9,302</b>
<b>KEMWSM8SBF-STN</b>	Surface		Push button		5 5/16" (135 mm)	<b>\$ 7,200</b>
<b>KEMWSMEBF-STN</b>	Surface		Contactless IR sensor		5 5/16" (135 mm)	<b>\$ 7,912</b>
<b>KEMWSMSBF-STN</b>	Surface		Push button		5 5/16" (135 mm)	<b>\$ 5,954</b>
<b>KEMW8EBQ-STN</b>	Recessed		Contactless IR sensor		1 5/16" (33 mm)	<b>\$ 4,585</b>
<b>KEMW8EBF-STN</b>	Recessed		Contactless IR sensor		1 5/16" (33 mm)	<b>\$ 8,407</b>
<b>KEMW8SBF-STN</b>	Recessed		Push button		1 5/16" (33 mm)	<b>\$ 6,396</b>
<b>KEMWEBF-STN</b>	Recessed		Contactless IR sensor		1 5/16" (33 mm)	<b>\$ 7,017</b>

All products comply with all known Plumbing codes, are listed by Underwriters' Laboratories (UL) to U.S. and Canadian standard, are certified to NSF/ANSI Standard 61, NSF/ANSI Standard 372, and are lead free.

# Modular combination bottle fillers & fountains



## Modular combination, chilled, manually activated bottle filler

### KEM8-SBF-STN

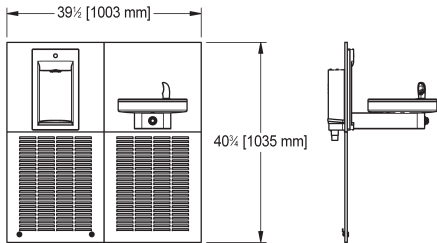
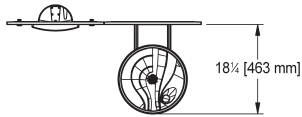
Recessed sports bottle filler chilled drinking fountain combination. Heavy duty galvanized steel frame with brushed stainless steel panels. Built-in 100 micron strainer stops particles before they enter the waterway.

Universal installation, sports bottle filler can be installed either left or right. Drinking fountain has a vandal resistant push button. Included tailpiece is sized to accept either 1 1/2" (38 mm) or 1 1/4" (32 mm) P-trap (not included).

#### Standard Features

- Waterways are lead-free in materials & construction
- Flexible one-piece water saver bubbler guard
- High efficiency cooling system and refrigerant R-134a
- Push button sports bottle filler

Overall dimensions **18 1/4 x 39 1/2 x 40 3/4"** (FB x LR x H)



**\$ 10,406**



## Modular combination, chilled, sensor activated bottle filler

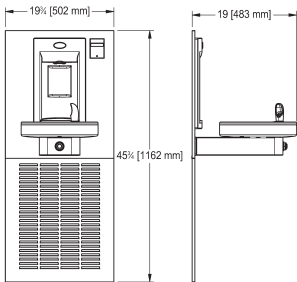
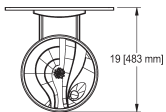
### KEM8WR-EBF-STN

Combination chilled drinking fountain with electronic sports bottle filler. Sports bottle filler cabinet finish is brushed stainless steel. Drinking fountain is mechanically activated. Built-in 100 micron strainer stops particles before they enter the waterway. One piece stainless steel top. Wheelchair accessible, complies with ANSI 117.1 and ADA.

#### Standard Features

- Waterways are lead-free in materials & construction
- Flexible one-piece water saver bubbler guard
- Heavy duty galvanized steel frame
- High efficiency cooling system and refrigerant R-134a
- Contactless sports bottle filler

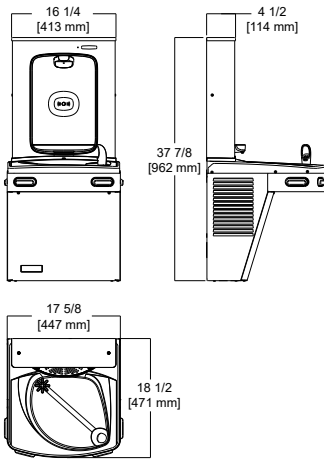
Overall dimensions **19 x 19 3/4 x 45 3/4"** (FB x LR x H)



**\$ 9,878**



# Universal combination drinking fountains with electronic bottle filler



## Universal drinking fountain and bottle filler combination



Universal drinking fountain with electronic bottle filler. Basin is designed to eliminate splashing and standing water. Water saver bubbler reduces wasted water by 50% and has a flexible guard and that operates between 20 and 100 PSI (1.4 – 6.9 bar). Wheelchair accessible, complies with ANSI 117.1 and ADA.

Standard features:

- Waterways are lead-free in materials & construction
- Flexible one-piece water saver bubbler guard
- Stainless steel top and heavy-duty galvanized steel frame
- External stream height adjustment

Overall dimensions **18 1/2 x 17 5/8 x 37 7/8"** (FB x LR x H)



**CHILLED MODELS ONLY:** Deliver 8.0 gph (30 Lph) of 50°F (10°C) water at 90°F (32°C) ambient and 80°F (27°C) inlet water per ASHRAE 18 testing. Fountain has external cold control adjustment and uses high efficiency cooling system and refrigerant R-134a.



**MODELS WITH FILTRATION INCLUDED ONLY:** Factory-installed Versafilter III filtration unit included. Filtration unit is located behind the bottle filler. Tilt-n-tether system makes filter changes quick and easy. See page 97 for filtration information.

MODEL	FOUNTAIN ACTIVATION	CHILLED	BOTTLE FILLER ACTIVATION	FILTRATION INCLUDED	CABINET FINISH	PRICE
<b>KEP8ACT-EBF-STN</b>	Contactless IR sensor		Contactless IR sensor		Brushed stainless steel	<b>\$ 6,634</b>
<b>KEP8ACT-EBFF-STN</b>	Contactless IR sensor		Contactless IR sensor		Brushed stainless steel	<b>\$ 6,811</b>
<b>KEP8ACT-EBF-GRY</b>	Contactless IR sensor		Contactless IR sensor		Greystone finish	<b>\$ 6,130</b>
<b>KEP8ACT-EBFF-GRY</b>	Push pads		Contactless IR sensor		Greystone finish	<b>\$ 6,307</b>
<b>KEP8AC-EBF-STN</b>	Push pads		Contactless IR sensor		Brushed stainless steel	<b>\$ 4,280</b>
<b>KEP8AC-EBF-GRY</b>	Push pads		Contactless IR sensor		Greystone finish	<b>\$ 3,939</b>
<b>KEPAC-EBF-STN</b>	Push pads		Contactless IR sensor		Brushed stainless steel	<b>\$ 3,997</b>
<b>KEPAC-EBF-GRY</b>	Push pads		Contactless IR sensor		Greystone finish	<b>\$ 3,679</b>

All products comply with all known Plumbing codes, are listed by Underwriters' Laboratories (UL) to U.S. and Canadian standard, are certified to NSF/ANSI Standard 61, NSF/ANSI Standard 372, and are lead free.

# Universal combination drinking fountains with manual bottle filler



## Universal drinking fountain and bottle filler combination



Universal drinking fountain with push button bottle filler. Basin is designed to eliminate splashing and standing water. Water saver bubbler reduces wasted water by 50% and has a flexible guard and that operates between 20 and 100 PSI (1.4 – 6.9 bar). Wheelchair accessible, complies with ANSI 117.1 and ADA.

### Standard features:

- Waterways are lead-free in materials & construction
- Flexible one-piece water saver bubbler guard
- Stainless steel top and heavy-duty galvanized steel frame
- External stream height adjustment

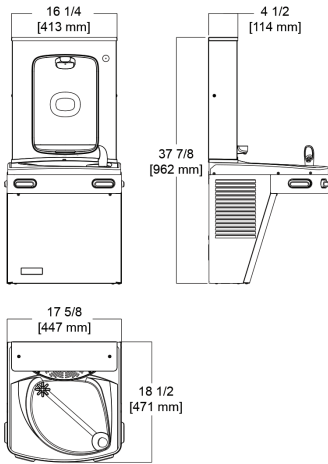
Overall dimensions **18 1/2 x 17 5/8 x 37 7/8"** (FB x LR x H)



**CHILLED MODELS ONLY:** Deliver 8.0 gph (30 Lph) of 50°F (10°C) water at 90°F (32°C) ambient and 80°F (27°C) inlet water per ASHRAE 18 testing. Fountain has external cold control adjustment and uses high efficiency cooling system and refrigerant R-134a.

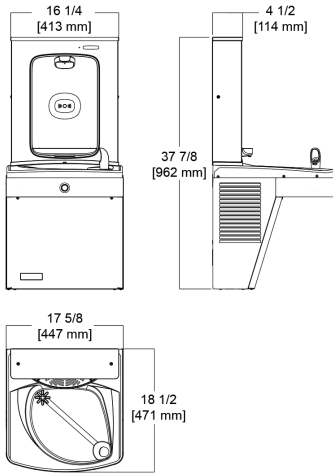


**MODELS WITH FILTRATION INCLUDED ONLY:** Factory-installed Versafilter III filtration unit included. Filtration unit is located behind the bottle filler. Tilt-n-tether system makes filter changes quick and easy. See page 97 for filtration information.



MODEL	FOUNTAIN ACTIVATION	CHILLED	BOTTLE FILLER ACTIVATION	FILTRATION INCLUDED	CABINET FINISH	PRICE
<b>KEP8AC-SBF-STN</b>	Push pads		Push button		Brushed stainless steel	<b>\$ 4,038</b>
<b>KEP8AC-SBFF-STN</b>	Push pads		Push button		Brushed stainless steel	<b>\$ 4,160</b>
<b>KEP8AC-SBF-GRY</b>	Push pads		Push button		Greystone finish	<b>\$ 3,353</b>
<b>KEP8AC-SBFF-GRY</b>	Push pads		Push button		Greystone finish	<b>\$ 3,530</b>
<b>KEPAC-SBF-STN</b>	Push pads		Push button		Brushed stainless steel	<b>\$ 3,476</b>
<b>KEPAC-SBF-GRY</b>	Push pads		Push button		Greystone finish	<b>\$ 3,171</b>

# Vandal-resistant universal combination bottle fillers & fountains



## Universal drinking fountain and bottle filler combination, vandal-resistant



Vandal-resistant combination drinking fountain sports bottle filler. Basin is designed to eliminate splashing and standing water. Cabinet finish is brushed stainless steel. Waterways are lead-free in materials and construction. Drinking fountain is push button activated. Built-in 100 micron strainer stops particles before they enter the waterway. Heavy duty galvanized steel frame. Wheelchair accessible, complies with ANSI 117.1 and ADA.

### Standard Features

- Waterways are lead-free in materials & construction
- Flexible one-piece water saver bubbler guard
- Stainless steel top and heavy-duty galvanized steel frame
- Vandal-resistant push button activation on drinking fountain

Overall dimensions **18 1/2 x 17 5/8 x 37 7/8"** (FB x LR x H)

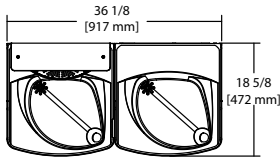
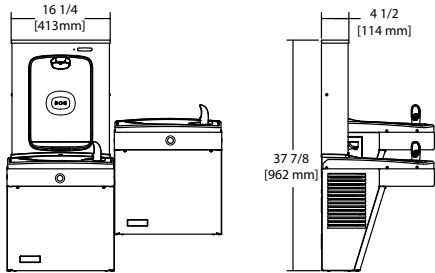


**CHILLED MODELS ONLY:** Deliver 8.0 gph (30 Lph) of 50°F (10°C) water at 90°F (32°C) ambient and 80°F (27°C) inlet water per ASHRAE 18 testing. Fountain uses high efficiency cooling system and refrigerant R-134a.

MODEL	FOUNTAIN ACTIVATION	CHILLED	BOTTLE FILLER ACTIVATION	FILTRATION OPTION	CABINET FINISH	PRICE
<b>KEPV8AC-EBF-STN</b>	Vandal-resistant push button		Contactless IR sensor	Optional: F041253-001	Brushed stainless steel	<b>\$ 6,078</b>
<b>KEPV8AC-SBF-STN</b>	Vandal-resistant push button		Push button	Optional: F041253-001	Brushed stainless steel	<b>\$ 4,070</b>
<b>KEPVAC-EBF-STN</b>	Vandal-resistant push button		Contactless IR sensor	Optional: F041253-001	Brushed stainless steel	<b>\$ 5,334</b>
<b>KEPVAC-SBF-STN</b>	Vandal-resistant push button		Push button	Optional: F041253-001	Brushed stainless steel	<b>\$ 3,283</b>

All products comply with all known Plumbing codes, are listed by Underwriters' Laboratories (UL) to U.S. and Canadian standard, are certified to NSF/ANSI Standard 61, NSF/ANSI Standard 372, and are lead free.

# Vandal-resistant split-level combination bottle fillers & fountains



## Universal drinking fountain and bottle filler combination, vandal-resistant



Vandal-resistant split-level combination drinking fountain sports bottle filler. Basin is designed to eliminate splashing and standing water. Cabinet finish is brushed stainless steel. Waterways are lead-free in materials and construction. Drinking fountain is push button activated. Built-in 100 micron strainer stops particles before they enter the waterway. Heavy duty galvanized steel frame. Wheelchair accessible, complies with ANSI 117.1 and ADA.

### Standard Features

- Waterways are lead-free in materials & construction
- Flexible one-piece water saver bubbler guard
- Stainless steel top and heavy-duty galvanized steel frame
- Vandal-resistant push button activation on drinking fountain

Overall dimensions **18 1/2 x 36 1/8 x 37 7/8"** (FB x LR x H)



**CHILLED MODELS ONLY:** Deliver 8.0 gph (30 Lph) of 50°F (10°C) water at 90°F (32°C) ambient and 80°F (27°C) inlet water per ASHRAE 18 testing. Fountain uses high efficiency cooling system and refrigerant R-134a.

MODEL	FOUNTAIN ACTIVATION	CHILLED	BOTTLE FILLER ACTIVATION	FILTRATION OPTION	CABINET FINISH	PRICE
<b>KEPV8ACSL-EBF-STN</b>	Vandal-resistant push button		Contactless IR sensor	Optional: F041253-001	Brushed stainless steel	<b>\$ 8,164</b>
<b>KEPV8ACSL-SBF-STN</b>	Vandal-resistant push button		Push button	Optional: F041253-001	Brushed stainless steel	<b>\$ 4,249</b>
<b>KEPVACSL-EBF-STN</b>	Vandal-resistant push button		Contactless IR sensor	Optional: F041253-001	Brushed stainless steel	<b>\$ 6,863</b>
<b>KEPVACSL-SBF-STN</b>	Vandal-resistant push button		Push button	Optional: F041253-001	Brushed stainless steel	<b>\$ 3,972</b>

# Universal combination, split-level bottle fillers & fountains



## Universal split-level fountain and bottle filler combination



Universal split-level drinking fountain with bottle filler. Bottle filler can be mounted on high or low side. Basin is designed to eliminate splashing and standing water. Water saver bubbler reduces wasted water by 50% and has a flexible guard and that operates between 20 and 100 PSI (1.4 – 6.9 bar).

Wheelchair accessible, complies with ANSI 117.1 and ADA.

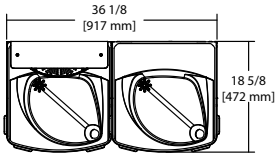
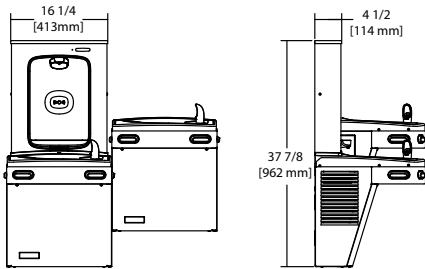
Standard features:

- Waterways are lead-free in materials & construction
- Flexible one-piece water saver bubbler guard
- Stainless steel top and heavy-duty galvanized steel frame
- External stream height adjustment

Overall dimensions **18 5/8 x 18 1/2 x 21 3/16"** (FB x LR x H)



**CHILLED MODELS ONLY:** Deliver 8.0 gph (30 Lph) of 50°F (10°C) water at 90°F (32°C) ambient and 80°F (27°C) inlet water per ASHRAE 18 testing. Fountain has external cold control adjustment and uses high efficiency cooling system and refrigerant R-134a.



MODEL	FOUNTAIN ACTIVATION	CHILLED	BOTTLE FILLER ACTIVATION	FILTRATION OPTION	CABINET FINISH	PRICE
<b>KEP8ACSL-EBF-STN</b>	Push pads		Contactless IR sensor	Optional: F041253-001	Brushed stainless steel	<b>\$ 6,316</b>
<b>KEP8ACSL-EBF-GRY</b>	Push pads		Contactless IR sensor	Optional: F041253-001	Greystone finish	<b>\$ 6,242</b>
<b>KEP8ACSL-SBF-STN</b>	Push pads		Push button	Optional: F041253-001	Brushed stainless steel	<b>\$ 5,452</b>
<b>KEP8ACSL-SBF-GRY</b>	Push pads		Push button	Optional: F041253-001	Greystone finish	<b>\$ 5,162</b>
<b>KEPACSL-EBF-STN</b>	Push pads		Contactless IR sensor	Optional: F041253-001	Brushed stainless steel	<b>\$ 4,711</b>
<b>KEPACSL-EBF-GRY</b>	Push pads		Contactless IR sensor	Optional: F041253-001	Greystone finish	<b>\$ 4,051</b>
<b>KEPACSL-SBF-STN</b>	Push pads		Push button	Optional: F041253-001	Brushed stainless steel	<b>\$ 4,652</b>
<b>KEPACSL-SBF-GRY</b>	Push pads		Push button	Optional: F041253-001	Greystone finish	<b>\$ 3,871</b>

All products comply with all known Plumbing codes, are listed by Underwriters' Laboratories (UL) to U.S. and Canadian standard, are certified to NSF/ANSI Standard 61, NSF/ANSI Standard 372, and are lead free.



# NEW Tilt 'n Tether System



## 2 minutes to change the filter

Filtration unit located behind the bottle filler makes filter changes quick and easy. Get it done in two minutes or less! An automatic shut-off valve inside the head engages when a filter is removed or installed.

## Versafilter III

A flexible water treatment that effectively reduces chlorine, odours, cysts, and lead. It also improves the taste and appearance of drinking water.

## Tilt 'n Tether system

The factory-installed tethering system allows for secure filtration changes. The tether holds the front of the bottle filler unit in place while you change the filtration canister.

## Drinking water you can trust



Deliver safe, refreshing drinking water with Franke fountains and bottle fillers. Add the convenience of chilled drinking water for everyone in your facility.

Reduce the cost and waste associated with disposable water bottles and provide great tasting water on-demand. Bottle fillers reduce plastic bottle waste, save consumers money, and offer convenient drinking water in high-traffic areas.

Want to modernize your facility on a tight budget? **Retrofit.** Franke offers a range of retrofit models of bottle fillers that are quick and easy to install and cost less than full replacement.



Components are lead free.  
Products certified to NSF/ANSI Standard 51G & 372. Significantly more water and energy efficient.

# Universal drinking fountain



## Universal drinking fountain



Universal wall mounted drinking fountain. Basin is designed to eliminate splashing and standing water. Water saver bubbler reduces wasted water by 50% and has a flexible guard and that operates between 20 and 100 PSI (1.4 – 6.9 bar). Complies with ANSI 117.1 and ADA.

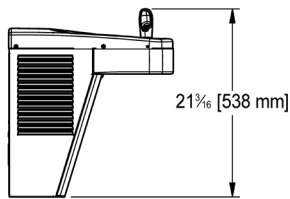
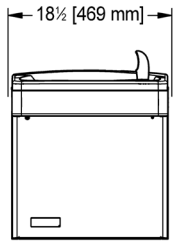
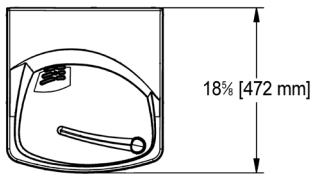
Standard features:

- Waterways are lead-free in materials & construction
- Flexible one-piece water saver bubbler guard
- Stainless steel top and heavy-duty galvanized steel frame
- External stream height adjustment

Overall dimensions **18 5/8 x 18 1/2 x 21 3/16"** (FB x LR x H)



CHILLED MODELS ONLY: Deliver 8.0 gph (30 Lph) of 50°F (10°C) water at 90°F (32°C) ambient and 80°F (27°C) inlet water per ASHRAE 18 testing. Fountain has external cold control adjustment and uses high efficiency cooling system and refrigerant R-134a.



MODEL	FOUNTAIN ACTIVATION	CHILLED	FILTRATION OPTION	CABINET FINISH	PRICE
<b>KEP8ACT-STN</b>	Contactless IR sensor		Optional: F041253-001	Brushed stainless steel	<b>\$ 4,387</b>
<b>KEP8ACT-GRY</b>	Contactless IR sensor		Optional: F041253-001	Greystone finish	<b>\$ 3,398</b>
<b>KEP8AC-STN</b>	Push pads		Optional: F041253-001	Brushed stainless steel	<b>\$ 1,992</b>
<b>KEP8AC-GRY</b>	Push pads		Optional: F041253-001	Greystone finish	<b>\$ 1,770</b>
<b>KEPAC-STN</b>	Push pads		Optional: F041253-001	Brushed stainless steel	<b>\$ 1,710</b>
<b>KEPAC-GRY</b>	Push pads		Optional: F041253-001	Greystone finish	<b>\$ 1,496</b>



## Universal retrofit kit to convert push pad to sensor activated, single fountain KE041208-101

Contactless Conversion Kit and converts an existing KEPAC series drinking fountain into a contactless unit with hands-free water activation by eliminating the front and side push-bars.

Features:

- Easily converts manual units to contactless in just minutes.
- Stainless universal conversion kits are compatible with all powder coat finishes.
- Compatible with KEPAC models dating back to 2005.
- All necessary components are included in one kit; no wiring required.

**\$1,065**

All products comply with all known Plumbing codes, are listed by Underwriters' Laboratories (UL) to U.S. and Canadian standard, are certified to NSF/ANSI Standard 61, NSF/ANSI Standard 372, and are lead free.

# Universal drinking fountain



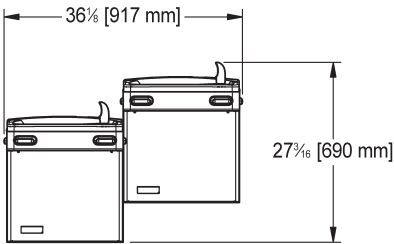
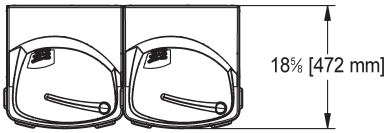
## Universal split-level drinking fountain

Universal split-level wall mounted drinking fountain. Basin is designed to eliminate splashing and standing water. Water saver bubbler reduces wasted water by 50% and has a flexible guard and that operates between 20 and 100 PSI (1.4 – 6.9 bar). Complies with ANSI 117.1 and ADA.

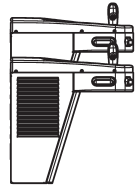
Standard features:

- Waterways are lead-free in materials & construction
- Flexible one-piece water saver bubbler guard
- Stainless steel top and heavy-duty galvanized steel frame
- External stream height adjustment

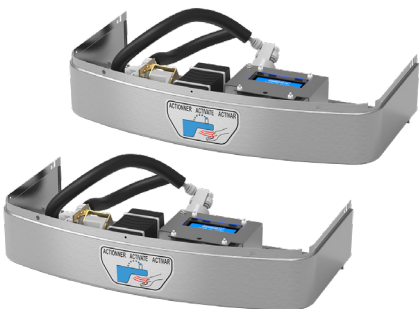
Overall dimensions **18 5/8 x 18 1/2 x 27 3/16"** (FB x LR x H)



CHILLED MODELS ONLY: Deliver 8.0 gph (30 Lph) of 50°F (10°C) water at 90°F (32°C) ambient and 80°F (27°C) inlet water per ASHRAE 18 testing. Fountains have external cold control adjustment and use high efficiency cooling system and refrigerant R-134a.



MODEL	FOUNTAINS ACTIVATION	CHILLED	FILTRATION OPTION	CABINET FINISH	PRICE
<b>KEP8ACSLT-STN</b>	Contactless IR sensor		Optional: F041253-001	Brushed stainless steel	<b>\$ 7,691</b>
<b>KEP8ACSLT-GRY</b>	Contactless IR sensor		Optional: F041253-001	Greystone finish	<b>\$ 7,336</b>
<b>KEP8ACSL-STN</b>	Push pads		Optional: F041253-001	Brushed stainless steel	<b>\$ 3,565</b>
<b>KEP8ACSL-GRY</b>	Push pads		Optional: F041253-001	Greystone finish	<b>\$ 3,310</b>
<b>KEPACSL-GRY</b>	Push pads		Optional: F041253-001	Greystone finish	<b>\$ 2,020</b>



## Universal retrofit kit to convert push pad to sensor activated, split-level fountain

### KE041208-301

Double conversion kit for split-level drinking fountains. Contactless Conversion Kit and converts an existing KEPACSL series drinking fountain into contactless units with hands-free water activation by eliminating the front and side push-bars.

**\$ 2,809**

## Universal drinking fountains, vandal-resistant models



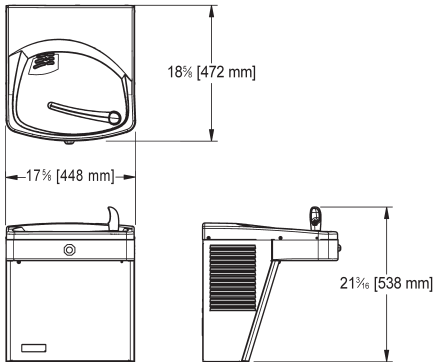
### Universal, vandal-resistant drinking fountain, chilled KEPV8AC-STN

Universal chilled drinking fountain. Waterways are lead-free in materials and construction. Drinking fountains have built-in 100 micron strainers which stop particles before they enter the waterway. Stainless steel top with a one piece, low flow, tamper proof flexible bubbler. Heavy duty galvanized steel frame. 8 gph chiller, vandal resistant push button, no external stream height adjustment, stainless steel cabinet.

Overall dimensions **18<sup>5</sup>/<sub>8</sub> x 17<sup>5</sup>/<sub>8</sub> x 21<sup>3</sup>/<sub>16</sub>"** (FB x LR x H)



**\$ 2,883**



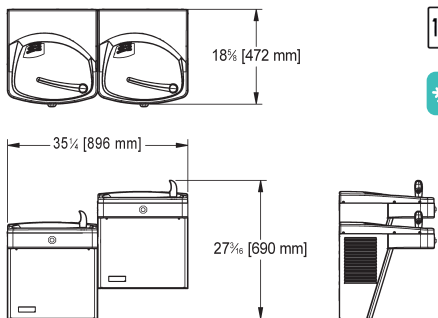
### Universal, vandal-resistant split level drinking fountain, chilled KEPV8ACSL-STN

Universal non-chilled drinking fountain. Waterways are lead-free in materials and construction. Drinking fountains have built-in 100 micron strainers which stop particles before they enter the waterway. Stainless steel top with a one piece, low flow, tamper proof flexible bubbler. Heavy duty galvanized steel frame. 8 gph chiller, vandal resistant push button, no external stream height adjustment, stainless steel cabinet.

Overall dimensions **18<sup>5</sup>/<sub>8</sub> x 35<sup>1</sup>/<sub>4</sub> x 27<sup>3</sup>/<sub>16</sub>"** (FB x LR x H)



**\$ 4,491**



### Universal split-level drinking fountain, chilled, stainless steel cabinet KEPV8ACSL-14G

Ultra vandal-resistant 14 gauge stainless steel cabinet.



**\$ 8,744**

## Classic series drinking fountains



### Chilled, floor mount drinking fountain, 3 gph chiller

#### KEP3CP-GRY

Free standing chilled drinking fountain. Waterways are lead-free in materials and construction. Stainless steel top with heavy gauge steel frame in graystone finish. High-efficiency cooling tank and coil. Dial-a-drink bubbler.

3 gallons per hour chiller.

Overall dimensions **12<sup>5</sup>/<sub>8</sub> x 12<sup>1</sup>/<sub>8</sub> x 44"** (FB x LR x H)



**\$ 2,196**

### Chilled, floor mount drinking fountain, 5 gph chiller

#### KEP5CP-GRY

5 gallons per hour chiller option for model above.

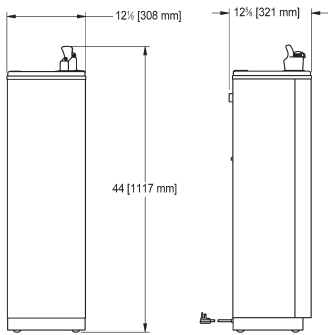
**\$ 2,293**

### Chilled, floor mount drinking fountain, 10 gph chiller

#### KEP10CP-GRY

10 gallons per hour chiller option for model above.

**\$ 2,483**



### Chilled, wall mount drinking fountain 1/4 HP

#### KEP8M-STN

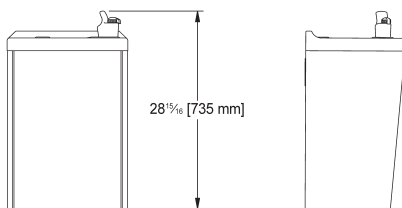
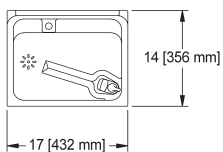
Wall mounted chilled drinking fountain. Waterways are lead-free in materials and construction. Stainless steel top with heavy gauge steel frame. High-efficiency cooling tank and coil. Dial-a-drink bubbler.

8 gallons per hour chiller.

Overall dimensions **14 x 17 x 28<sup>15</sup>/<sub>16</sub>"** (FB x LR x H)



**\$ 3,070**





## Classic series drinking fountains



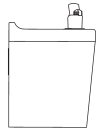
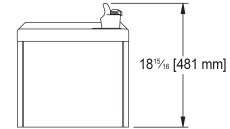
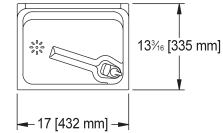
### Non-chilled, compact wall mount drinking fountain, greystone finish cabinet

#### KEPCM-GRY

Compact wall mounted drinking fountain. Greystone powder coated paint on steel. Waterways are lead-free in materials and construction. Stainless steel top with heavy gauge steel frame. Dial-a-drink bubbler. Overall dimensions

**13<sup>3</sup>/<sub>16</sub> x 17 x 18<sup>15</sup>/<sub>16</sub>"** (FB x LR x H)

**\$ 1,074**



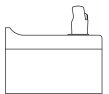
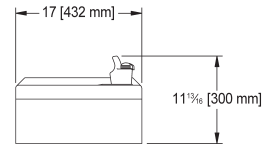
### Non-chilled, wall mount drinking fountain with anti-splash ridge

#### KEF100-STN

Wall mounted non-chilled drinking fountain with stainless steel cabinet and dial-a-drink bubbler. Anti-splash ridge. Waterways are lead-free in materials and construction. Easy to clean integral strainer grid. Stainless steel top with heavy gauge steel frame. Overall dimensions

**13 x 17 x 11<sup>13</sup>/<sub>16</sub>"** (FB x LR x H)

**\$ 1,251**



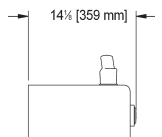
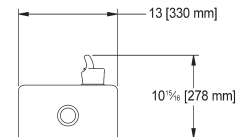
### Non-chilled, wall mount drinking fountain

#### KEF110PM-STN

Wall mounted non-chilled drinking fountain with vandal resistant push button. Waterways are lead-free in materials and construction. Stainless steel top with heavy gauge steel frame. Overall dimensions

**14<sup>1</sup>/<sub>8</sub> x 13 x 10<sup>15</sup>/<sub>16</sub>"** (FB x LR x H)

**\$ 2,366**



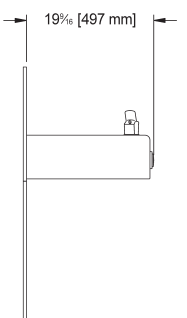
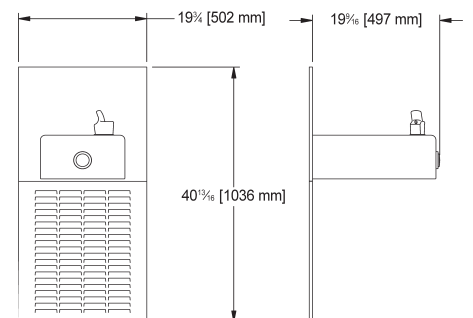
### Chilled, drinking fountain with stainless steel cabinet

#### KEM8SBPM-STN

Chilled, push button drinking fountain with stainless steel cabinet fountain. Heavy duty galvanized steel wall mounting frame with brushed stainless panels. Waterways are lead-free in materials and construction. Built-in 100 micron strainer stops particles before they enter the waterway. Free flow bubbler. Overall dimensions

**19<sup>9</sup>/<sub>16</sub> x 19<sup>3</sup>/<sub>4</sub> x 40<sup>13</sup>/<sub>16</sub>"** (FB x LR x H)

**\$ 5,485**



## Drinking fountains - remote chillers



### Under-cabinet remote chiller

#### KER1P

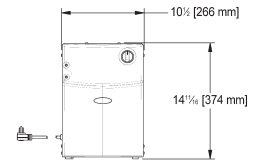
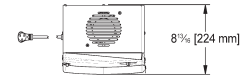
Powder coated galvanized steel cabinet with plastic front. Chiller is air cooled and designed to fit under a sink. Stainless steel cabinet storage tank and waterways.

1/4" OD water tube connection. Chills 0.8 gallons per hour. HFC refrigerant R-134a. Dial on front of unit allows control of water temperature.

Overall dimensions

**8 13/16 x 10 1/2 x 14 11/16"** (FB x LR x H)

**\$1,473**



### Remote chiller for drinking fountains, 5 gallons per hour capacity

#### KER5

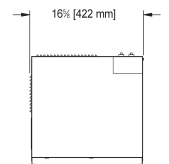
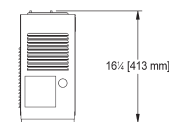
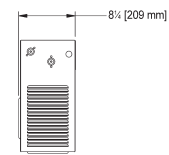
May be used to supply up to two drinking fountains. Galvanized steel cabinet. Chiller is air cooled and is designed for remote installation. Stainless steel cabinet storage tank. 1/4" OD stainless steel water tube connections. Refrigerant R-134a.

5 gph commercial grade chiller.

Overall dimensions

**16 5/8 x 8 1/4 x 16 1/4"** (FB x LR x H)

**\$1,969**



### Remote chiller for drinking fountains, 8 gallons per hour capacity

#### KER8

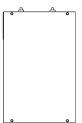
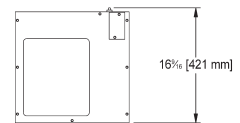
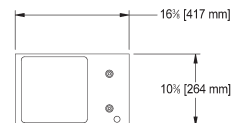
May be used to supply up to two drinking fountains. Galvanized steel cabinet. Chiller is air cooled and is designed for remote installation. Stainless steel cabinet storage tank. 1/4" OD stainless steel water tube connections. Refrigerant R-134a.

8 gph commercial grade chiller.

Overall dimensions

**16 3/8 x 10 3/8 x 16 9/16"** (FB x LR x H)

**\$2,468**



### Remote chiller for drinking fountains, 12 gallons per hour capacity

#### KER12

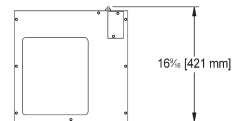
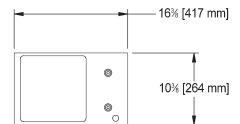
May be used to supply up to two drinking fountains. Galvanized steel cabinet. Chiller is air cooled and is designed for remote installation. Stainless steel cabinet storage tank. 1/4" OD stainless steel water tube connections. Refrigerant R-134a.

12 gph commercial grade chiller.

Overall dimensions

**16 3/8 x 10 3/8 x 16 9/16"** (FB x LR x H)

**\$2,802**



# VersaFilter III Filtration



Deliver great tasting water through point of use filtration.

**Tilt 'n Tether system makes filter changes quick & easy**

- Change filter behind the bottle filler unit
- The tether holds the unit in place and gives access to the filter
- Automatic shut-off valve inside the head engages when filter is inserted or removed

**Improve the taste and appearance of drinking water**

- Reduces the levels of lead, cysts, chlorine, and particulates
- Drinking water that is virtually free of sediment, rust, and dirt

**Upgrade to cleaner water in schools, offices, airports and gyms**

- High performance filtration means fewer filter changes per year
- Reduce the risk of lead exposure through drinking water with point of use filtration

Cartridge F041145-001, when used in the VersaFilter III system is tested and certified by IAPMO R&T Lab and IAPMO R&T against NSF/ANSI 42 for the reduction of Chlorine, Taste and Odour and Particulate Class I; NSF/ANSI 53 for the reduction of Cyst and Lead; as verified and substantiated by test data.

## Drinking fountain filtration



### VersaFilter III bottle filler filtration

The VersaFilter III bottle filler filtration kit is certified to NSF/ANSI 42 and 53 for lead, Particulate Class I, chlorine, taste and odour reduction to 18,000 litres (4,750 gallons). Automatic shut-off valve inside the filter allows you to unscrew the old filter and install the new one in under two minutes.

Franke bottle filler has unique Tilt 'n Tether system to make it quick and easy to change the filter. Kit includes metal mounting bracket, 1 filter cartridge, tubing, and quick connect fittings.

**F041253-001**  
**\$ 440**

VersaFilter III kit. Complete filter kit for Universal style drinking fountains as well as EBF and SBF bottle filler models.

VersaFilter III kit is available **factory-installed** on these models below:

KEPWEBFF  
 KEPWSBFF  
 KEP8ACT-EBFF-GRY  
 KEP8ACT-EBFF-STN  
 KEP8AC-SBFF-GRY  
 KEP8AC-SBFF-STN

**F041145-001**  
**\$ 249**

Replacement VersaFilter III filter.



### Galaxi replacement filter for drinking fountains purchased prior to 2023

The Galaxi® drinking fountain filter provides optimum filtration of chlorine, bad taste, odour, lead, sediment and cysts. The activated carbon with a cellulose-free synthetic fiber matrix performs as a sediment filter and a carbon block. It selectively removes dangerous contaminants from drinking water while maintaining water pH balance. Reduces chlorine and articles in accordance with ANSI/NSF STD 42. Reduces cysts and lead in accordance with ANSI/NSF STD 53. Additional phosphate beads inhibit scale for hard water and hot water applications. No carbon fines are released into the water stream.

**F037116-101**  
**\$ 249**

## Drinking fountain replacement parts



### Bubbler replacement parts

**030774-006**

Dial-a-drink plastic bubbler.

**\$ 399**



### Bubbler replacement parts

**032799-005**

One piece bubbler with flexible bubbler guard, regulated, for KEP-series.

**\$ 292**



### Bubbler replacement parts

**035607-108**

One piece flexibile bubbler valve, non-regulated, for KEPAC-series.

**\$ 145**



# Drain Parts & Fittings



## 3 1/2" (89 mm) waste fittings



### **Stainless steel basket strainer 1140**

3 1/2" (89 mm) all metal basket strainer assembly. Type 304 stainless steel construction complete with 1 1/2" x 3" (38 x 76 mm) brass tailpiece. Pull up crumb cup. Certified to ASME A112.18.2-2005/CSA B125.2-2005.

**\$ 39**



### **Stainless steel grid strainer accessory, type 316, vandal-resistant 1140G**

Grid accessory for 3 1/2" (89 mm) basket strainer. Replaces crumb cup on 1140, 1140F-316 or the 1120-316 waste assembly to create a vandal-resistant grid waste assembly. Type 316 stainless steel construction. Certified to ASME A112.18.2-2005/CSA B125.2-2005.

**\$ 44**



### **Stainless steel basket strainer, type 316 1140F-316**

3 1/2" (89 mm) basket strainer in type 316 stainless steel construction, with 1 1/2" x 3" (38 x 76 mm) Type 316 stainless steel tailpiece. Pull up crumb cup. Certified to ASME A112.18.2-2005/CSA B125.2-2005.

**\$ 139**



## 1 1/2" (38 mm) waste fittings



**Duplex waste with rubber stopper**  
**100**

1 1/2" (38 mm) DN38 duplex stainless steel waste complete with 1 1/2 x 3" (38 x 76 mm) brass tailpiece. Rubber stopper with pull up ring.

**\$ 27**



**Duplex waste in type 316 stainless steel with rubber stopper**  
**200-316**

1 1/2" (38 mm) DN38 duplex type 316 stainless steel waste complete with 1 1/2 x 3" (38 x 76 mm) type 316 stainless steel tailpiece. Rubber stopper with pull up ring.

**\$ 80**



**Stainless steel grid strainer**  
**100-NR**

1 1/2" (38 mm) vandal-resistant grid waste fitting, type 302 stainless steel, complete with with 1 1/2 x 3" (38 x 76 mm) stainless steel tailpiece.

**\$ 196**



**Integral waste assembly, type 316**  
**1047**

1 1/2" (38 mm) integral waste assembly. Complete with type 316 stainless steel shank, shank gasket, brass shank nut, brass tailpiece nut, and nylon tailpiece gasket.

**\$ 39**



**Integral waste cover for 1 1/2" (38mm) drain**  
**100-1-302**

1 1/2" (38 mm) perforated stainless steel grid waste cover for 1 1/2" drain.

**\$ 36**



**Stainless steel standpipe, 10" long**  
**310-1**

Standpipe for 1 1/2" (38 mm) waste in type 304 stainless steel. 10" (254 mm) long.

**\$ 72**



**Stainless steel standpipe, 12" long**  
**312-1**

Standpipe for 1 1/2" (38 mm) waste in type 304 stainless steel. 12" (304 mm) long.

**\$ 77**

## 1 1/4" (32 mm) waste fittings



**Grid strainer with overflow**  
**3700**

1 1/4" (32 mm) grid strainer with overflow and removable tailpiece. Certified to ASME A112.18.2-2005/CSA B125.2-2005.

**\$ 75**



**Grid strainer no overflow**  
**3719**

1 1/4" (32 mm) grid strainer with removable tailpiece. Certified to ASME A112.18.2-2005/CSA B125.2-2005.

**\$ 75**

## Drain Parts & Fittings



**Type 316 stainless steel tailpiece**  
**315-9-316**

1 1/2 x 3" (38 x 76 mm) type 316 stainless steel tailpiece.

**\$ 37**



**Specialty waste fitting, drain cover**  
**WHB5222-PW**

Replacement stainless steel pyramid-shaped waste cover for WHB5222-7 basin.

**\$ 113**



**Overflow kit for laundry sinks**  
**OF100**

Components for laundry sink overflow assembly, 3 1/2" (89 mm) waste size.

**\$ 64**

## Overflow replacement parts



### Chrome finish overflow elbow

**21020**

2 <sup>5</sup>/<sub>8</sub> x 1 <sup>1</sup>/<sub>4</sub>" (67 x 32 mm) elbow with flat washer. For use with vanity basin models with overflow: WT400C-8, WT500C-8, WT600C-8, OV1420U-5, OV1619-5, OV1317U-5, OV1418-6, OV17-5, OV17-6.

**\$ 6**



### Chrome finish overflow collar

**21021**

3 <sup>3</sup>/<sub>16</sub> x 2 <sup>1</sup>/<sub>4</sub>" (81 x 54 mm) overflow collar. For use with vanity basin models with overflow: WT400C-8, WT500C-8, WT600C-8, OV1420U-5, OV1619-5, OV1317U-5, OV1418-6, OV17-5, OV17-6.

**\$ 5**



### Overflow tubes, stainless steel, various lengths

**21100**

10" (254 mm) for OV17-6 vanity basin.

**\$ 28**

**21105**

10 <sup>1</sup>/<sub>2</sub>" (267 mm) for OWB1420U-5 undermount sink, OV1821-6 vanity basin.

**\$ 29**

**21110**

11" (279 mm) for OV1418-6 and OV1419-6 vanity basins.

**\$ 29**

**21600**

6" (152 mm) for OV1420U-5, OV1317U-5 vanity basins.

**\$ 18**

**21650**

6 <sup>1</sup>/<sub>2</sub>" (165 mm) for OV1420U-5 vanity basin.

**\$ 22**

**21750**

7 <sup>1</sup>/<sub>2</sub>" (190 mm) for OV17-5 vanity basin, WT400C-8, WT500C-8, AND WT600C-8 wall hung basins.

**\$ 24**

**21850**

8 <sup>1</sup>/<sub>2</sub>" (216 mm) for OWB1119U-5 undermount sink.

**\$ 24**

# High Security



## Franke is the exclusive Canadian distributor for I-CON systems

### **Custom solutions for retrofit and new construction**

Correctional facilities across Canada trust I-CON systems to deliver reliable, tailor-made solutions. Call Franke Commercial for a quote: 855-446-5663.

### **As much as 90% savings in parts replacement and labour**

Simple yet robust valves, sensors, solenoids mean fewer parts to keep on hand. Find out how much you can save with a free, no-obligation quote.

### **Up to 70% water savings with an I-CON system installation**

Saving water is good for the environment and good for your bottom line. Want to know how much you can save? Email us today, [commercial-info.ca@franke.com](mailto:commercial-info.ca@franke.com).

### **Get started with I-CON for your facility retrofit**

Start with one cell, or one block. We work with your facility's existing systems to provide the equipment you need to start saving on water, maintenance, and parts.



## Stainless steel fixtures for prisons, jails, and detention facilities



### Lavatory-toilet combination fixture

Combination lavatory sink with various sizes of toilets. Anti-ligature model available. Toilet features blowout flushing action. Wheelchair accessible model has integrated grab bars and withstands up to 5,000 lbs loading.



### Lavatories

Stainless steel oval or rectangular shaped basins with backsplash. Customize the controls to the needs of your facility.



### Stainless steel toilets

Floor mount or wall mount models with either siphon jet or blowout operation. Self-draining flushing rim. Fully enclosed trap. Optional top or back supply.



### Shower panels & cabinets

Stainless steel shower panels with vandal-resistant shower head. Cabinet showers available in different sizes. Slip-resistant floor.



### Urinals

Wall hung urinals with washdown action. Straddle model available. Optional back or top supply.



### TruTOUCH® touch sensors

Stainless steel vandal-resistant construction with no moving parts. Available with or without LED status indicator.

## Intelligent water conservation by I-CON



### ENVISAGE® water management software

Manage your facility with complete control over all inmate water usage. Log and monitor plumbing usage in real time. Restrict plumbing usage from individual cell fixtures to the entire facility with the tap of a finger. For safer, more efficient inspections, lockdowns, and extractions. Envisage® features an intuitive graphic interface with a map of your facility and touchscreen interface for each cell.

### NEXUS® Controllers

The NEXUS® system of controllers can operate as standalone units or as part of the ENVISAGE® water management network in your facility. Stay in complete control of your plumbing system. Options include wired or wireless communication, AC or battery power.



### Electronic valve system

I-CON's electronic valve system ensures accuracy, performance, and longevity in high grade materials designed to outlast the competition. Flush valves, lavatory valves, and shower valves that operate without diaphragms. Maximum water savings and minimal maintenance costs.

Each application has its own unique needs for fixtures, valves, sensors, solenoids, and systems.  
Call for a quote: 855-446-5663 or email us at [commercial-info.ca@franke.com](mailto:commercial-info.ca@franke.com).



# Custom solutions



## Full custom fabrication capabilities: No minimum order

Franke Commercial will custom fabricate products to meet our customers' exact specifications. Modifications can be made to most of our standard catalogue products.

All our custom fabricated products are polished to a #4 satin finish and can be made to meet the material specification you require (T304 or T316, 14 to 18 gauge). Continuous weld construction is available for pharmaceutical applications, if required.

Contact us for a quote:

- Countertops
- Topmount & Undermount Sinks
- Drainboard Sinks
- Scullery Sinks
- Wall Mount Hand Wash Stations
- Surgical Scrub Stations
- Mop Sinks
- Wall Mounted Utility Sinks



Some customers require a sink, basin, or countertop that is different from our catalog offering. This is why Franke Commercial is proud to offer custom stainless steel solutions for our customers. If you can sketch it, we can build it using our decades of experience and the quality you expect from Franke.



### **It starts with a sheet of stainless steel**

We will cut, form, weld and finish it to your exact specifications. Give us the material specifications, written spec or drawing, and Franke will deliver a certified high-quality product.

### **Sinks with integrated countertops**

Tops are available in any size and length.  
Sink bowl welded into countertop.



### **Custom-sized sinks**

We have worked with architects, designers, and engineers for decades to bring their unique designs to life.

### **Scullery & utility**

Tailor made bowl size, height, backsplash style, drainboards, and sink edge types.

### **Healthcare & pharmaceutical**

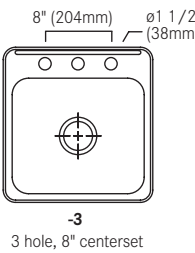
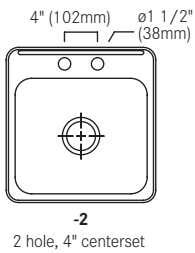
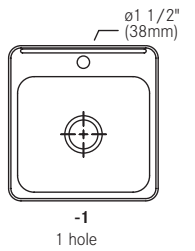
Continuous weld construction available upon specification. Custom made products that meet or exceed national healthcare standards.

### **Get a quote within 48hrs**

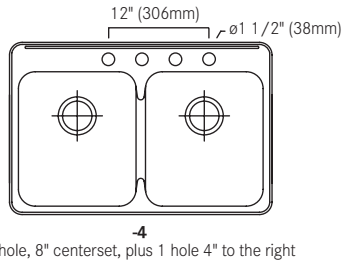
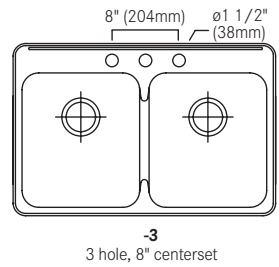
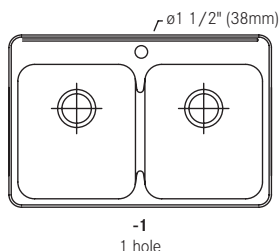
Delivered from our Canadian facility in 8 to 10 weeks' time. Need it faster? Email us at: [commercial-info.ca@franke.com](mailto:commercial-info.ca@franke.com)

# Standard hole drillings for topmount stainless steel sinks

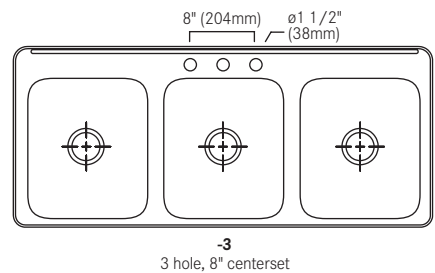
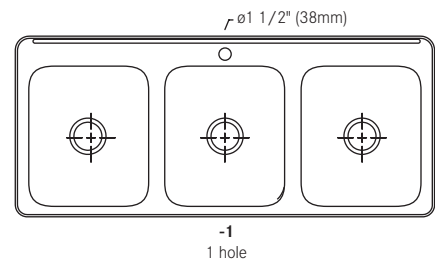
## Single bowl



## Double bowl

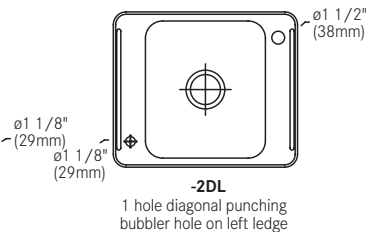
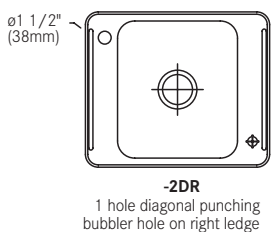
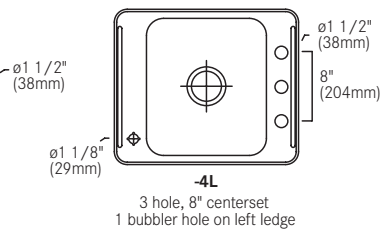
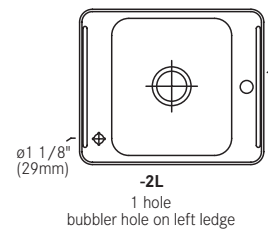
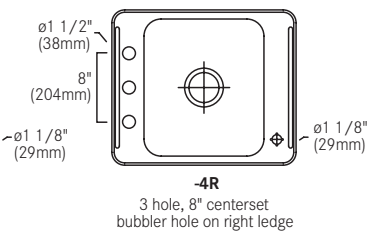
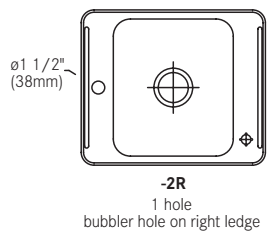


## Triple bowl

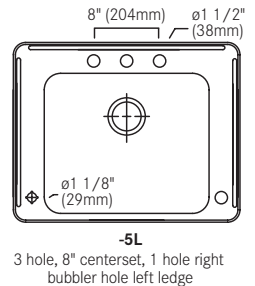
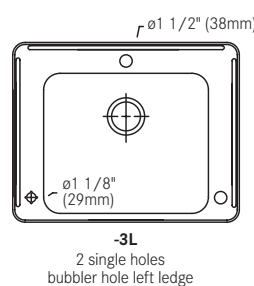
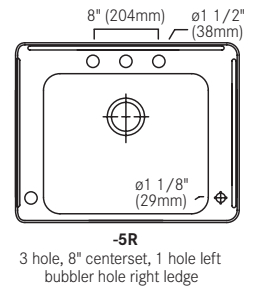
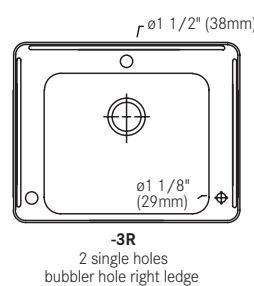


**ALRS-series classroom sinks have same hole punches as single bowl, above.**

## Classroom sinks (ALHS/LHS series)



## Classroom sinks (ALBLRS series)





# Care & Maintenance for Stainless Steel Sinks

## WHAT TO DO

Brushes with natural or plastic bristles, cotton or synthetic or micro fibre clothes, leather, sponges, pressure washer, vapour stream cleaner, toothpaste, household and window-cleaning products and natural cleaning substances like diluted vinegar (20 % vinegar / 80 % water) are ideal for cleaning stainless steel.

The best form of maintenance is frequent, regular cleanings. The best method of preventative maintenance is to ensure that the fixture is clean, dry and exposed to room atmosphere when not in use. Rinse and towel dry the fixtures daily in order to minimize major cleanups. This is of particular importance if potentially corrosive chemicals have been used.

Keep the fixture free of any standing water, which may build up mineral deposits. The quality of your water can affect the appearance and this water quality will vary from building to building.

To clean your stainless product, use the mildest cleaning procedure that will do the job effectively. On mirror finish (shiny) products we recommend using either a liquid detergent or Peek™ with a soft cloth. **DO NOT USE ABRASIVE MATERIALS ON THE MIRROR FINISH.** On satin (matte) finishes and/or inside sink bowls we recommend using a very mild abrasive cleanser such as Old Dutch® or Cameo®.

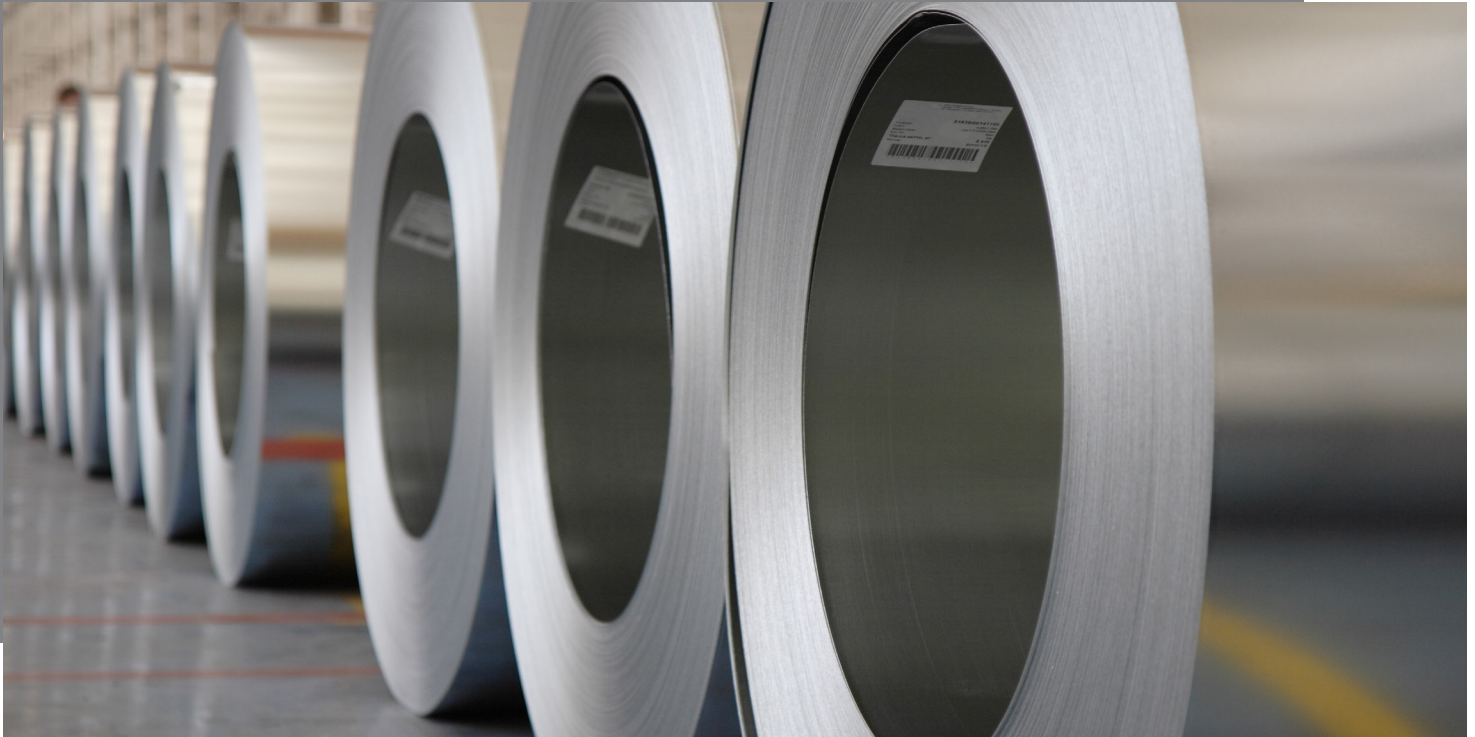
Any cleaning or scrubbing to remove stubborn stains should follow the direction of the grain line. Any scrubbing across the grain will show as a scratch. Scrubbing in the same direction as the polish lines will blend in any surface scratch. We recommend that Scotch-Brite® pads be used only on satin finishes.

Stains and water spots anywhere on the product can be removed with a small amount of Peek™ on a damp cloth. Rub Peek™ over the surface. Always rinse after using a cleaning agent, and wipe dry to discourage any water spotting.

## WHAT NOT TO DO

We recommend that you do not use chlorine bleach to clean stainless steel, as chlorine will attack the protective layer that makes stainless steel truly stainless. The risk of damage is proportional to the concentration of the chlorine and the duration of exposure between the fixture and chlorine agent. Always dilute any antibacterial product used and wipe up any spills. Note: some antibacterial soaps contain a chlorine compound.

The unique properties of stainless steel are dependent upon exposure of the surface to the atmosphere. Do not leave any utensils in a sink overnight, as they will trap water underneath or leave a residue of small iron particles which could lead to staining and discoloration of the surface. They may not even be readily visible, but they most certainly will lead to corrosion. Any signs of rust can be removed with non metallic Scotch-Brite® scouring pads, but do not scrub across the grain. For similar reasons do not leave any mild steel, or cast iron cookware or implements, anywhere on a stainless steel surface for extended periods of time. Steel wool, metallic scouring pads, abrasive, grinding and polishing powder as well as sand paper should never be used on a stainless steel surface as they can damage or scratch it.



## STAINLESS STEEL CORROSION RESISTANCE

### 20 GAUGE

18-8 stainless steel, Type 302

A good quality steel with 18% chromium and 8% nickel content. This type of stainless steel is typically used for sinks that are 8" deep or less.

### 18 GAUGE

18-10 stainless steel, Type 304

A heavier weight stainless with 18% chromium, and 10% nickel. This type of stainless steel is optimal for manufacturing deeper sink bowls.

### 16 & 14 GAUGE

Type 304

Most often used in fabrication of institutional sinks such as kitchen sculleries, wallmount utility sinks, as well as mop and service sinks.

### BOWL AND DECK FINISHES

With the exception of vanity basins, the Franke Commercial sink bowls have a #4 satin finish. A satin finish has a noticeable grain line on the inside of the bowl. This type of finish is practical, particularly in a heavy use application, as any scratches may be blended into the grain line.

The #4 satin finish deck will stand up to the rigours of time and repeated use, and the natural grain of the steel will disguise any scratches acquired from use.





## Stainless steel corrosion resistance information

Substance, Conditions, Strength and Temperature	T316	T304	T302
Acetic Anhydride (90%, aerated, 180 degrees F)	B	C	C
Aluminum Fluoride (5%, 70 degrees F)	B	C	C
Aluminum Sulfate (10%, boiling)	A	B	B
Ammonium Bromide (5%, 70 degrees F)	B	C	C
Ammonium Sulfate (10%, boiling)	A	B	B
Bleaching Powder (dry)	A	C	C
Butyric Acid (saturated, boiling)	A	B	B
Calcium Bisulfite (aqueous solution, 300 lbs. pressure, 390 degrees F)	B	C	C
Calcium Hydroxide (50%, boiling)	B	C	C
Calcium Hypochlorite (saturated, 70 degrees F)	A	C	C
Chloroacetic Acid (70 degrees F)	B	C	C
Chlorine Gas (moist, 70 degrees F)	B	C	C
Chromic Acid (50%, boiling)	B	C	C
Ferric Chloride 1%, 70 degrees F)	B	C	C
Fluosilicic Acid 90%, 70 degrees F)	B	C	C
Formic Acid (10%, 180 degrees F)	A	C	C
Hydrochloric Acid (1% or less, 70 degrees F)	B	C	C
Iodine (dry, 70 degrees F)	A	C	C
Lactic Acid (10%, 150 degrees F)	B	C	C
Mercuric Chloride (2%, 70 degrees F)	B	C	C
Oxalic Acid (2.5%, 180 degrees F)	A	C	C
Phosphoric Acid (80%, 230 degrees F)	B	C	C
Salt Brine (70 degrees F)	A	C	C
Sauerkraut Brine (70 degrees F)	A	C	C
Sodium Hydroxide (melting, 600 degrees F)	B	C	C
Stannic Chloride (5%, 70 degrees F)	B	C	C
Sulfuric Acid (5%, 100 degrees F)	A	C	C
Zinc Chloride (saturated, 70 degrees F)	B	C	C

### CHEMICAL DATA

**A** = fully resistant, **B** = fairly resistant, **C** = not resistant. The chemical data above should be used as a guide to determine the type of stainless steel that will be appropriate for the application. The rating system denotes the level of resistance to corrosion for the different types of stainless steel. For applications involving chemicals or conditions not listed, please consult Franke Commercial customer service.

Corrosion, or rusting, often reported soon after installation, has two main causes:

1. Contact Corrosion occurs when a piece of common carbon steel, copper, brass or other foreign material contacts the sink and destroys the passive protective film.
2. Pitting or Pinhole Corrosion occurs when chlorides attack the steel forming pits where galvanic cells are created. Acid chlorides are particularly severe, but even chlorine bleach can cause failure. The sink should be rinsed thoroughly after such contact. Type 316 steel should be specified if the sink will be subject to such conditions.

In the presence of oxygen, stainless steel forms a protective chromium oxide layer. This is due to the addition of chromium in excess of 11.5% during the alloying stage. The further addition of nickel, in excess of 7%, gives superior corrosion resistance to the 300 series.

Maximum corrosion resistance is obtained with the addition of molybdenum to form TYPE 316, designed to resist attack under highly corrosive conditions.



As implied, stainless steel requires oxygen in order to be stainless. There are ways to make oxygen more plentiful. For example, an acid solution which might otherwise corrode the steel, can be aerated to maintain the protective film.

# Index A Pricing

Pricing effective as of March 1, 2024

100.....	99.....	\$27	ALBS6806P-1.....	6.....	\$872	FSSOR223410-316-1.....	39.....	\$10,685
1047.....	99.....	\$39	ALBS7006P-1.....	7.....	\$947	FSSR223410-316-1.....	21.....	\$9,076
1140.....	98.....	\$39	ALBS7305P-1.....	7.....	\$974	FSSR223410-316-1.....	39.....	\$9,076
3700.....	100.....	\$75	ALBS7306P-1.....	7.....	\$991	HHF180-6L.....	72.....	\$964
3719.....	100.....	\$75	ALBS7506P-1.....	7.....	\$809	HHF180-6L-W.....	72.....	\$1,061
21020.....	101.....	\$6	ALBS7805P-1.....	7.....	\$1,177	HHF23T.....	72.....	\$935
21021.....	101.....	\$5	ALBS7806P-1.....	7.....	\$1,193	HWF05.....	48.....	\$4,032
21100.....	101.....	\$28	ALBS9405P-1.....	6.....	\$704	HWF23.....	48.....	\$4,075
21105.....	101.....	\$29	ALBS9406P-1.....	6.....	\$757	HWF43.....	48.....	\$4,297
21110.....	101.....	\$29	ALHS4606P-1.....	14.....	\$678	HWS0610P-3.....	58.....	\$919
21600.....	101.....	\$18	ALHS7306P-1.....	14.....	\$939	HWS1414P-00.....	56.....	\$2,805
21650.....	101.....	\$22	ALRS4606P-1.....	14.....	\$678	HWS1420P-00.....	57.....	\$4,434
21750.....	101.....	\$24	ART36-1.....	14.....	\$2,188	HWS1821-I-3.....	69.....	\$9,381
21850.....	101.....	\$24	ART36-316-1.....	19.....	\$3,600	HWS6810P-3.....	58.....	\$1,234
100-1-302.....	99.....	\$36	ART36-316-3C.....	19.....	\$3,600	HWS-RS-00.....	56.....	\$486
100-NR.....	99.....	\$196	ART36-3C.....	14.....	\$2,188	HWSS1518P-00.....	56.....	\$2,644
1140F-316.....	98.....	\$139	ART48-1.....	14.....	\$2,439	HWSS2321W-00.....	47.....	\$5,109
1140G.....	98.....	\$44	ART48-316-1.....	19.....	\$3,956	IWC2104.....	49.....	\$479
200-316.....	99.....	\$80	ART48-316-3C.....	19.....	\$3,956	IWC2203.....	57.....	\$454
310-1.....	99.....	\$72	ART48-3C.....	14.....	\$2,439	LBD0814P-1.....	10.....	\$4,702
312-1.....	99.....	\$77	ART60-1.....	14.....	\$2,900	LBD1308P-1.....	10.....	\$1,085
315-9-316.....	100.....	\$37	ART60-316-1.....	19.....	\$4,306	LBD4408P-1.....	10.....	\$1,273
AC01-005.....	49.....	\$700	ART60-316-3C.....	19.....	\$4,306	LBD4410P-1.....	10.....	\$1,674
AC01-005.....	71.....	\$700	ART60-3C.....	14.....	\$2,900	LBD6407-1.....	9.....	\$602
AHWSS1720W-00.....	50.....	\$2,168	AS6105P-1.....	4.....	\$789	LBD6408-1.....	9.....	\$725
AHWSS1720W-G.....	51.....	\$2,380	AT02-005AC.....	71.....	\$1,513	LBD6408-316P-1.....	17.....	\$1,883
AHWSS1720WIS-00.....	52.....	\$2,519	AT02-005AC-LF.....	71.....	\$1,513	LBD6408P-1.....	10.....	\$1,037
AHWSS1720WIS-AL.....	52.....	\$2,739	AT02-005DC.....	71.....	\$1,578	LBD6410-316PCB-1.....	17.....	\$2,244
AHWSS1720W-T.....	51.....	\$2,443	AT02-005DC-LF.....	71.....	\$1,578	LBD6410PCB-1.....	10.....	\$1,489
ALBD1305P-1.....	10.....	\$1,054	AWHB1414P-7MOD.....	57.....	\$7,545	LBD6808-1.....	9.....	\$973
ALBD4405P-1.....	10.....	\$1,237	AWHB2220W-3.....	61.....	\$1,436	LBD7310P-1.....	10.....	\$2,570
ALBD4406P-1.....	10.....	\$1,254	AWHBS2419-7.....	60.....	\$1,804	LBD7508-1.....	9.....	\$991
ALBD6405-1.....	9.....	\$754	CL-DB.....	29.....	\$1,376	LBD7508P-1.....	10.....	\$1,450
ALBD6405P-1.....	10.....	\$1,005	CM-16104.....	73.....	\$466	LBD7510P-1.....	10.....	\$1,922
ALBD6406P-1.....	10.....	\$1,021	CM-16104-WM.....	73.....	\$466	LBDBL6408P-1.....	13.....	\$4,253
ALBD7505P-1.....	10.....	\$1,413	D0814P-1.....	8.....	\$4,461	LBDDR6408P-1.....	13.....	\$4,253
ALBD7506P-1.....	10.....	\$1,428	D1906-1.....	8.....	\$691	LBS1306-1.....	5.....	\$392
ALBDC182605P-1.....	10.....	\$1,337	D6408-1.....	8.....	\$684	LBS1308P-1.....	6.....	\$737
ALBLRS7006P-1.....	14.....	\$939	D6410-316PCB-1.....	17.....	\$2,100	LBS2708-1.....	5.....	\$476
ALBS1305P-1.....	6.....	\$526	DL2448-1.....	28.....	\$5,362	LBS2708P-1.....	6.....	\$830
ALBS1306P-1.....	6.....	\$526	DL2448-5.....	28.....	\$5,689	LBS4008P-1.....	6.....	\$896
ALBS2706P-1.....	6.....	\$817	FSS151509-316-1.....	21.....	\$4,860	LBS4010P-1.....	6.....	\$1,187
ALBS4005P-1.....	6.....	\$859	FSS151509-316-1.....	39.....	\$4,860	LBS4408P-1.....	6.....	\$798
ALBS4006P-1.....	6.....	\$879	FSS2210-316-1.....	22.....	\$10,417	LBS4410P-1.....	6.....	\$1,092
ALBS4405P-1.....	6.....	\$763	FSS2210-316-1.....	39.....	\$10,417	LBS4607-1.....	5.....	\$572
ALBS4406P-1.....	6.....	\$779	FSS22210-316-1.....	21.....	\$7,104	LBS4607-316P-1.....	16.....	\$1,008
ALBS4605P-1.....	6.....	\$788	FSS22210-316-1.....	39.....	\$7,104	LBS4608P-1.....	6.....	\$623
ALBS4606P-1.....	6.....	\$842	FSSL223410-316-1.....	21.....	\$9,076	LBS4610-316P-1.....	16.....	\$1,224
ALBS6105P-1.....	6.....	\$974	FSSL223410-316-1.....	39.....	\$9,076	LBS4610P-1.....	6.....	\$859
ALBS6106P-1.....	6.....	\$991	FSSO2210-316-1.....	22.....	\$10,417	LBS6108P-1.....	6.....	\$974
ALBS6406P-1.....	6.....	\$872	FSSO2210-316-1.....	39.....	\$10,417	LBS6110P-1.....	6.....	\$1,231
ALBS6805-1.....	5.....	\$532	FSSOL223410-316-1.....	22.....	\$10,685	LBS6407-316P-1.....	16.....	\$1,103
ALBS6805-316P-1.....	16.....	\$684	FSSOL223410-316-1.....	39.....	\$10,685	LBS6408P-1.....	6.....	\$660
ALBS6805P-1.....	6.....	\$854	FSSOR223410-316-1.....	22.....	\$10,685	LBS6410PCB-1.....	6.....	\$840

## Index

LBS6807-1.....	5.....	\$349
LBS6807-2.....	5.....	\$396
LBS6807-316P-1.....	16.....	\$1,090
LBS6808-1.....	5.....	\$445
LBS6808-2.....	5.....	\$486
LBS6808-316P-1.....	16.....	\$1,187
LBS6808P-1.....	6.....	\$536
LBS6810-1.....	5.....	\$769
LBS6810-316P-1.....	16.....	\$1,305
LBS6810-316P-3.....	16.....	\$1,305
LBS6810P-1.....	6.....	\$880
LBS7008P-1.....	7.....	\$968
LBS7308-1.....	5.....	\$712
LBS7308P-1.....	7.....	\$1,011
LBS7310P-1.....	7.....	\$1,298
LBS7312P-1.....	7.....	\$1,493
LBS7314P-1.....	7.....	\$2,894
LBS7508-1.....	5.....	\$545
LBS7508P-1.....	7.....	\$827
LBS7808P-1.....	7.....	\$1,209
LBS8014P-1.....	7.....	\$2,809
LBS9106-1.....	5.....	\$336
LBS9407-1.....	5.....	\$502
LBS9407-316P-1.....	16.....	\$784
LBS9407-316P-3.....	16.....	\$784
LBS9408P-1.....	6.....	\$772
LBSDBL6408P-1.....	13.....	\$3,322
LBSDBL6810-316P-1.....	18.....	\$4,259
LBSDBL6810P-1.....	13.....	\$3,420
LBSDBR6408P-1.....	13.....	\$3,322
LBSDBR6810-316P-1.....	18.....	\$4,259
LBSDBR6810P-1.....	13.....	\$3,420
LBT6407CB-1.....	11.....	\$1,502
LBT6410PCB-1.....	11.....	\$2,706
LBT8610P-1.....	11.....	\$3,210
LHS4608P-1.....	14.....	\$623
MEDI-MIX.....	49.....	\$371
MEDI-SHR.....	49.....	\$940
MIX-LF.....	72.....	\$335
OC6-316.....	20.....	\$391
OF100.....	100.....	\$64
OV1317U-5.....	45.....	\$614
OV1418-6.....	41.....	\$431
OV1420U-5.....	45.....	\$676
OV1619-5-1.....	42.....	\$506
OV1619-5-3.....	42.....	\$506
OV1619-6-1.....	42.....	\$464
OV1619-6-3.....	42.....	\$464
OV17-5.....	41.....	\$499
OV17-6.....	41.....	\$437
OV1821-5-1.....	43.....	\$534
OV1821-5-3.....	43.....	\$534
OV1821-6-1.....	43.....	\$480
OV1821-6-3.....	43.....	\$480

OV18SR-6.....	45.....	\$431
OV18SR-7.....	45.....	\$431
OWB1119U-5.....	44.....	\$531
OWB1420U-5.....	44.....	\$725
RC6-316.....	20.....	\$396
RDL2436-1.....	34.....	\$8,014
RDL2436L-1.....	34.....	\$9,253
RDL2436LR-1.....	34.....	\$10,491
RDL2436R-1.....	34.....	\$9,253
RDL2448-1.....	34.....	\$8,634
RDL2448L-1.....	34.....	\$9,871
RDL2448LR-1.....	34.....	\$11,109
RDL2448R-1.....	34.....	\$9,871
RSL2418-1.....	33.....	\$5,261
RSL2418L-1.....	33.....	\$6,500
RSL2418LR-1.....	33.....	\$7,736
RSL2418R-1.....	33.....	\$6,500
RSL2424-1.....	33.....	\$5,538
RSL2424L-1.....	33.....	\$6,777
RSL2424LR-1.....	33.....	\$8,014
RSL2424R-1.....	33.....	\$6,777
RTL2454-1.....	35.....	\$12,348
RTL2454L-1.....	35.....	\$13,585
RTL2454LR-1.....	35.....	\$14,823
RTL2454R-1.....	35.....	\$13,585
RTL2472-1.....	35.....	\$12,968
RTL2472L-1.....	35.....	\$14,203
RTL2472LR-1.....	35.....	\$15,439
RTL2472R-1.....	35.....	\$14,203
S4206-1.....	4.....	\$418
S6407-316P-1.....	16.....	\$1,155
S6408-1.....	4.....	\$418
S6410PCB-1.....	4.....	\$742
S6808-1.....	4.....	\$434
S6808-316P-1.....	16.....	\$1,156
S6810-1.....	4.....	\$742
S6810-316P-1.....	16.....	\$1,468
S7308-1.....	4.....	\$670
S7314P-1.....	4.....	\$2,476
S8014P-1.....	4.....	\$2,519
S9106-1.....	4.....	\$336
S9407-316P-1.....	16.....	\$715
SD01-001CFL.....	74.....	\$872
SD01-001CFL-MF.....	75.....	\$758
SD01-001SFL.....	74.....	\$854
SD01-001SFL-MF.....	75.....	\$740
SD01-002CF.....	74.....	\$768
SD01-002CF-MF.....	75.....	\$654
SD01-002SF.....	74.....	\$748
SD01-002SF-MF.....	75.....	\$634
SD01-003CFL.....	74.....	\$888
SD01-003CFL-MF.....	75.....	\$776
SD01-003SFL.....	74.....	\$907
SD01-003SFL-MF.....	75.....	\$795

## A Pricing

SD01-MFT.....	75.....	\$563
SD80V-EXT.....	73.....	\$457
SDL2436-1.....	31.....	\$7,758
SDL2436L-1.....	31.....	\$8,953
SDL2436LR-1.....	31.....	\$10,150
SDL2436R-1.....	31.....	\$8,953
SDL2448-1.....	31.....	\$8,355
SDL2448L-1.....	31.....	\$9,554
SDL2448LR-1.....	31.....	\$10,752
SDL2448R-1.....	31.....	\$9,554
SL2424-1.....	28.....	\$3,207
SL2424-316-1.....	19.....	\$6,480
SL2424-316-5.....	19.....	\$6,830
SL2424-5.....	28.....	\$3,335
SL2448-1.....	28.....	\$4,389
SL2448-316-1.....	19.....	\$9,807
SL2448-316-5.....	19.....	\$10,684
SL2448-5.....	28.....	\$4,550
SSL2418-1.....	30.....	\$4,759
SSL2418L-1.....	30.....	\$5,960
SSL2418LR-1.....	30.....	\$7,158
SSL2418R-1.....	30.....	\$5,960
SSL2424-1.....	30.....	\$5,362
SSL2424L-1.....	30.....	\$6,558
SSL2424LR-1.....	30.....	\$7,758
SSL2424R-1.....	30.....	\$6,558
SSS1827.....	26.....	\$16,573
SSS1827DDS.....	27.....	\$22,011
SSS1827SDSL.....	26.....	\$17,810
SSS1827SDSR.....	27.....	\$17,810
SSU1-00.....	54.....	\$9,013
SSU1-10.....	55.....	\$9,862
SSU1-2016-00.....	53.....	\$11,789
SSU1-2016-3.....	53.....	\$11,199
SSU1-2020-00.....	53.....	\$12,125
SSU1-2020-3.....	53.....	\$11,519
SSU2-00.....	54.....	\$13,027
SSU2-10.....	55.....	\$15,226
SSU2-2040-00.....	53.....	\$16,506
SSU2-2040-3.....	53.....	\$15,680
SSU3-00.....	54.....	\$18,604
SSU3-10.....	55.....	\$21,999
STL2454-1.....	32.....	\$9,554
STL2454L-1.....	32.....	\$10,752
STL2454LR-1.....	32.....	\$11,949
STL2454R-1.....	32.....	\$10,752
STL2472-1.....	32.....	\$12,546
STL2472L-1.....	32.....	\$13,749
STL2472LR-1.....	32.....	\$14,943
STL2472R-1.....	32.....	\$13,749
T6410PCB-1.....	11.....	\$2,588
TL2454-1.....	29.....	\$6,279
TL2454-5.....	29.....	\$6,789
TL2472-1.....	29.....	\$7,783

# Index A Pricing

Pricing effective as of March 1, 2024

TL2472-5.....	29.....	\$8,256	WSL2418LR-1.....	36.....	\$8,825
UCD6405P-1.....	12.....	\$963	WSL2418R-1.....	36.....	\$7,461
UCD6408P-1.....	12.....	\$1,009	WSL2424-1.....	36.....	\$6,782
UCS4608-316P-1.....	18.....	\$1,075	WSL2424L-1.....	36.....	\$8,143
UCS4610-316P-1.....	18.....	\$1,346	WSL2424LR-1.....	36.....	\$9,505
UCS6105P-1.....	12.....	\$754	WSL2424R-1.....	36.....	\$8,143
UCS6805P-1.....	12.....	\$746	WSS6713.....	68.....	\$7,182
UCS6808P-1.....	12.....	\$789	WT310E-7.....	63.....	\$942
V1114-5.....	41.....	\$298	WT400C-7.....	63.....	\$1,238
V1114-5D.....	41.....	\$311	WT400C-8.....	63.....	\$1,571
V1418-5.....	41.....	\$366	WT500C-7.....	64.....	\$1,387
V1418-5D.....	41.....	\$366	WT500C-8.....	64.....	\$1,723
V1418-6.....	41.....	\$366	WT600C-7.....	65.....	\$1,502
V1619-5-1.....	42.....	\$431	WT600C-8.....	65.....	\$1,833
V1619-5-3.....	42.....	\$431	WTL2454-1.....	38.....	\$14,957
V1619-6-1.....	42.....	\$441	WTL2454L-1.....	38.....	\$16,322
V1619-6-3.....	42.....	\$441	WTL2454LR-1.....	38.....	\$17,685
V17-5.....	41.....	\$403	WTL2454R-1.....	38.....	\$16,322
V17-5D.....	41.....	\$412	WTL2472-1.....	38.....	\$15,640
V17-6.....	41.....	\$420	WTL2472L-1.....	38.....	\$17,002
V1821-5-1.....	43.....	\$461	WTL2472LR-1.....	38.....	\$18,366
V1821-5-3.....	43.....	\$461	WTL2472R-1.....	38.....	\$17,002
V1821-6-1.....	43.....	\$459	WT-RS.....	65.....	\$842
V1821-6-3.....	43.....	\$459	WTS2025-1.....	25.....	\$4,258
WB1119U-5.....	44.....	\$487	WTS2031-1.....	25.....	\$4,470
WB1420U-5.....	44.....	\$681	WTS2036-1.....	25.....	\$5,499
WDL2436-1.....	37.....	\$9,065	WTS2048-1.....	25.....	\$5,707
WDL2436L-1.....	37.....	\$10,366	WTS2060-1.....	25.....	\$6,053
WDL2436LR-1.....	37.....	\$11,668	WTS2072-1.....	25.....	\$6,350
WDL2436R-1.....	37.....	\$10,366	WTS2096-1.....	25.....	\$6,876
WDL2448-1.....	37.....	\$9,716	WTS36-1.....	25.....	\$4,907
WDL2448L-1.....	37.....	\$11,017	WTS48-1.....	25.....	\$5,088
WDL2448LR-1.....	37.....	\$12,318	WTS60-1.....	25.....	\$5,397
WDL2448R-1.....	37.....	\$11,017	WTS72-1.....	25.....	\$5,667
WHB1616-3.....	66.....	\$946			
WHB1617-3.....	66.....	\$1,222			
WHB1617-316-3.....	20.....	\$1,823			
WHB1617-6.....	66.....	\$1,359			
WHB1617-7.....	66.....	\$1,196			
WHB1716SPL-3.....	68.....	\$1,389			
WHB1819-3.....	67.....	\$1,290			
WHB1819-316-3.....	20.....	\$1,856			
WHB1819-6.....	67.....	\$1,374			
WHB1819-7.....	67.....	\$1,257			
WHB2221-7.....	62.....	\$1,392			
WHB2221-8.....	62.....	\$1,392			
WHB2221-RS.....	62.....	\$362			
WHB2221-UC.....	62.....	\$271			
WHB5222-7.....	60.....	\$3,592			
WHB5222-PW.....	100.....	\$113			
WHB5222-RS.....	60.....	\$679			
WHBS181910-3.....	68.....	\$3,016			
WSL2418-1.....	36.....	\$6,098			
WSL2418L-1.....	36.....	\$7,461			

# Index B Pricing

Pricing effective as of March 1, 2024

## Drinking fountains and bottle fillers

030774-006 .....	97 .....	\$399	KEPAC-EBQ-GRY .....	78 .....	\$4,437
032799-005 .....	97 .....	\$292	KEPAC-EBQ-STN.....	78 .....	\$4,734
035607-108.....	97 .....	\$145	KEPAC-GRY.....	90 .....	\$1,496
F037116-101.....	97 .....	\$249	KEPAC-SBF-GRY .....	85 .....	\$3,171
F041145-001.....	97 .....	\$249	KEPAC-SBF-STN .....	85 .....	\$3,476
F041253-001 .....	97 .....	\$440	KEPACSL-EBF-GRY.....	88 .....	\$4,051
KE041208-101.....	90 .....	\$1,065	KEPACSL-EBF-STN.....	88 .....	\$4,711
KE041208-301 .....	91 .....	\$2,809	KEPACSL-EBQ-GRY .....	79 .....	\$5,787
KEF100-STN.....	94 .....	\$1,251	KEPACSL-EBQ-STN.....	79 .....	\$6,082
KEF110PM-STN.....	94 .....	\$2,366	KEPACSL-GRY.....	91 .....	\$2,020
KEM8-SBF-STN.....	83 .....	\$10,406	KEPACSL-SBF-GRY .....	88 .....	\$3,871
KEM8SBPM-STN .....	94 .....	\$5,485	KEPACSL-SBF-STN.....	88 .....	\$4,652
KEM8WR-EBF-STN.....	83 .....	\$9,878	KEPAC-STN.....	90 .....	\$1,710
KEMW8EBF-STN .....	82 .....	\$8,407	KEPCM-GRY .....	94 .....	\$1,074
KEMW8EBQ-STN .....	82 .....	\$4,585	KEPV8AC-EBF-STN.....	86 .....	\$6,078
KEMW8SBF-STN .....	82 .....	\$6,396	KEPV8AC-SBF-STN.....	86 .....	\$4,070
KEMWEBF-STN.....	82 .....	\$7,017	KEPV8ACSL-14G .....	92 .....	\$8,744
KEMWSM8EBF-STN.....	82 .....	\$9,302	KEPV8ACSL-EBF-STN .....	87 .....	\$8,164
KEMWSM8SBF-STN.....	82 .....	\$7,200	KEPV8ACSL-SBF-STN.....	87 .....	\$4,249
KEMWSMEBF-STN.....	82 .....	\$7,912	KEPV8ACSL-STN.....	92 .....	\$4,491
KEMWSMSBF-STN .....	82 .....	\$5,954	KEPV8AC-STN.....	92 .....	\$2,883
KEP10CP-GRY .....	93 .....	\$2,483	KEPVAC-EBF-STN.....	86 .....	\$5,334
KEP3CP-GRY .....	93 .....	\$2,196	KEPVAC-SBF-STN.....	86 .....	\$3,283
KEP5CP-GRY .....	93 .....	\$2,293	KEPVACSL-EBF-STN.....	87 .....	\$6,863
KEP8AC-EBF-GRY .....	84 .....	\$3,939	KEPVACSL-SBF-STN.....	87 .....	\$3,972
KEP8AC-EBF-STN.....	84 .....	\$4,280	KEPWEBF .....	80 .....	\$1,772
KEP8AC-EBQ-GRY .....	78 .....	\$6,213	KEPWEBFF.....	80 .....	\$1,949
KEP8AC-EBQ-STN.....	78 .....	\$6,509	KEPWEBQ.....	77 .....	\$3,876
KEP8AC-GRY.....	90 .....	\$1,770	KEPWSBF.....	80 .....	\$1,445
KEP8AC-SBFF-GRY.....	85 .....	\$3,530	KEPWSBFF.....	80 .....	\$1,599
KEP8AC-SBFF-STN .....	85 .....	\$4,160	KEPWSMEBF-STN.....	81 .....	\$2,443
KEP8AC-SBF-GRY .....	85 .....	\$3,353	KEPWSMEBQ-STN.....	77 .....	\$4,103
KEP8AC-SBF-STN.....	85 .....	\$4,038	KEPWSMSBF-STN.....	81 .....	\$2,168
KEP8ACSL-EBF-GRY.....	88 .....	\$6,242	KER12.....	95 .....	\$2,802
KEP8ACSL-EBF-STN .....	88 .....	\$6,316	KER1P.....	95 .....	\$1,473
KEP8ACSL-EBQ-GRY.....	79 .....	\$7,562	KER5 .....	95 .....	\$1,969
KEP8ACSL-EBQ-STN .....	79 .....	\$7,856	KER8.....	95 .....	\$2,468
KEP8ACSL-GRY.....	91 .....	\$3,310			
KEP8ACSL-SBF-GRY .....	88 .....	\$5,162			
KEP8ACSL-SBF-STN.....	88 .....	\$5,452			
KEP8ACSL-STN.....	91 .....	\$3,565			
KEP8ACSLT-GRY .....	91 .....	\$7,336			
KEP8ACSLT-STN .....	91 .....	\$7,691			
KEP8AC-STN .....	90 .....	\$1,992			
KEP8ACT-EBFF-GRY.....	84 .....	\$6,307			
KEP8ACT-EBFF-STN .....	84 .....	\$6,811			
KEP8ACT-EBF-GRY .....	84 .....	\$6,130			
KEP8ACT-EBF-STN.....	84 .....	\$6,634			
KEP8ACT-GRY.....	90 .....	\$3,398			
KEP8ACT-STN .....	90 .....	\$4,387			
KEP8M-STN.....	93 .....	\$3,070			
KEPAC-EBF-GRY .....	84 .....	\$3,679			
KEPAC-EBF-STN.....	84 .....	\$3,997			



# Terms & Conditions

---

## GENERAL

- Products may only be sold and advertised within North America. Franke hereby expressly prohibits the dealer from soliciting or consummating sales outside of North America without prior written consent.
- Products shall only be sold in their original packaging. Relabeling, repackaging (including the separation of bundled products or the bundling of separate products), and other alterations are not permitted.
- Sale of Franke products on the Internet shall be prohibited unless resellers apply and are approved by Franke Home Solutions North America, LLC, and execute an Authorized Internet Reseller Agreement regulating the manner in which they sell online.

## ORDERING

- Once an order has been acknowledged, no changes (including additions or cancellations) will be accepted within 48 hours prior to shipping.
- Order acknowledgments are available via email. An email address must be provided to receive this benefit.
- Standard lead time for shipment of product in stock, inside Ontario and Quebec is five to ten (5-10) business days from receipt of order.

## STANDARD PAYMENT TERMS

- Net 30 days.
- Franke reserves the right to charge interest and an administration fee on late payments.

## PRICING

- Please refer to the electronically published price list (EPL). Orders will be priced with the prevailing price at the time the order is placed.
- Prices are subject to change without notice. Franke will attempt to provide reasonable lead time for pricing changes.

## CLAIMS / CHARGE BACKS

- Damages/Shortages must be reported within ten (10) days of receipt of merchandise.
- Charge backs will not be accepted without an authorization number (RMA), provided by a National Sales Manager, or Customer Service.

## RETURNS

- No returns will be accepted without a return authorization number (RMA).
- Return authorization requests must be submitted through National Account Manager or Customer Service
- A 25% restocking fee will be charged for ALL returns of product that was not damaged or mis-shipped.
- A 40% (or more) restocking fee will be charged for unsaleable product needing re-work ie. boxes.
- Quality related issues can be returned with no restocking fee. Inspection and prior authorization required before shipping.
- No returns will be accepted more than 90 days from original invoice date.
- No returns will be accepted on discontinued (DWO) or obsolete product.
- Franke reserves the right to refuse returns without reason.

## BACK ORDERS

- Back order shipments will match terms in place by individual accounts.
- Back ordered product will be considered an active order unless customer requests cancellation.

## Terms & Conditions

---

### **FRANKE HOME SOLUTIONS WARRANTY EFFECTIVE SEPTEMBER 1, 2022**

In the United States, Canada and Latin America, Franke warrants the products from manufacturing defects in material and workmanship when purchased from Franke or a Franke Authorized Retailer pursuant to product-specific warranties detailed herein (each, a “Warranty” and collectively, the “Warranties”). The products must be properly installed, per company’s installations instructions, in its original installation, and used in normal indoor residential kitchen applications. Any products or components which have been modified or altered, from its original intended condition will void the warranty. The Franke Warranties are limited to the original purchaser and are non-transferrable. These Warranties do not include products purchased from non-Authorized Retailers, products that are obsolete or discontinued, or products that were previous display models. All issues with installed products are considered warranty claims and not subject to the Return Policy. Franke reserves the right to inspect any product reported to be defective and the original installation prior to providing a replacement product and/or component. All decisions are final. In no situation shall the liability of Franke exceed the amount of the original purchase price.

The Warranties do not cover, and Franke shall not be liable for, any damage to products or components resulting from misuse or abuse, accidental damages, normal wear such as scuffs, scratches or finish reduction/fading; improper installation, abnormal usage, negligence, damage caused by improper maintenance or cleaning. Damage caused by impurities, corrosive chemicals or acts beyond Franke’s control are not covered by any Warranty.

Franke product replacements do not include transportation, shipping, diagnosis, labor, installation, removal, disposal for any products or liability for project delays. Product replacements are not guaranteed to be exact replacements. The owner of a product is liable for any transportation and re-installation costs related to any warranty for such product. If the original product is not available at the time of the warranty claim, at Franke’s option, the product replacements will be of similar size, material, and value. Any products or components which have been modified or altered, from its original intended condition will void the warranty.

The Warranties do not allow recovery of incidental or consequential damages such as loss of use, delay, property damage or other consequential damage, and Franke accepts no liability for such damages. Each Warranty is limited to the conditions set forth herein and to the applicable warranty period specified herein and is exclusive. EXCEPT FOR THE WARRANTIES SET FORTH HEREIN, FRANKE MAKES NO WARRANTY WHATSOEVER WITH RESPECT TO THE PRODUCTS, INCLUDING, BUT NOT LIMITED TO, (1) ANY WARRANTY OF MERCHANTABILITY, (2) WARRANTY OF FITNESS FOR A PARTICULAR PURPOSE, (3) WARRANTY OF TITLE, OR (4) WARRANTY AGAINST INFRINGEMENT OF INTELLECTUAL PROPERTY RIGHTS OF A THIRD PARTY, WHETHER EXPRESS OR IMPLIED BY LAW, COURSE OF DEALING, COURSE OF PERFORMANCE, USAGE OF TRADE OR OTHERWISE. LEGAL DISCLAIMER PLEASE READ CAREFULLY. Franke Home Solutions North America, LLC/Franke Kindred Canada Limited provides the above information to you as a public service to our customers. By accessing and using this information, you agree to the following and to comply with all applicable laws. If you do not agree with these terms and conditions, do not use this information. While we try to keep the information current, changes may have occurred since its creation. Contact your Regional Manager or Customer Service to verify information regarding Franke Home Solutions North America, LLC/Franke Kindred Canada programs and their use by you.

## Warranty

Every Franke Commercial product is guaranteed to be suitable for any normal purpose for which it is intended and without defects in material or workmanship for the following periods of time, provided it has been installed and maintained according to Franke Commercial instructions.

- Stainless steel topmount sinks, undermount, wall mount basins
  - 5 year warranty
- Stainless steel scullery sinks, mop and sewage sampling sinks
  - 1 year warranty
- Aquarius and Ozo-flo touch-free faucets
  - 5 year warranty on faucet body, cables & plug-in power supply (if equipped)
  - 1 year on solenoid valve
- HHF-series touch-free faucets
  - 1 year warranty on faucet body, cables & plug-in power supply (if equipped)
- Custom and fabricated products
  - 1 year warranty
- Drain fittings and waste parts
  - 1 year warranty
- Electronic water controls
  - 1 year warranty
- Solid surface wall hung sinks
  - 2 year warranty on sinks
  - 1 year warranty on electronics of Medi-flo
- Aqua-foam soap dispensers
  - 1 year warranty
- Drinking fountains, non-chilled
  - 1 year warranty
- Drinking fountains, chilled
  - 5 year warranty on sealed refrigerated systems
  - 1 year warranty on fountain part accessories



Franke Kindred Canada  
1000 Franke Kindred Road  
Midland, ON L4R 4K9  
[commercial-info.ca@franke.com](mailto:commercial-info.ca@franke.com)  
[franke.com](http://franke.com)

Franke Commercial 2024 catalog  
*Pricing effective March 1, 2024*  
Canada - English

**#61569**