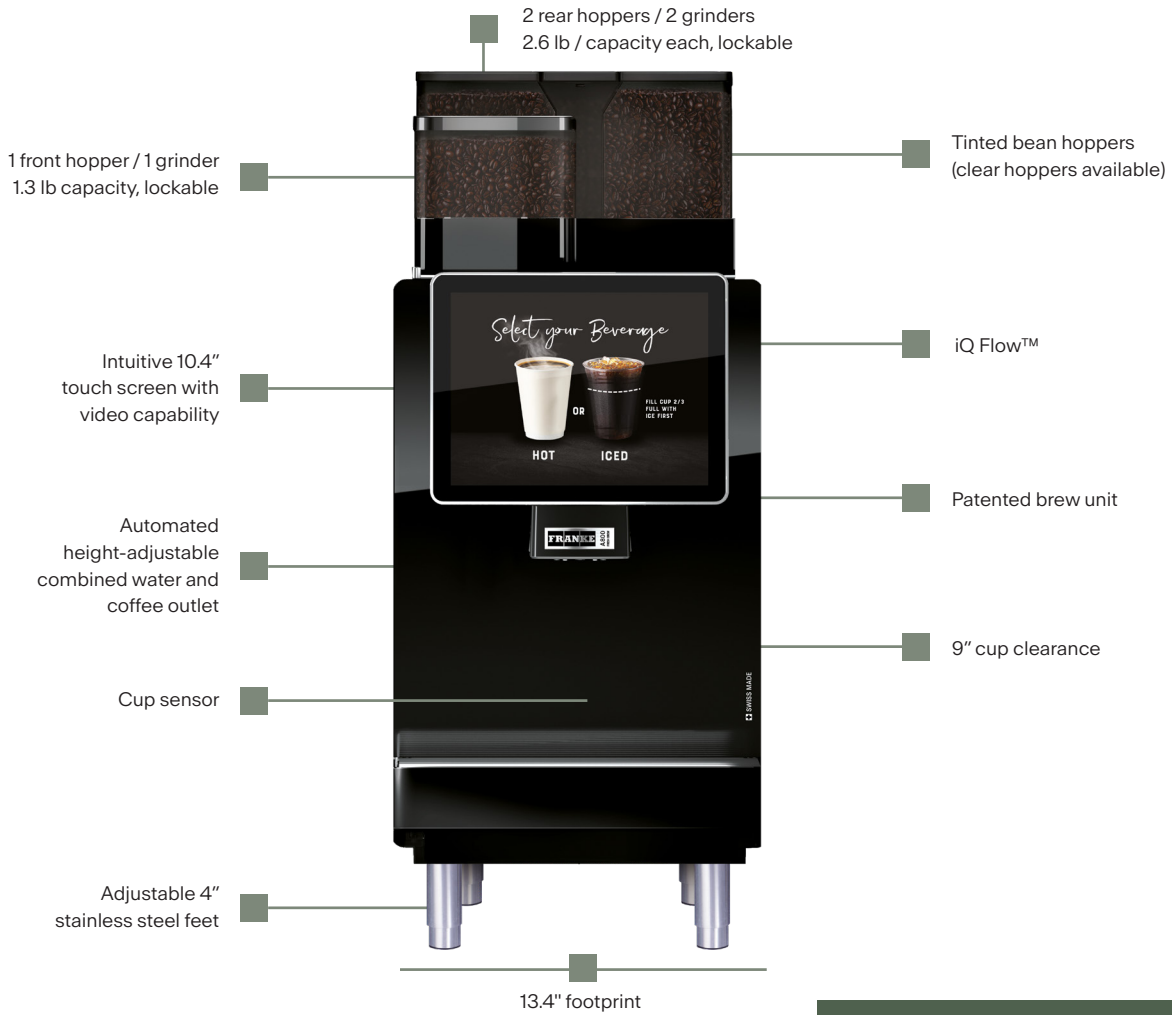




# A800 Fresh Brew



Hundreds of different coffee orders, each and every one made to the same high standard is easy with the A800 Fresh Brew. The A800 Fresh Brew, bean-to-cup solution was designed to produce every cup of coffee brewed to order, meaning better taste, less waste. With the ability to use up to 3 different bean types and choose hot or iced, everyone gets the coffee they enjoy most.

## A Better Bean-to-Cup Solution.

UNIT	CUPS PER DAY
A800 Fresh Brew	Up to 250



### EasyClean

Automatic cleaning system — perfect hygiene in just a few steps.



### Touch Screen

Simple operating concept and attractive product presentation.



### Franke Digital Services

A clear view of commercial and operational performance.

# Technical Data

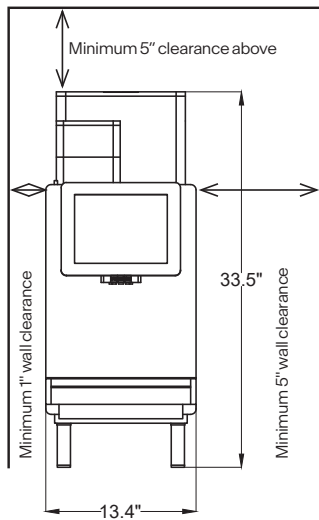
## Machine Models

Model	Specification
A800 Fresh Brew	208V (30A)
Electrical Connection	60 Hz 4.5–5.3 kW (20/30 A)
Dimensions	13.4"W x 33.5"H x 23.6"D
Weight (empty)	Approx. 135 lbs

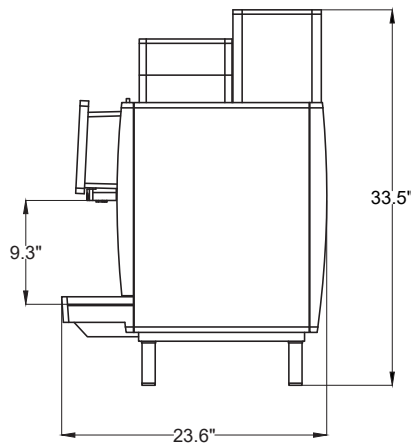


L6-30R

Standard Configuration  
Front Profile and Clearances



Side Profile




## Water quality requirements

Aroma	Fresh and pure taste, with no perceptible aroma
Color	Clear
Total Hardness	70 – 140 ppm (mg/l)
Carbonate hardness	3 – 6° dH CH (carbonate hardness)
	50 – 105 ppm (mg/l)
Acid content/ph value	6.5 – 7.5 pH
Chlorine content	< 0.5 mg/l
Chloride content	< 30 mg/l
TDS	30 – 150 ppm (mg/l)
(Total dissolved solids)	
Electrical conductivity	50 – 200 µS/cm (microsiemens)
Iron Content	< 0.3 mg/l
Water pressure	80 – 800 kPa (0.8 – 8 bar)
Flow rate	> 0.1 l/sec
Water temperature	< 25°C

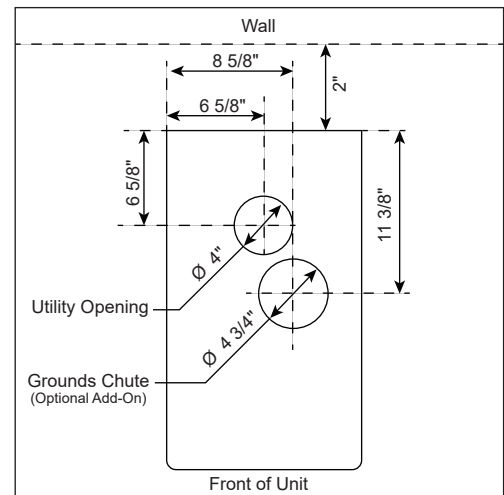
## Water connection and drain

Water connection	3/8" compression fitting, L = 59"
Drain hose	Dia = 0.75"; L = 78.7"

## Digital services connectivity requirements

OPTION 1	
Ethernet/LAN Recommended Option	Connectivity Requirements Ethernet/LAN
 <p>Internet connection provided to machine over LAN/Ethernet Cable</p>	MQTT Port 8883
	NTP Port 123
	HTTPS Port 443
	MQTT Websockets Port 443/ Port 444
OPTION 2 Additional costs may apply	OPTION 3 Limitations may apply
Franke Connection KIT Cellular/ WiFi (Modem)	3rd Party Cellular Modem/ WiFi
<p><b>Mobile:</b> Private APN (Roaming partner) 4G</p> <p>2 x LAN ports to connect</p> <p>Modem connects up to 2 machines</p> <p>Wifi capability upon request</p>	<p><b>Mobile:</b> Cellular or WiFi connection</p> <p>Customer provides modem</p>
Customer is responsible for all connectivity.	

Utility and Grounds Chute Openings



Franke Kaffeemaschinen AG

cs-info.ch@franke.com

Franke Coffee Systems GmbH

cs-info.de@franke.com

Franke Coffee Systems Americas

cs-coffeesales.us@franke.com

Franke Coffee Systems UK

sales@frankecoffeesystems.co.uk

us.coffee.franke.com